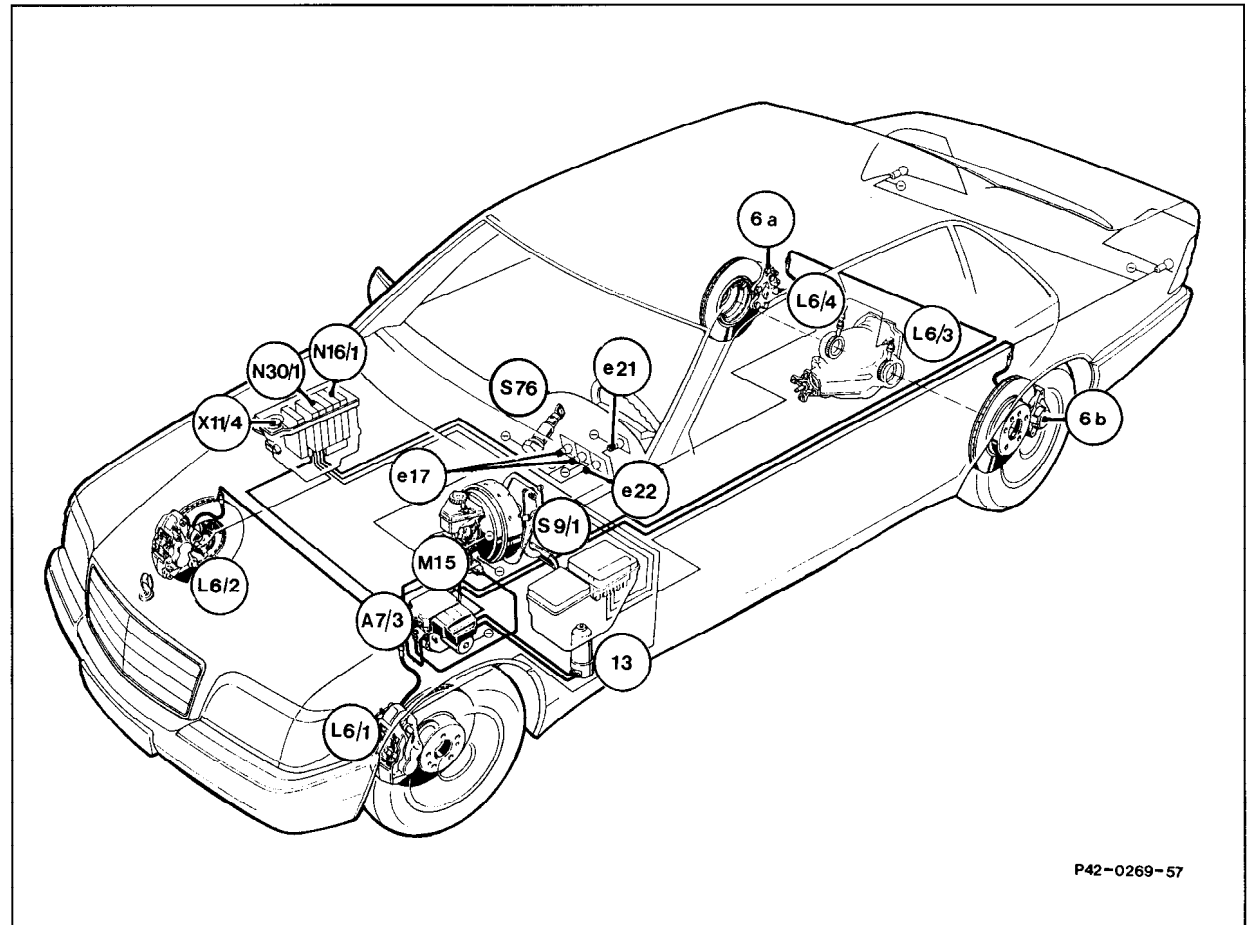


Hydraulic Test Program - Component Locations

Shown on Model 140

Figure 1

- 6a Right rear brake caliper
- 6b Left rear brake caliper
- 13 Pressure reservoir
- Model 129.063/067:** Located on right side of engine compartment
- A1e17 ABS MIL
- A1e21 ASR warning lamp
- A1e22 ASR MIL
- A7/3 ABS/ASR hydraulic unit
- L6/1 Left front axle VSS sensor
- L6/2 Right front axle VSS sensor
- L6/3 Left rear axle VSS sensor
- L6/4 Right rear axle VSS sensor
- M15 ASR charging pump
- N16/1 Base module (BM)
- N30/1 ABS/ASR control module
- S9/1 Stop lamp switch
- S76 ASR snow chain switch (with indicator)
- X11/4 Data link connector



P42-0269-57

P42-0269-57