

Hydraulic Test Program - Preparation for Test

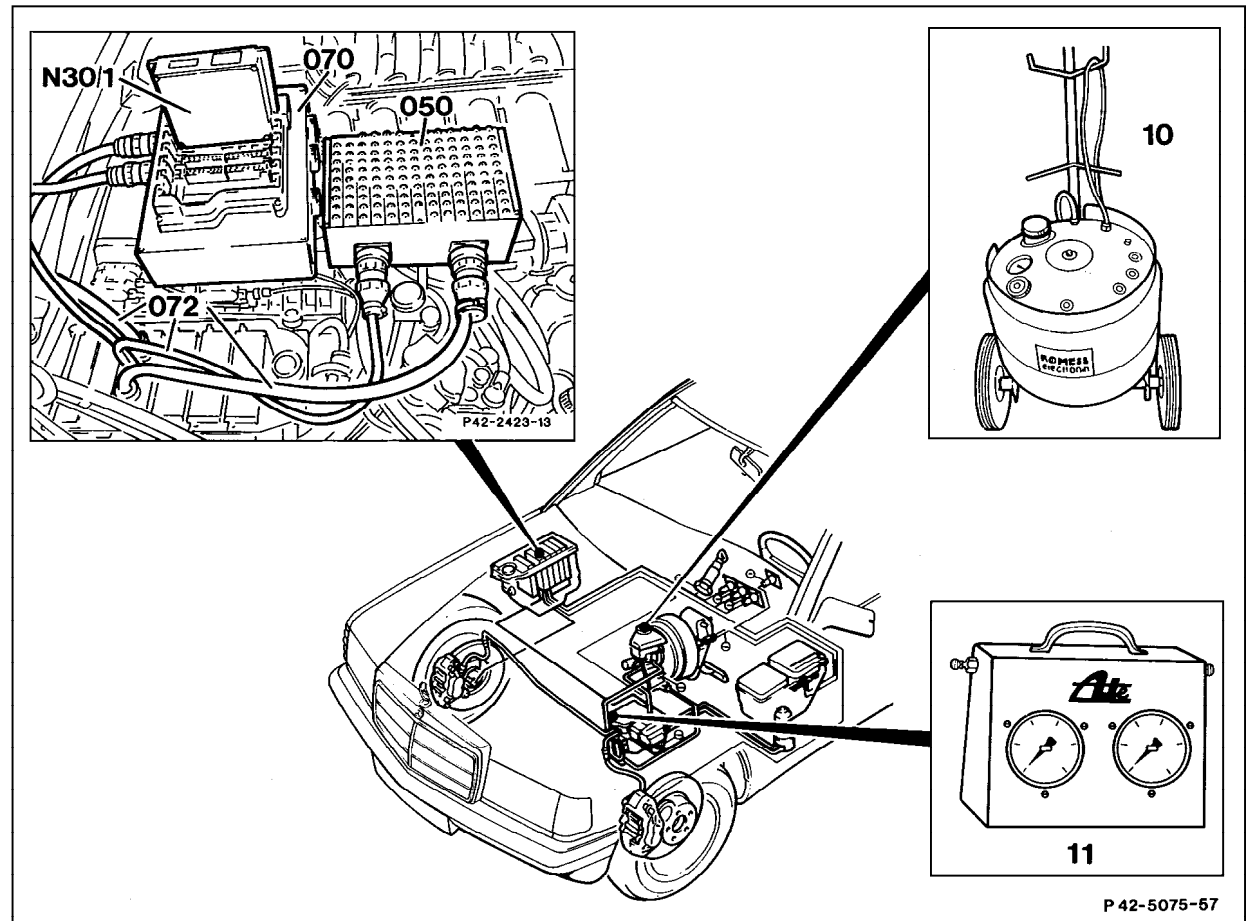


Figure 1

- 050 Socket box, (126-pole)
- 070 Contact box
- 072 Contact module 2
- 10 Brake bleeder
- 11 Pressure tester
- N30/1 ABS/ASR control module

P 42-5075-57

P42-5075-57

Hydraulic Test Program - Preparation for Test

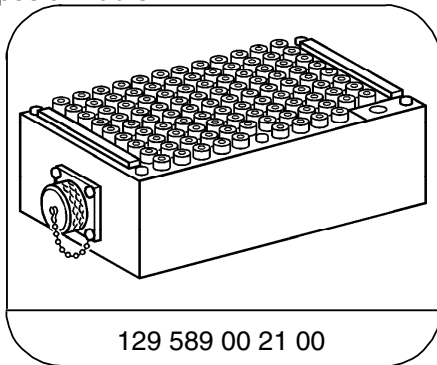
1. Connect brake bleeder.
2. Release system pressure. Ignition: **OFF**. Open vent screw "SP" on ABS/ASR hydraulic unit (A7/3) and allow contents of pressure reservoir to drain into container for brake fluid.
3. Connect pressure tester to "SP" on ABS/ASR hydraulic unit (A7/3).

WARNING!

A hydraulic oil system pressure tester may not be used on a brake fluid system. The mineral oil in the tester will mix with the brake fluid and result in brake failure!

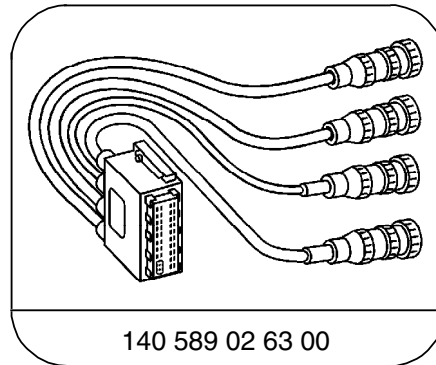
4. Ignition: **OFF**.
5. Disconnect ABS/ASR control module (N30/1).
6. Connect socket box with contact module 2 according to connection diagram (only needed for ⇒ 1.0).
7. Release system pressure by opening vent screw (d) on pressure tester (11).
8. Upon completion of test, load pressure reservoir (connect N30/1 and Engine: **at Idle** until reservoir is full), and then correct fluid level in brake fluid reservoir.

Special Tools



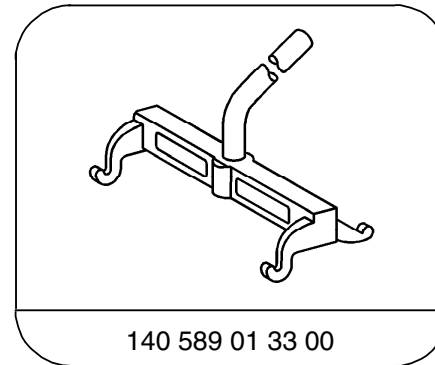
129 589 00 21 00

126-pin socket box



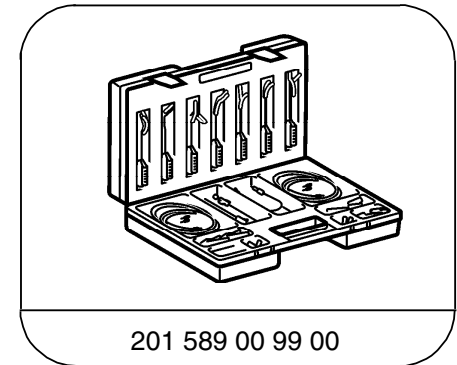
140 589 02 63 00

Contacting module 2



140 589 01 33 00

Mounting lever



201 589 00 99 00

Electrical connecting set

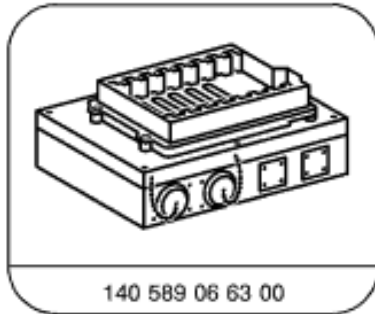
Hydraulic Test Program - Preparation for Test

Special Tools



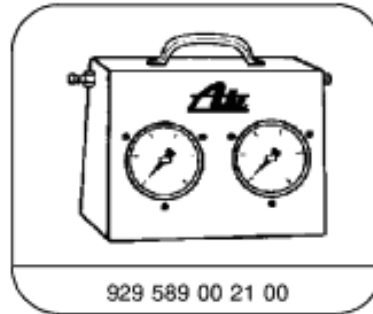
140 589 10 33 00

Spacer



140 589 06 63 00

Contacting box



929 589 00 21 00

Pressure tester

Equipment

Brake bleeder ¹⁾	Ammco model 7301 with adaptor no. 7309
-----------------------------	--

¹⁾ Available through the MBUSA Standard Equipment Program.

Hydraulic Test Program - Preparation for Test

Connection Diagram - Pressure Tester
 ABS/ASR hydraulic unit (A7/3) connection "SP"

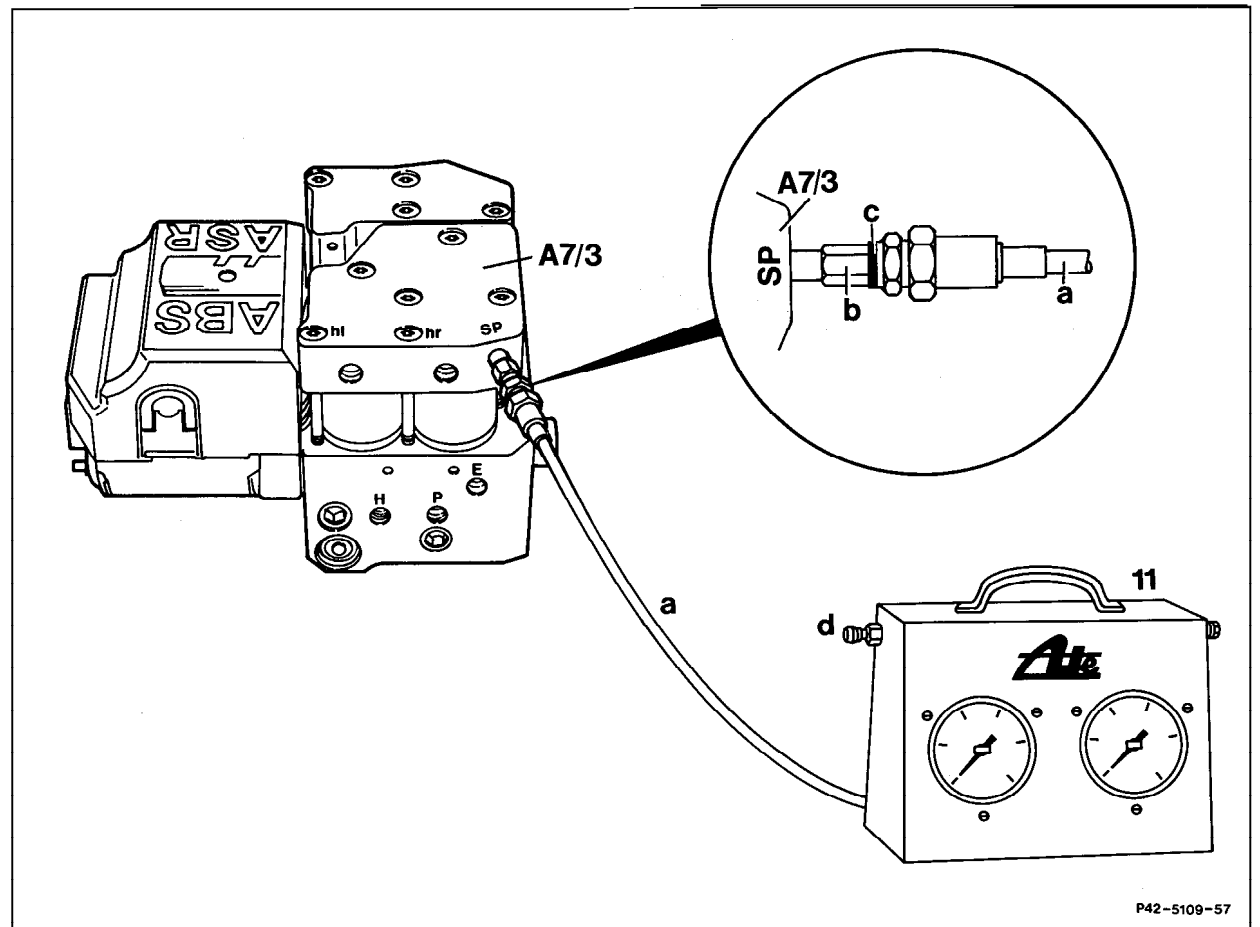


Figure 2

- A7/3 ABS/ASR hydraulic unit
- 11 Pressure tester
- a Hose
- b Adaptor
- c Seal
- d Vent screw

P42-5109-57

P42-5109-57

Hydraulic Test Program - Preparation for Test

Connection Diagram - Socket Box
Model 124 (only needed for ⇒ 1.0)

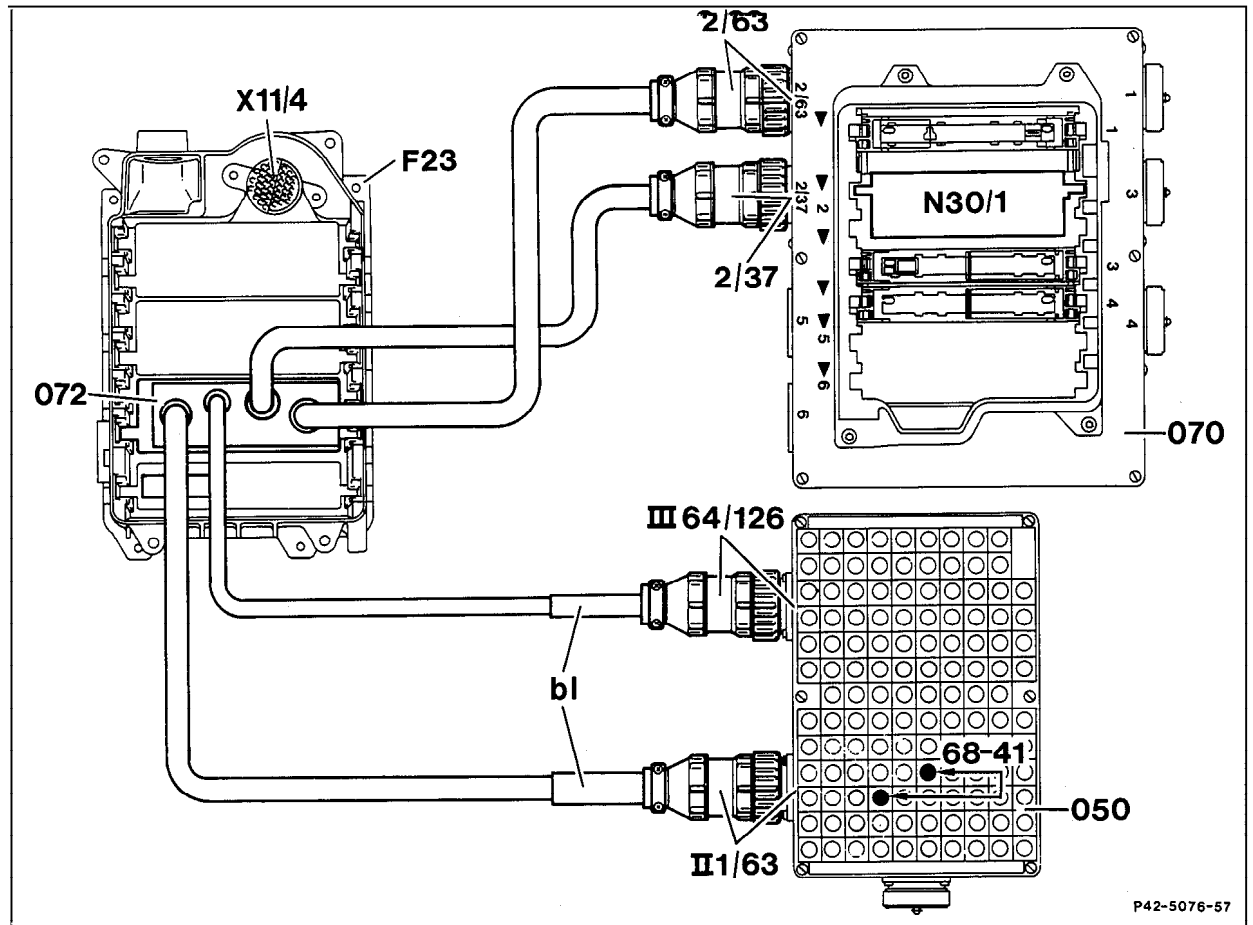


Figure 3

- 050 Socket box, (126-pole)
- 072 Contact module 2
- F23 Module box
- X11/4 Data link connector
- bl blue

P42-5076-57

P42-5076-57

Hydraulic Test Program - Preparation for Test

Connection Diagram - Socket Box
Model 129 (only needed for ⇒ 1.0)

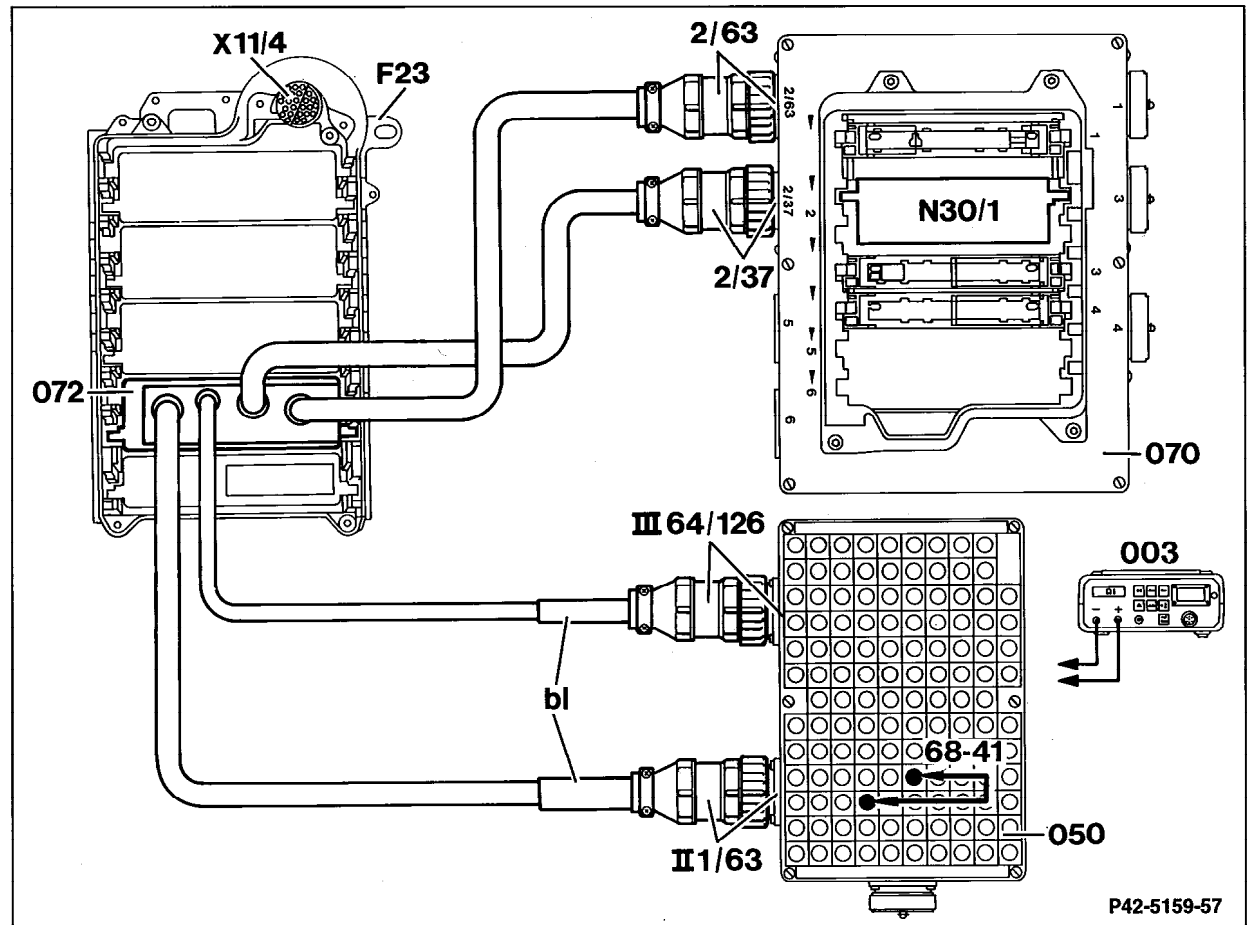


Figure 4

- 050 Socket box, (126-pole)
- 072 Contact module 2
- F23 Module box
- X11/4 Data link connector
- bl blue

P42-5159-57

Hydraulic Test Program - Preparation for Test

Connection Diagram - Socket Box
Model 140 (only needed for ⇒ 1.0)

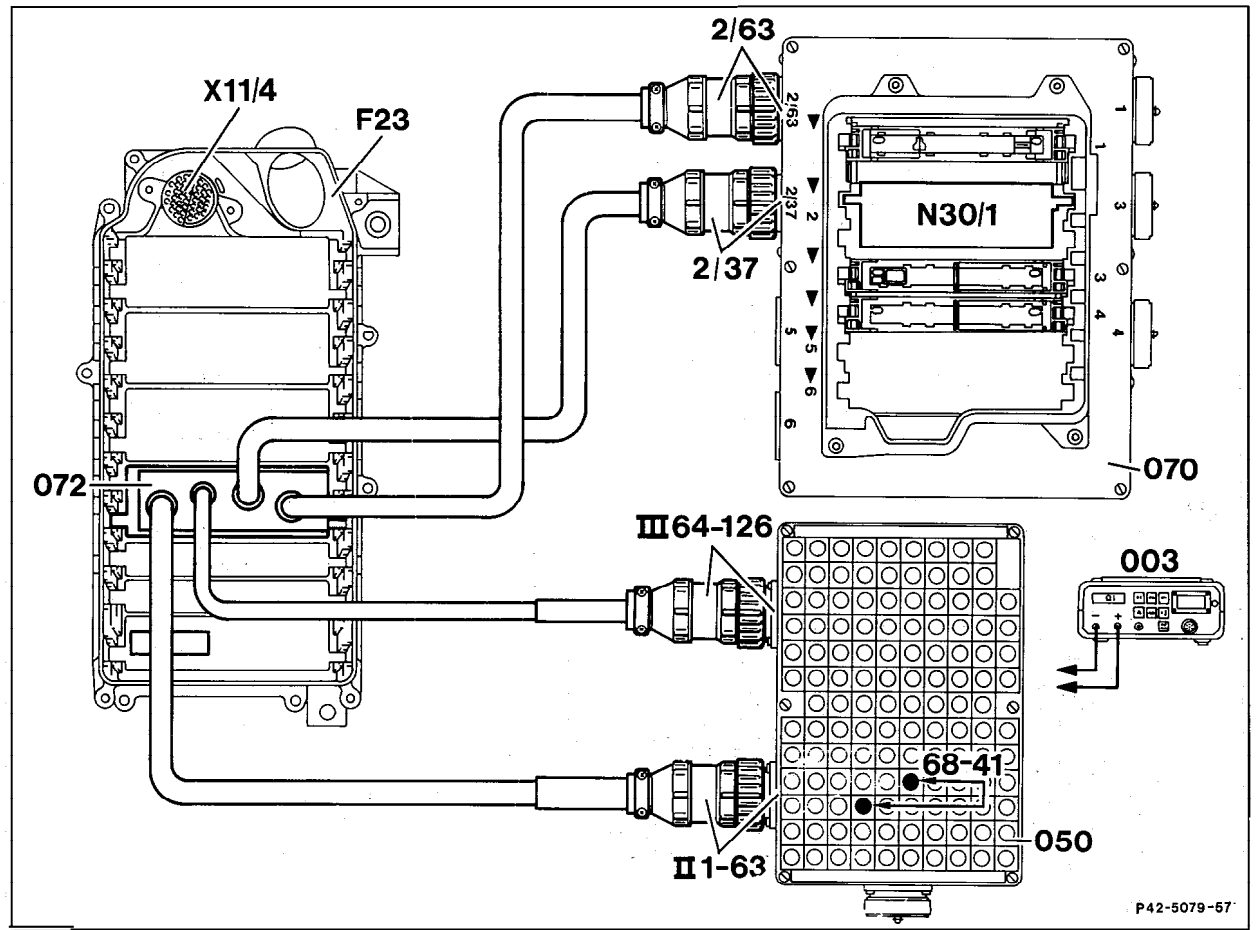


Figure 5

- 050 Socket box, (126-pole)
- 072 Contact module 2
- F23 Module box
- X11/4 Data link connector
- bl blue

P42-5079-57

P42-5079-57