
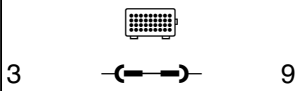


Hydraulic Test Program - Test

Test step	Test scope	Test connection	Test condition	Nominal value	Possible cause/Remedy
⇒ 1.0	ASR charging pump (M15) with ASR charging pump relay module (K20)	 20 bar at hydraulic line "PA". 	Ignition: ON (Maximum 60 seconds)	7 – 15 bar	Wiring, Hydraulic line connections leaking, K20, M15.

Hydraulic Test Program - Test

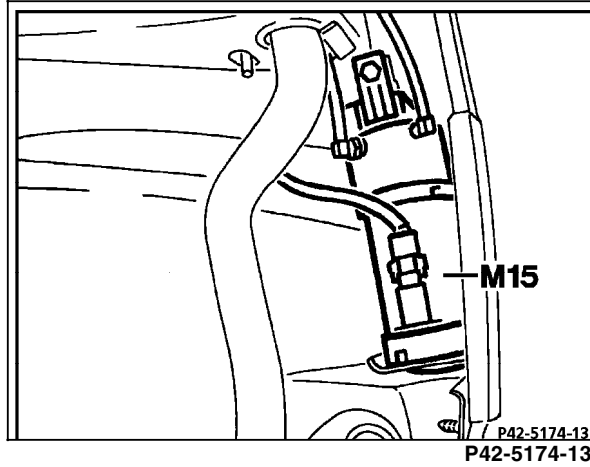


Figure 1

M15 ASR charging pump

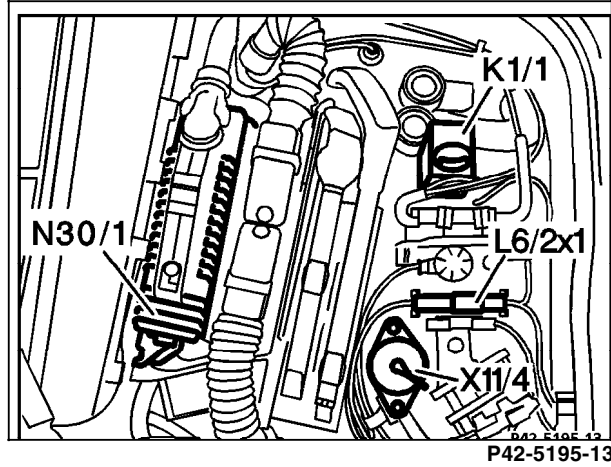


Figure 2

N30/1 ABS/ASR control module

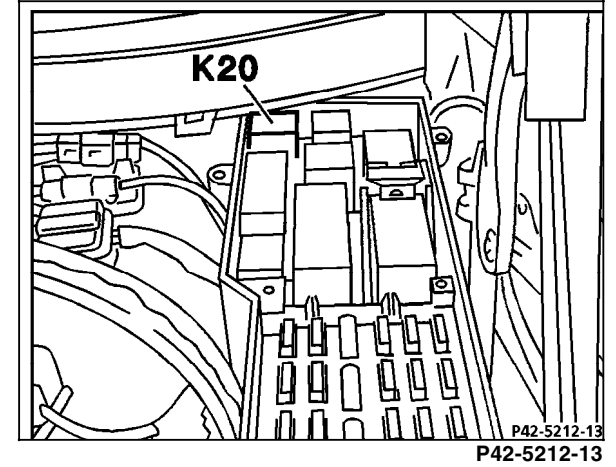


Figure 3

K20 ASR charging pump relay module