

Mechanical Test Program - Component Locations

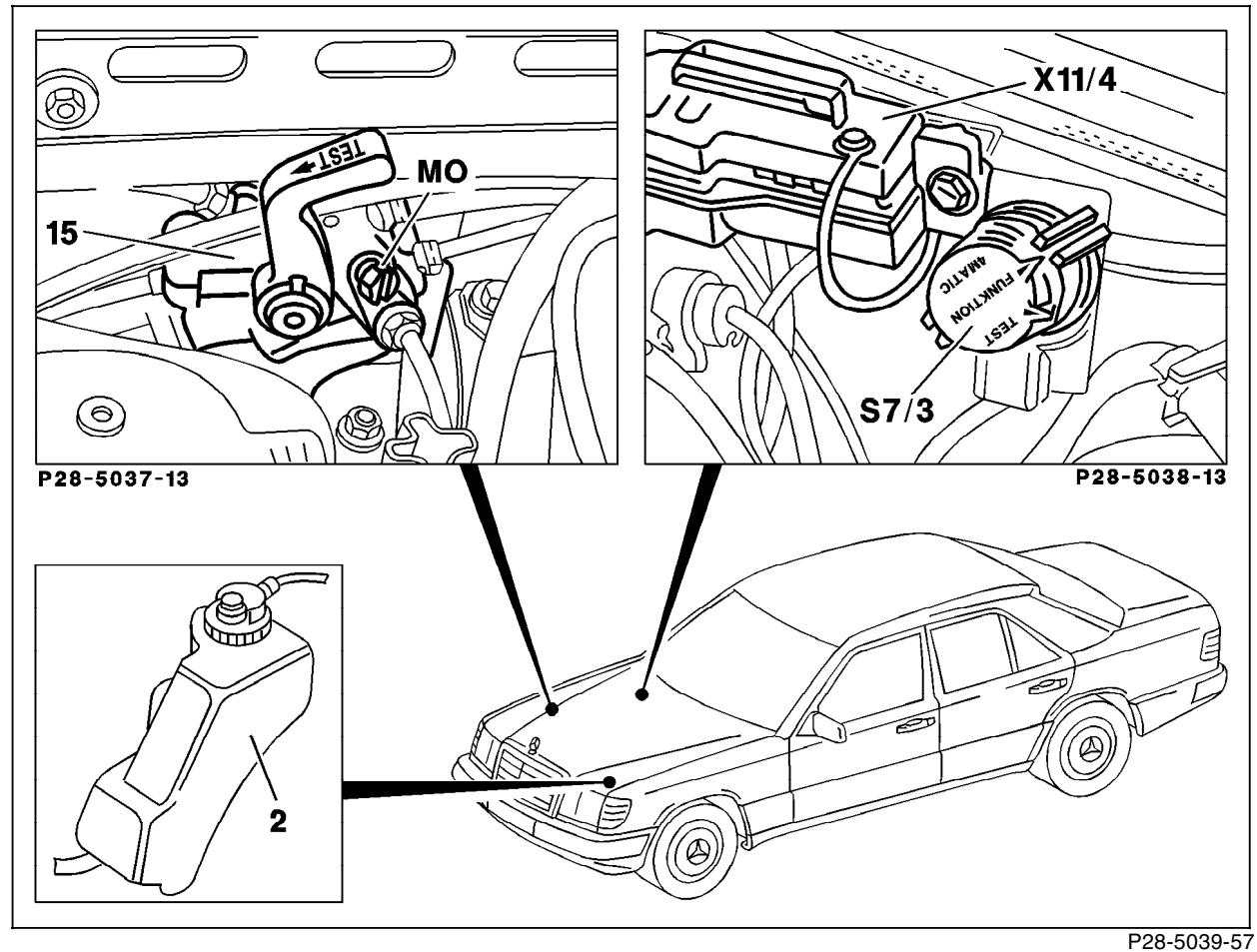


Figure 1

- 2 Oil reservoir
- 15 Service valve (up to 04/91)
- S7/3 4MATIC function/test selection switch

P28-5039-57