

Mechanical Test Program - Preparation for Test

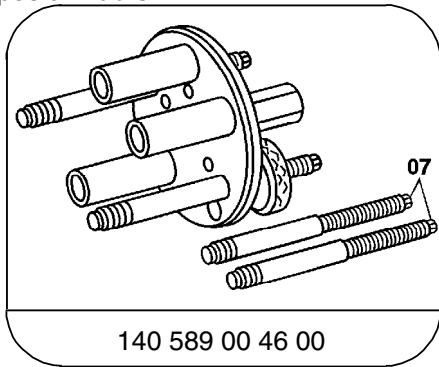
Preliminary work:
 Diagnosis - Diagnostic Trouble Code (DTC) Memory 12
 Electrical Test Program 23

1. Ignition: **OFF**
2. Disconnect harness from 4MATIC control module (N30/3).
3. Connect socket box (126-pole) according to connection diagram.

Wiring Diagrams

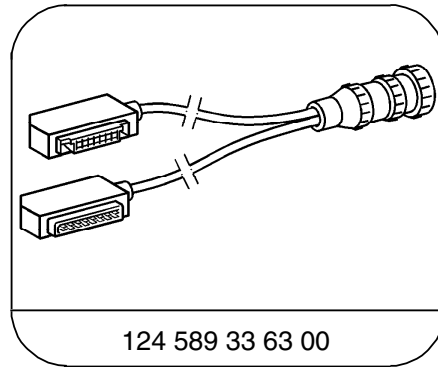
Electrical Troubleshooting Manual, Models 124 and 201 Starting Model Year 1984.

Special Tools



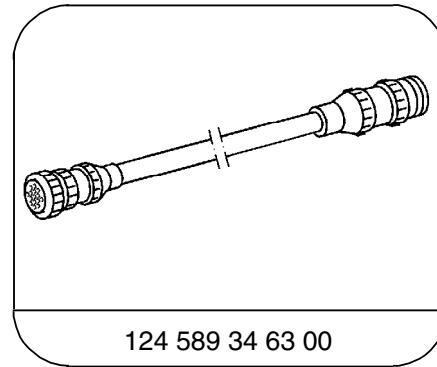
140 589 00 46 00

Drive flange



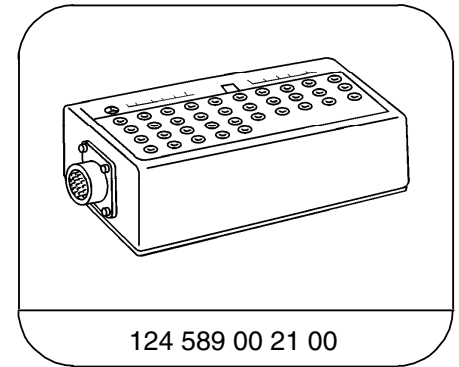
124 589 33 63 00

Test cable



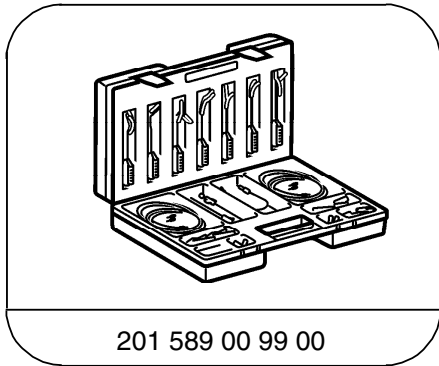
124 589 34 63 00

Extension



124 589 00 21 00

35-pin socket box



201 589 00 99 00

Electrical connecting set

Mechanical Test Program - Preparation for Test

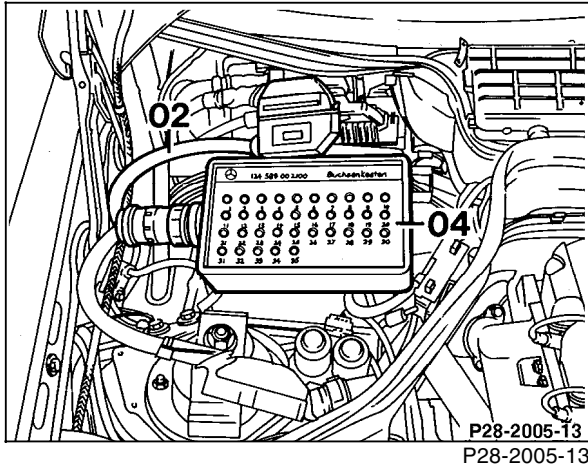


Figure 1

- 02 Test cable, (25-pole)
- 04 Socket box

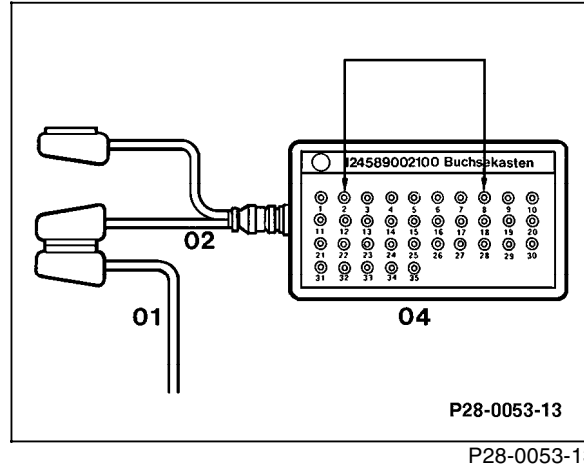


Figure 2

- 01 Connector disconnected from 4MATIC control module
- 02 Test cable, (25-pole)
- 04 Socket box

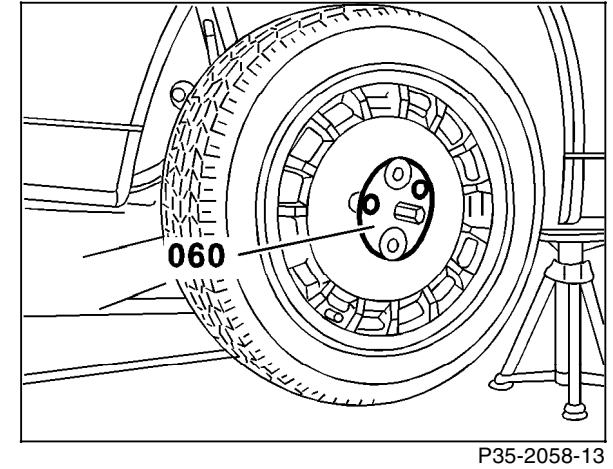


Figure 3

- 060 Torque measurement adaptor