

10.4 Electronic Stability Program (ESP)

Electrical Test Program – ETS/ESP Hydraulic Component Locations

Model 163

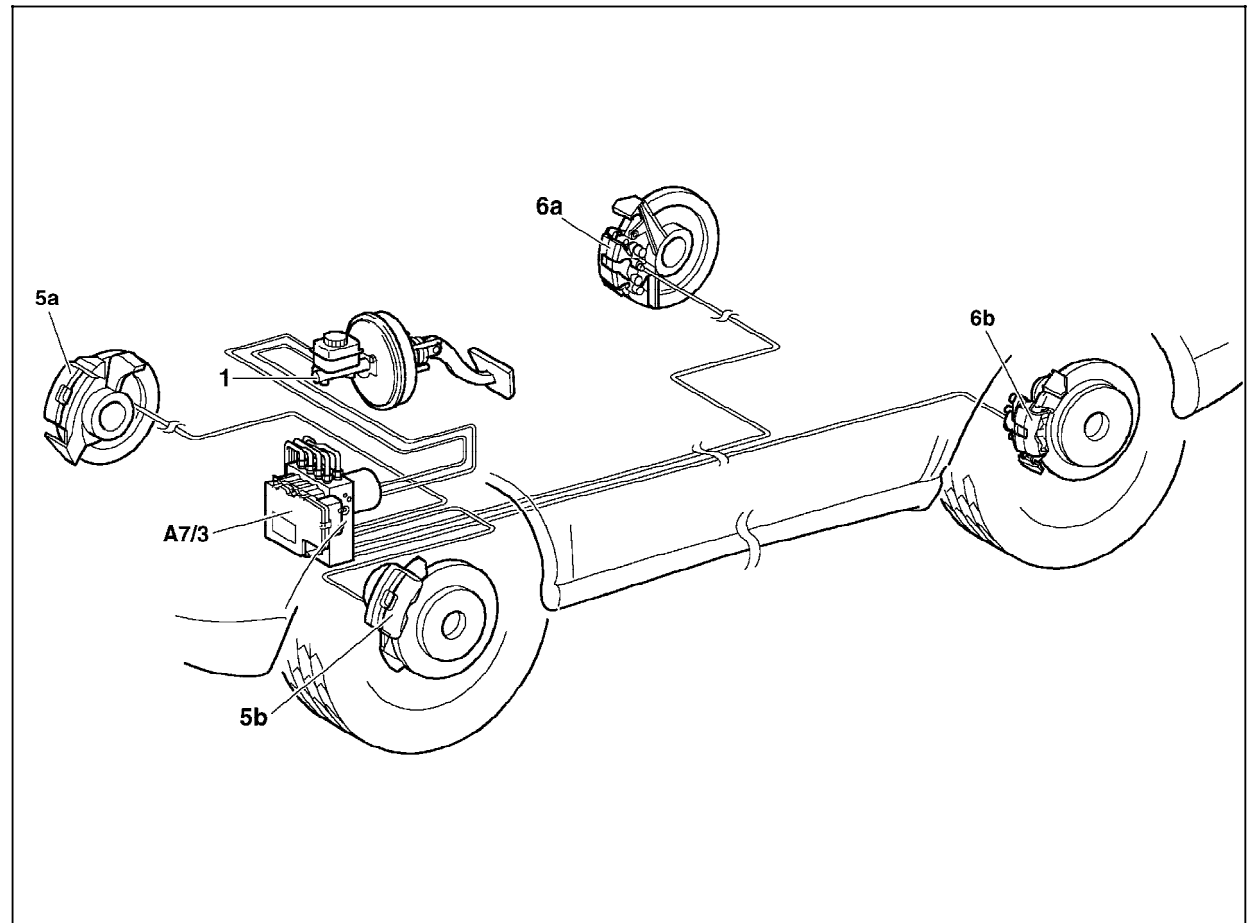


Figure 1

- 1 Tandem master cylinder
- 5a Right front brake caliper
- 5b Left front brake caliper
- 6a Right rear brake caliper
- 6b Left rear brake caliper
- A7/3 ASR/ETS/ESP hydraulic unit for traction systems

P42.35-0236-09

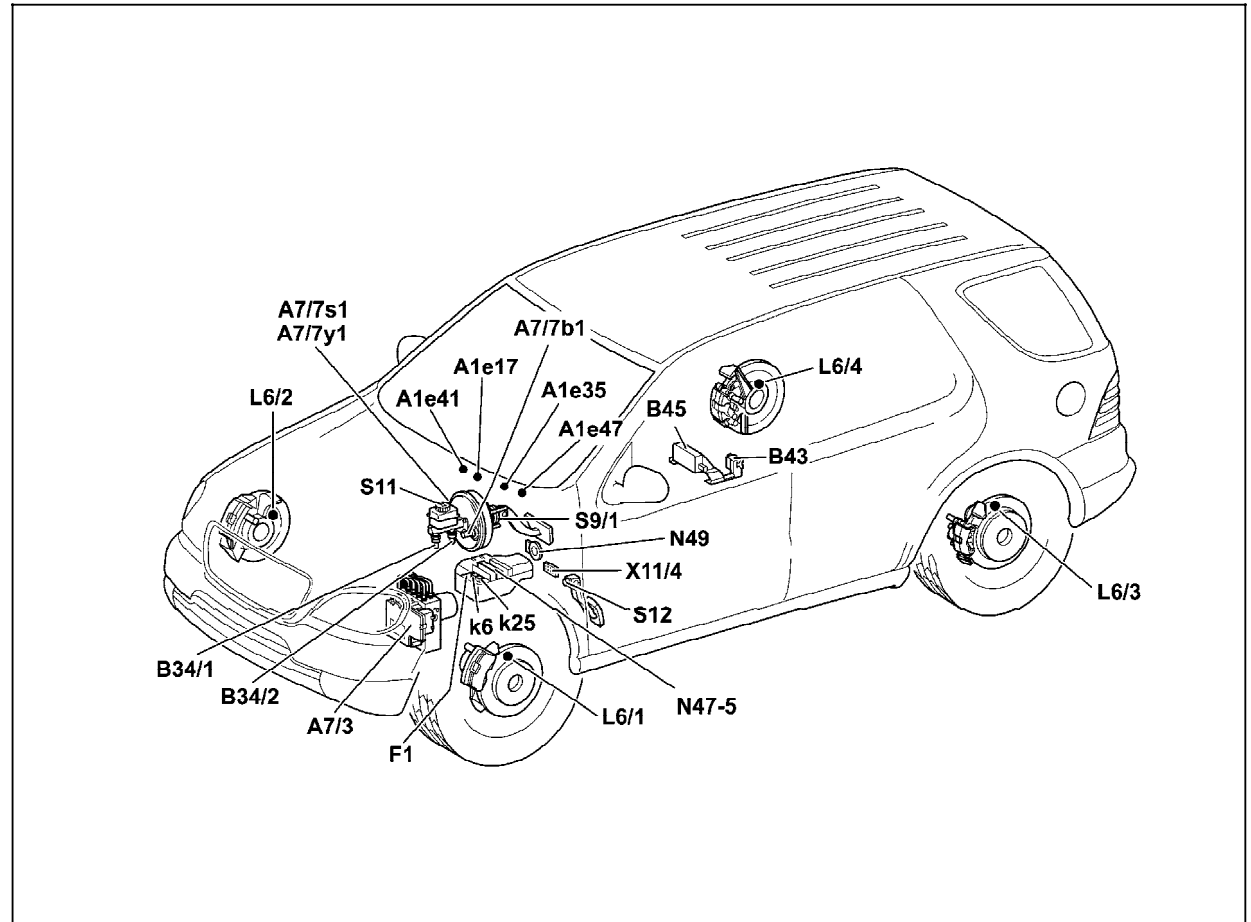
10.4 Electronic Stability Program (ESP)

Electrical Test Program – ETS/ESP Electronic Component Locations

Model 163

Figure 2

A1e17	ABS MIL
A1e35	ETS MIL
A1e41	ESP warning lamp
A1e47	BAS/ESP MIL
A7/3	ASR/ETS/ESP hydraulic unit
A7/7b1	Membrane travel sensor (BAS)
A7/7s1	Release switch (BAS)
A7/7y1	Solenoid valve (BAS)
B34/1	ESP brake pressure sensor 1
B34/2	ESP brake pressure sensor 2
B43	ABS lateral acceleration sensor
B45	Rotationing speed sensor for ESP
F1	Fuse and relay box
F1k6	ESP stop lamp suppression
F1k25	High-pressure/return pump relay
L6/1	Left front VSS
L6/2	Right front VSS
L6/3	Left rear VSS
L6/4	Right rear VSS
N47-5	ESP/SPS/BAS control module
N49	Steering angle sensor
S9/1	Stop lamp switch (4-pole)
S11	Brake fluid level switch
S12	Parking brake switch
X11/4	Data link connector (DTC readout)



P42.45-2165-09