

9.3 Traction Systems (ABS, ASR, ETS) and SPS

Electrical Test Program – ASR V / ETS Component Locations

Model 129

Figure 1

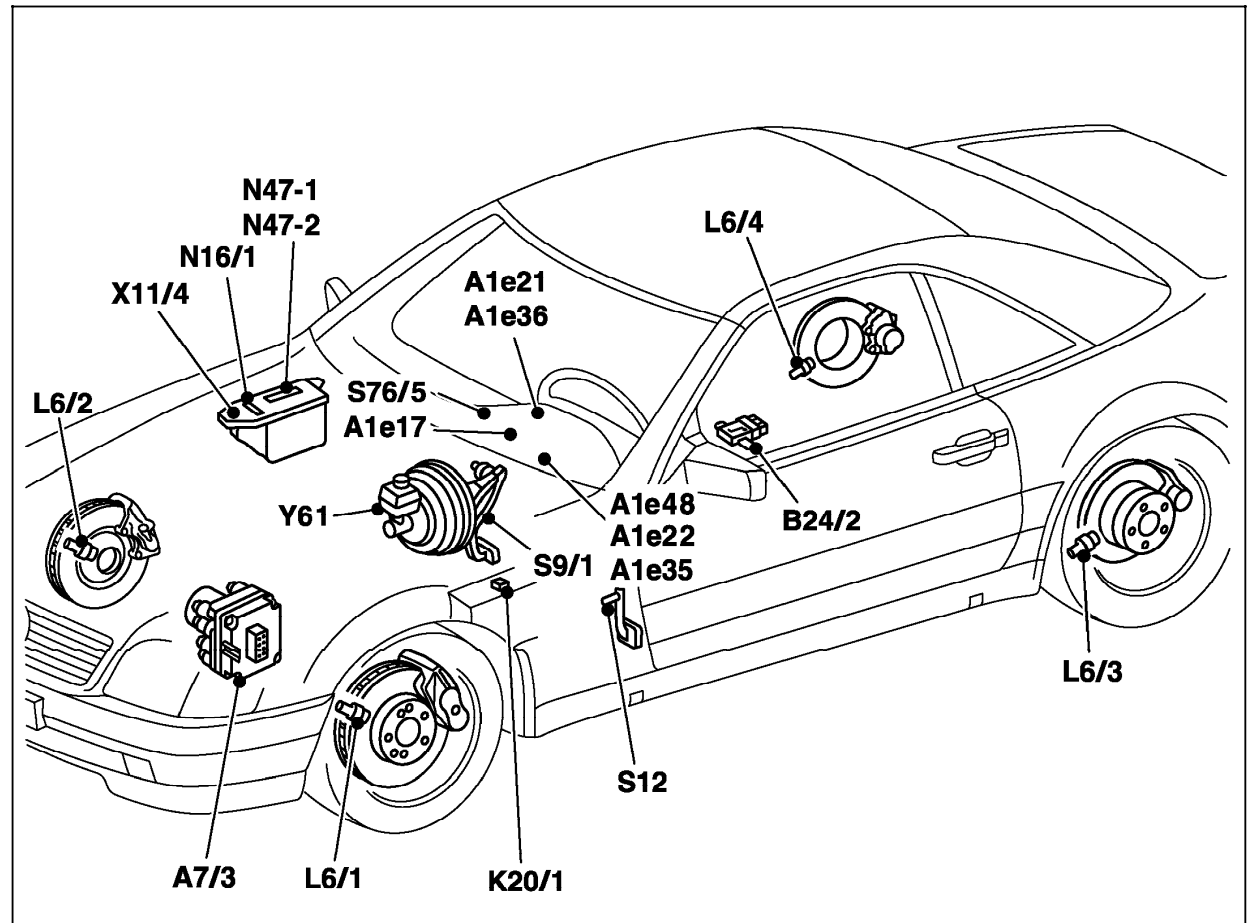
- A1e17 ABS MIL
- A7/3 ASR/ETS/ESP hydraulic unit
- B24/2 ABS lateral acceleration sensor (129.076)
- K20/1 High pressure/return pump relay
- L6/1 Left front axle VSS sensor
- L6/2 Right front axle VSS sensor
- L6/3 Left rear axle VSS sensor
- L6/4 Right rear axle VSS sensor
- N16/1 Base module (BM)
- S9/1 Stop lamp switch (4-pole)
- S12 Parking brake switch
- X11/4 Data link connector (DTC read out)
- Y61 Master brake cylinder switchover valve (129.076)

ASR only

- A1e21 ASR warning lamp
- A1e22 ASR MIL
- A1e48 BAS/ASR MIL (on vehicles with BAS only)
- N47-1 ASR/SPS control module
- S76/5 ASR Off switch

ETS only

- A1e35 ETS MIL
- A1e36 ETS warning lamp
- N47-2 ETS/SPS control module



P42.40-0292-06

9.3 Traction Systems (ABS, ASR, ETS) and SPS

Electrical Test Program – ASR V / ETS Component Locations

Model 140

Figure 2

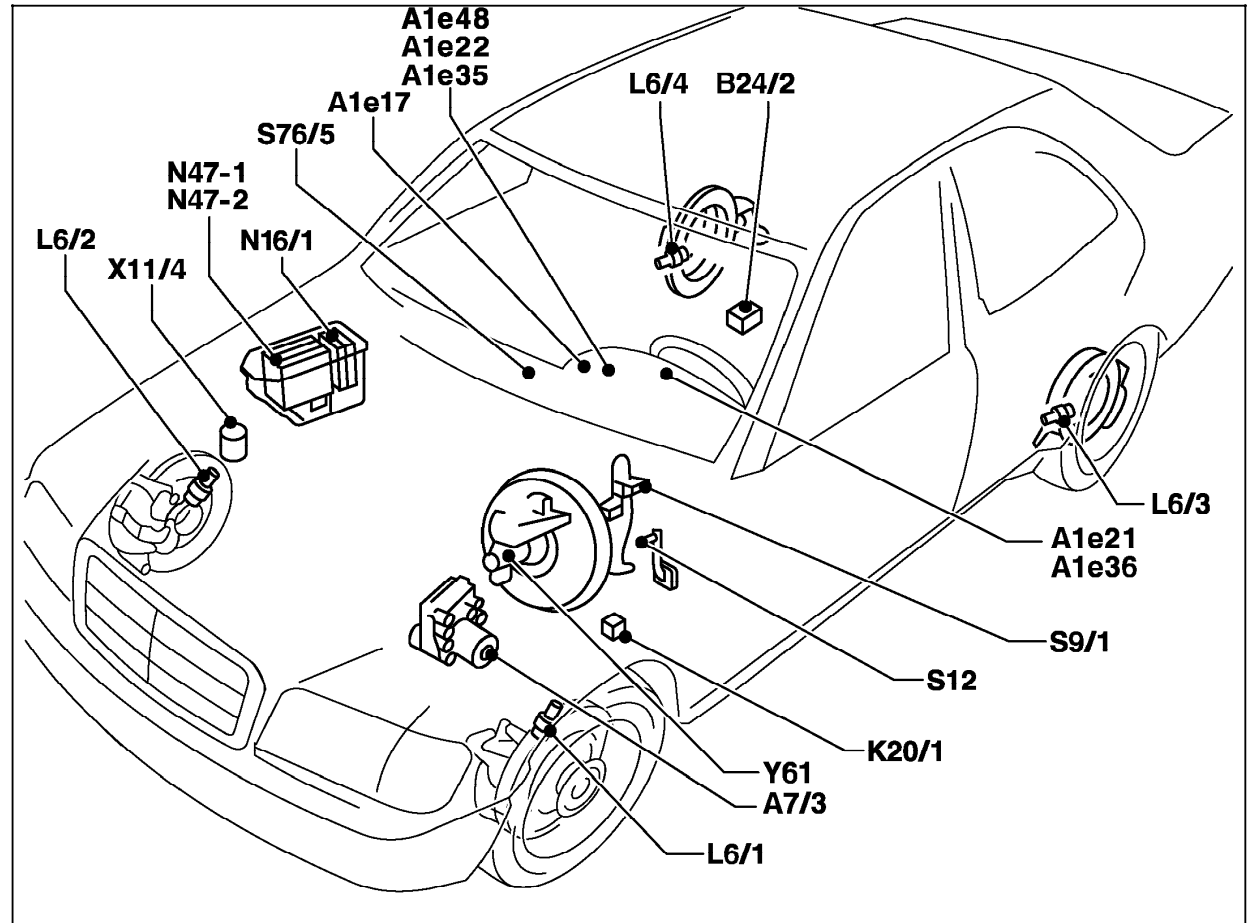
- A1e17 ABS MIL
- A7/3 ASR/ETS/ESP hydraulic unit
- B24/2 ABS lateral acceleration sensor (140.04/05/07)
- K20/1 High pressure/return pump relay
- L6/1 Left front axle VSS sensor
- L6/2 Right front axle VSS sensor
- L6/3 Left rear axle VSS sensor
- L6/4 Right rear axle VSS sensor
- N16/1 Base module (BM)
- S9/1 Stop lamp switch (4-pole)
- S12 Parking brake switch
- X11/4 Data link connector (DTC readout)
- Y61 Master brake cylinder swichover valve (140.04/05/07)

ASR only

- A1e21 ASR warning lamp
- A1e22 ASR MIL
- A1e48 BAS/ASR MIL
- N47-1 ASR/SPS control module
- S76/5 ASR Off switch

ETS only

- A1e35 ETS MIL
- A1e36 ETS warning lamp
- N47-2 ETS/SPS control module



P42.40-0293-06

9.3 Traction Systems (ABS, ASR, ETS) and SPS

Electrical Test Program – ASR V / ETS Component Locations

Model 170

Figure 3

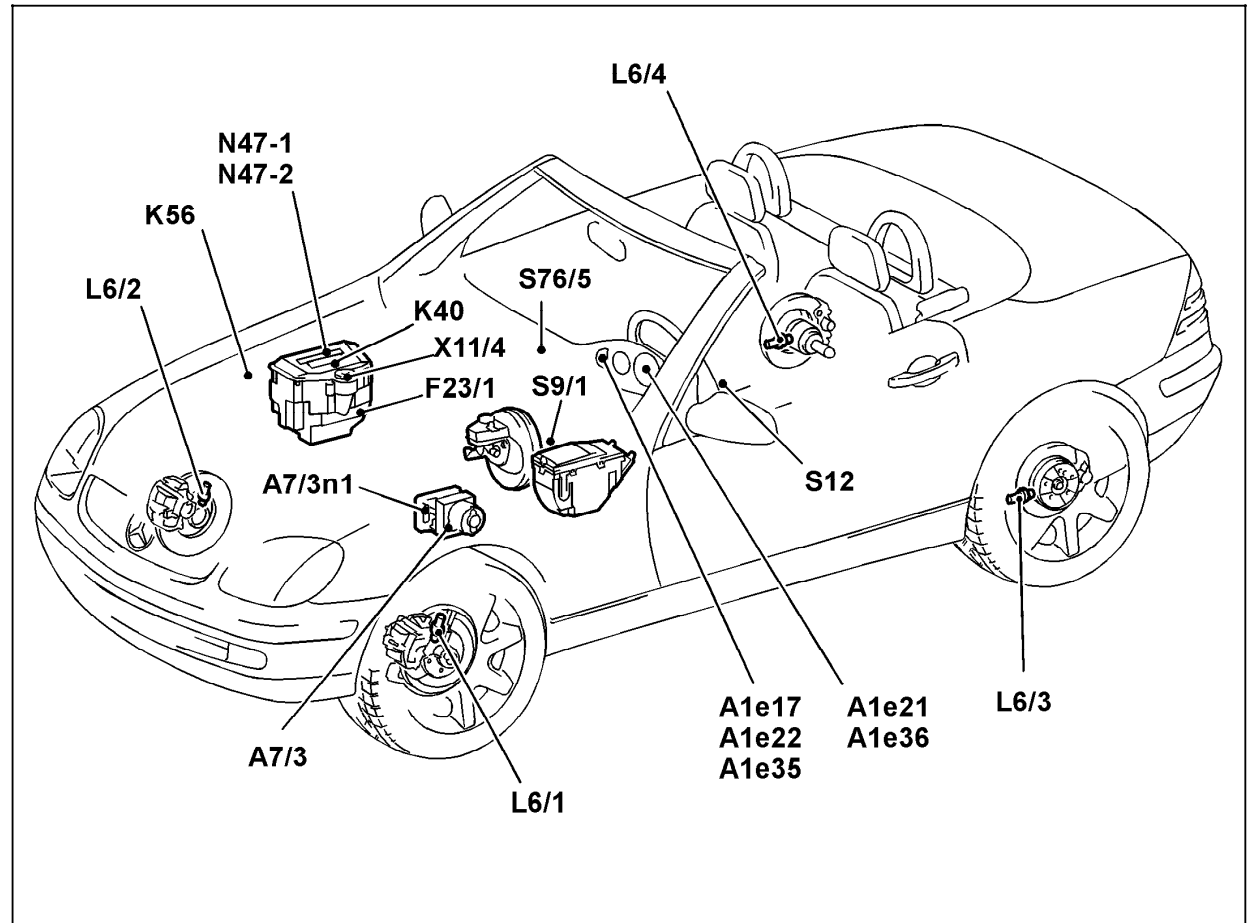
- A1e17 ABS MIL
- A7/3 ASR/ETS/ESP hydraulic unit
- A7/3n1 Cycling module/high pressure return pump
- F23/1 Control module box
- K40 Relay module (ME-SFI, base function)
- K56 Crash separation relay module (generator/battery)
- L6/1 Left front axle VSS sensor
- L6/2 Right front axle VSS sensor
- L6/3 Left rear axle VSS sensor
- L6/4 Right rear axle VSS sensor
- S9/1 Stop lamp switch (4-pole)
- S12 Parking brake switch
- X11/4 Data link connector (DTC readout)

ASR only

- A1e21 Rear axle VSS sensor
- A1e22 ASR MIL
- N47-1 ASR/SPS control module
- S76/5 ASR OFF switch

ETS only

- A1e35 ETS MIL
- A1e36 ETS warning lamp
- N47-2 ETS/SPS control module



P42.40-0294-06

9.3 Traction Systems (ABS, ASR, ETS) and SPS

Electrical Test Program – ABS Component Locations

Model 170

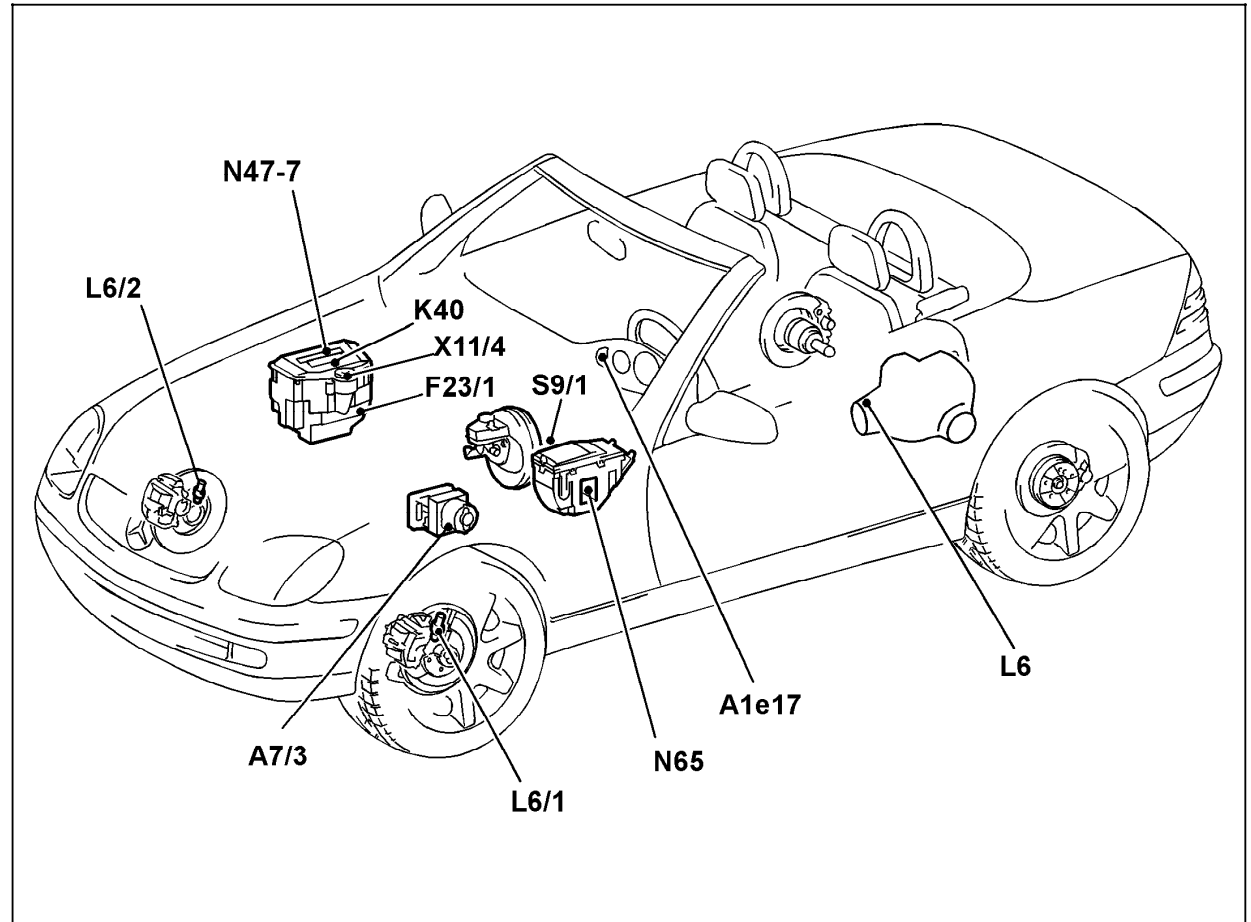


Figure 4

- A1e17 ABS MIL
- A7/3 ASR/ETS/ESP hydraulic unit
- F23/1 Control module box
- K40 Relay module (ME-SFI, base function)
- L6 Rear axle VSS sensor
- L6/1 Left front axle VSS sensor
- L6/2 Right front axle VSS sensor
- N47-7 ABS controlmodule
- N65 Pulse module (traction systems, HC, ATA, AAC)
- S9/1 Stop lamp switch (4-pole)
- X11/4 Data link connector (DTC readout)

P42.30-0232-06

9.3 Traction Systems (ABS, ASR, ETS) and SPS

Electrical Test Program – ABS Component Locations

Model 202
As of 9.1.95, up to 8.1.96

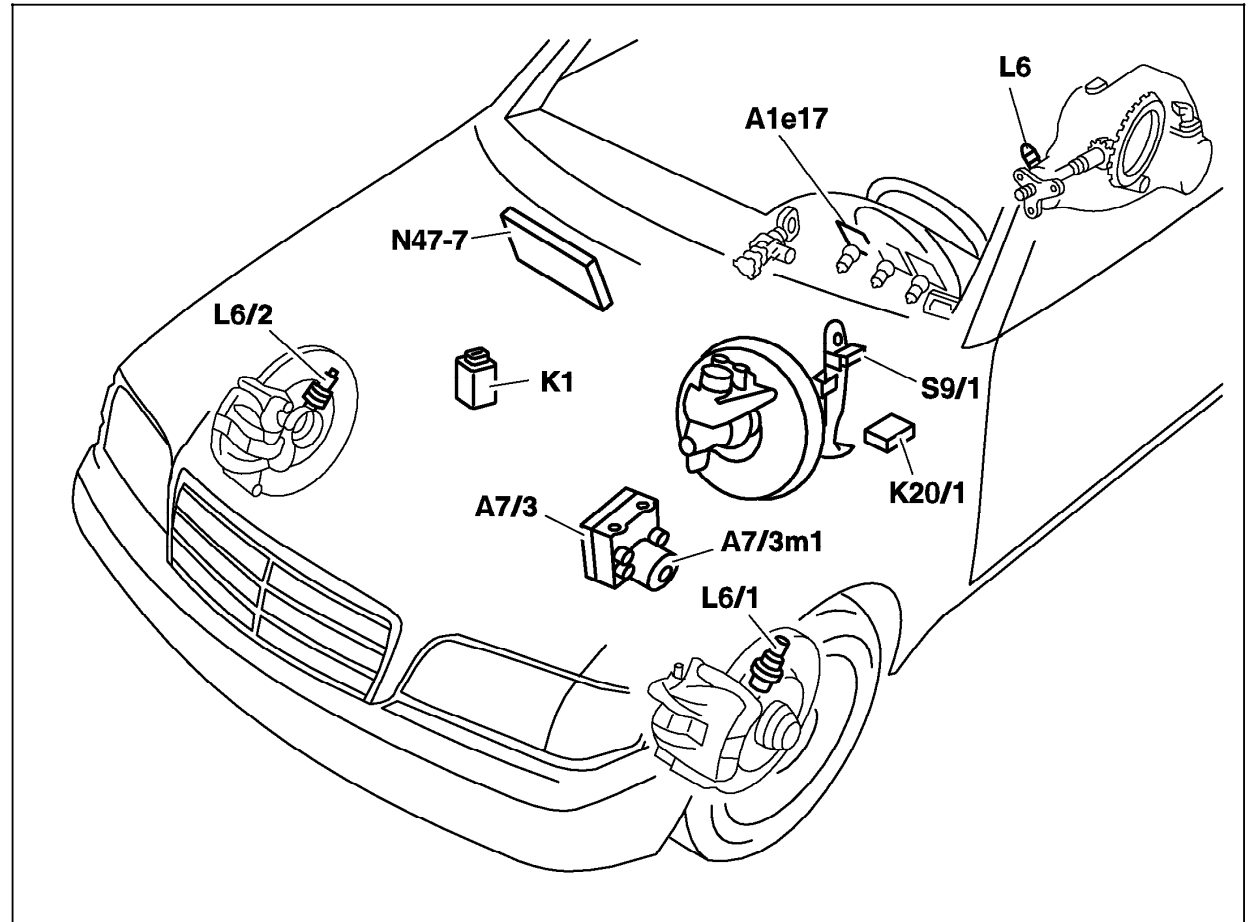


Figure 5

- A1e17 ABS MIL
- A7/3 ASR/ETS/ESP hydraulic unit
- A7/3m1 High pressure/return pump
- K1 Over voltage protection relay module
- K20/1 High pressure/return pump relay
- L6 Rear axle VSS sensor
- L6/1 Left front axle VSS sensor
- L6/2 Right front axle VSS sensor
- N47-7 ABS control module
- S9/1 Stop lamp switch (4-pole)

P42.30-0216-06

9.3 Traction Systems (ABS, ASR, ETS) and SPS

Electrical Test Program – ABS Component Locations

Model 202
As of 8.1.96
Model 208

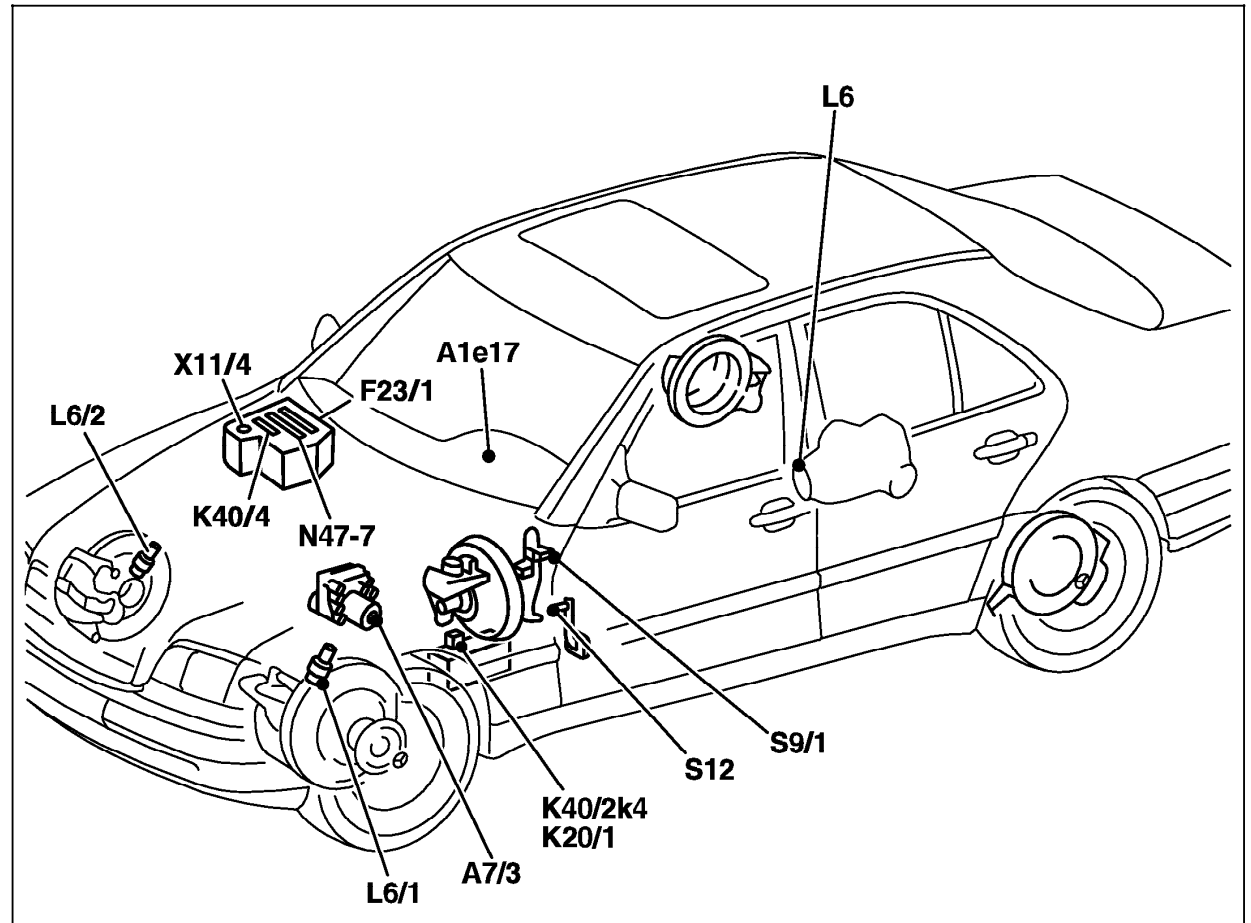


Figure 6

- A1e17 ABS MIL
- A7/3 ASR/ETS/ESP hydraulic unit
- F23/1 Control module box
- K20/1 High pressure/return pump relay (up to 6.1.97)
- K40/2 Driver-side fuse and relay module box (as of 6.1.97)
- k4 High pressure/return pump relay module
- K40/4 Passenger-side fuse and relay module box
- L6 Rear axle VSS sensor
- L6/1 Left front axle VSS sensor
- L6/2 Right front axle VSS sensor
- N47-7 ABS control module
- S9/1 Stop lamp switch (4-pole)
- S12 Parking brake switch
- X11/4 Data link connector (DTC readout)

P42.30-0233-06

9.3 Traction Systems (ABS, ASR, ETS) and SPS

Electrical Test Program – ASR V / ETS Component Locations

Model 202
(up to 05.97)

Figure 7

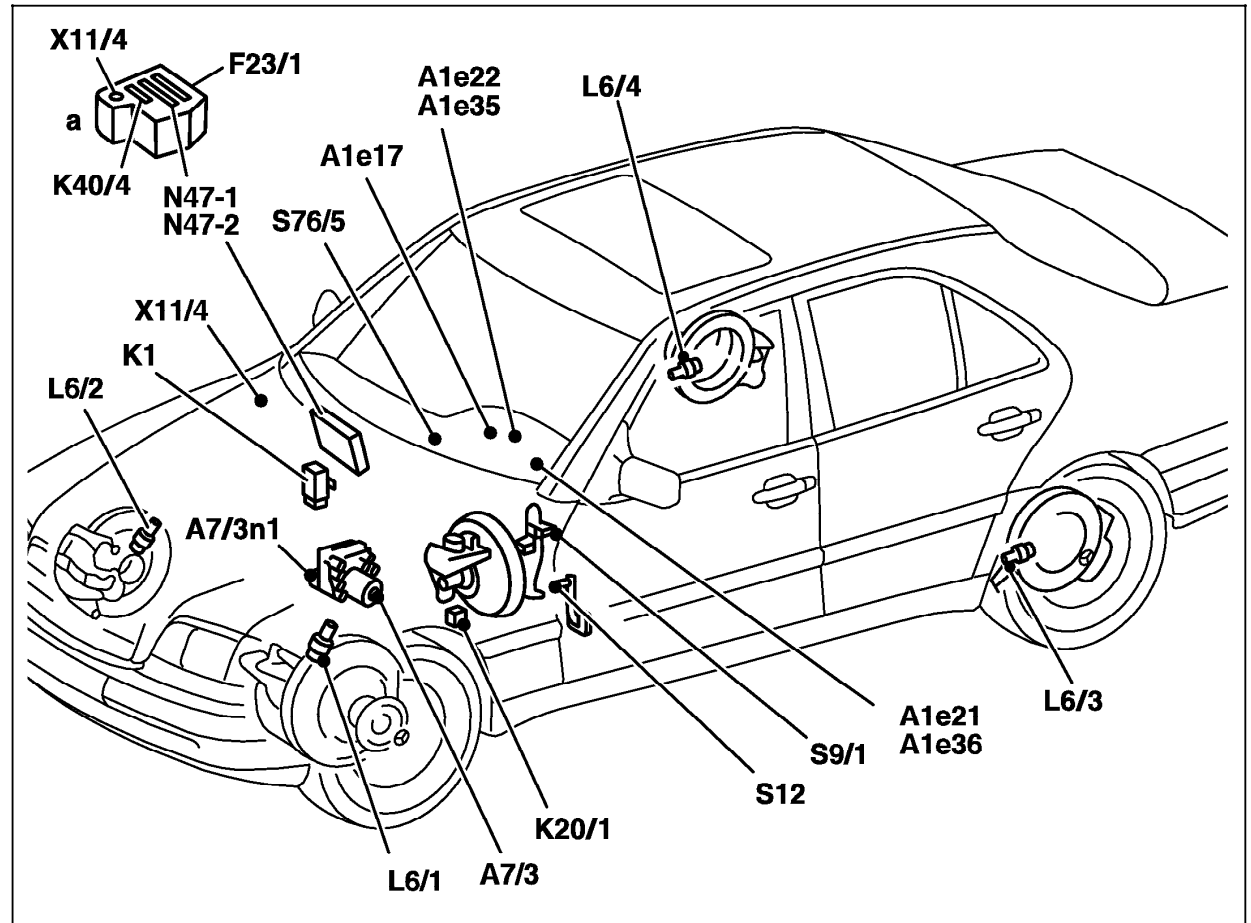
- a Version using a control module box
- A1e17 ABS MIL
 - A7/3 ASR/ETS/ESP hydraulic unit
 - A7/3n1 Cycling module/high pressure return pump
 - F23/1 Control module box
 - K1 Overvoltage protection relay module
 - K20/1 High pressure/return pump relay
 - K40/4 Passenger-side fuse and relay module box
 - L6/1 Left front axle VSS sensor
 - L6/2 Right front axle VSS sensor
 - L6/3 Left rear axle VSS sensor
 - L6/4 Right rear axle VSS sensor
 - S9/1 Stop lamp switch (4-pole)
 - S12 Parking brake switch
 - X11/4 Data link connector (DTC readout)

ASR only

- A1e21 ASR warning lamp
- A1e22 ASR MIL
- N47-1 ASR/SPS control module
- S76/5 ASR Off switch

ETS only

- A1e35 ETS MIL
- A1e36 ETS warning lamp
- N47-2 ETS/SPS control module



P42.40-0290-06

9.3 Traction Systems (ABS, ASR, ETS) and SPS

Electrical Test Program – ASR V / ETS Component Locations

**Model 210
(except 210.08/28)**

Figure 8

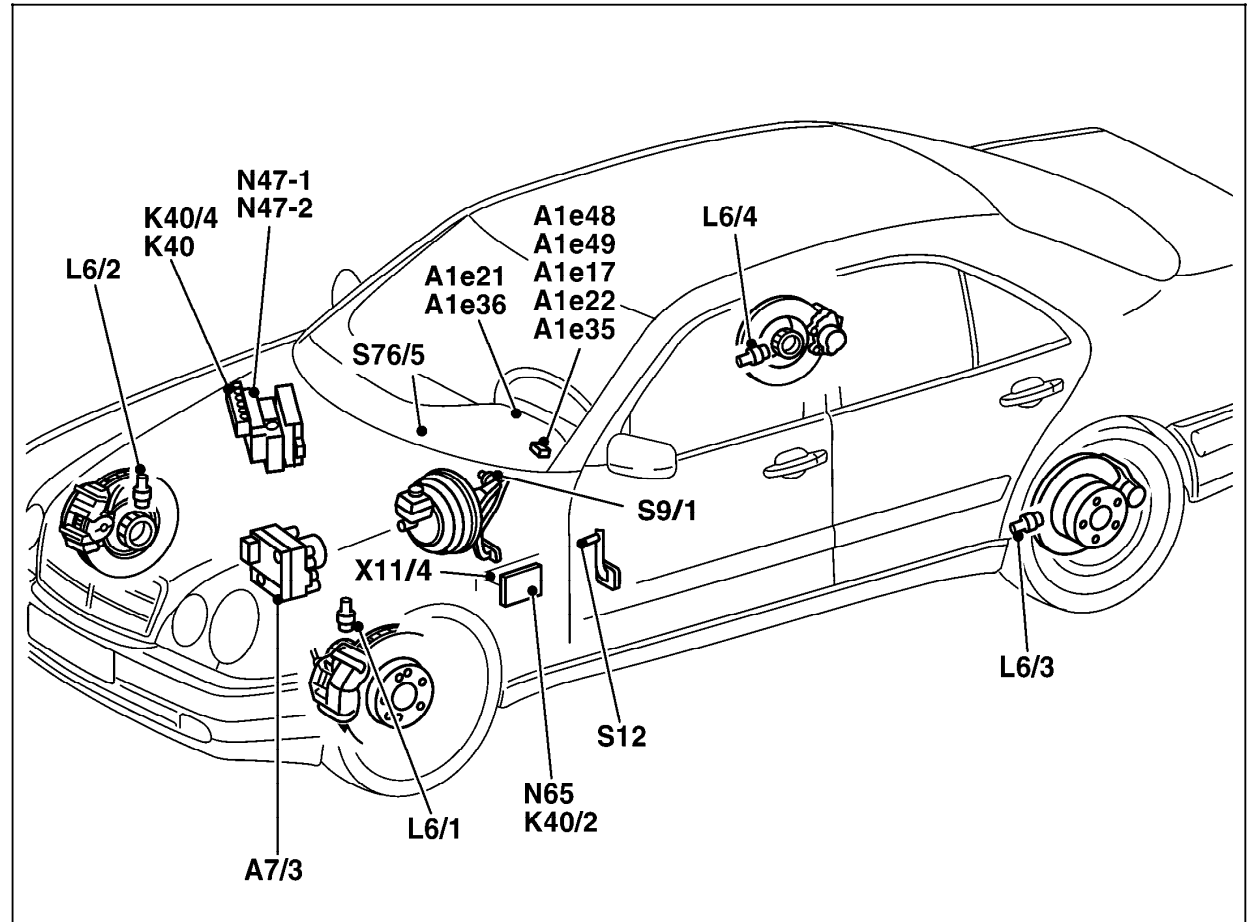
- A1e17 ABS MIL
- A7/3 ASR/ETS/ESP hydraulic unit
- K40 Relay module (HFM-SFI, HFM-LP, ME-SFI, EDC, base function)
- K40/2 Driver-side fuse and relay module box
- K40/4 Passenger-side fuse and relay module box
- L6/1 Left front axle VSS sensor
- L6/2 Right front axle VSS sensor
- L6/3 Left rear axle VSS sensor
- L6/4 Right rear axle VSS sensor
- N65 Pulse module (traction systems, HCS, ATA, AAC)
- S9/1 Stop lamp switch (4-pole)
- S12 Parking brake switch
- X11/4 Data link connector

ASR only

- A1e21 ASR warning lamp
- A1e22 ASR MIL (on vehicles without BAS)
- A1e48 BAS/ASR MIL (on vehicles with BAS only)
- N47-1 ASR/SPS control module
- S76/5 ASR Off switch

ETS only

- A1e35 ETS MIL
- A1e36 ETS warning lamp (on vehicles without BAS)
- A1e49 BAS/ETS MIL (on vehicles with BAS only)
- N47-2 ETS/SPS control module



P42.40-0291-06