

Electrical Test Program – Component Locations

Engine 606.912
Electrical Components in Engine
Compartment

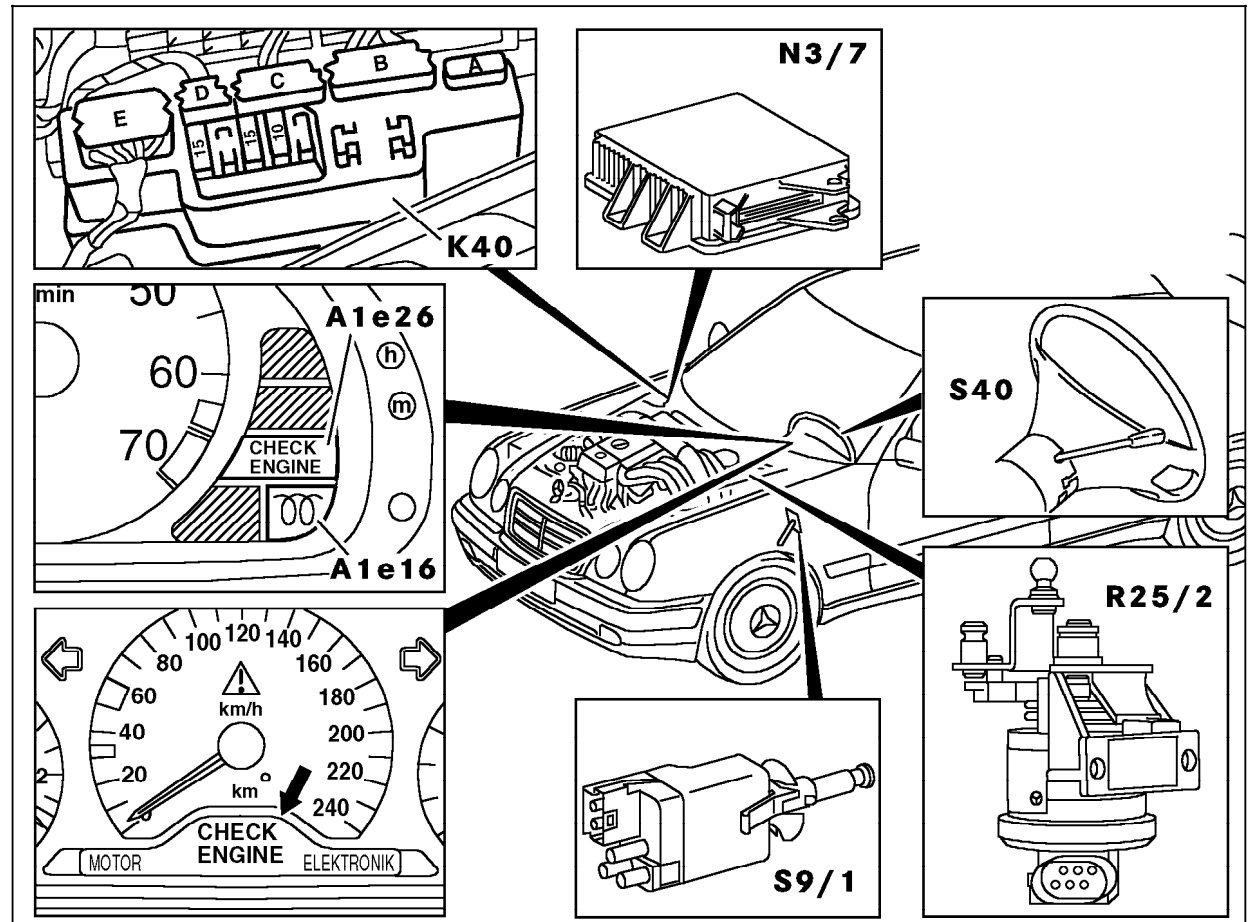


Figure 1

- A1e16 Preglow indicator lamp
- A1e26 CHECK ENGINE MIL
- K40 Relay module (IFI, base function)
- N3/7 Engine control module (IFI)
- R25/2 IFI accelerator pedal position sensor
- S9/1 Stop lamp switch (4-pole)
- S40 CC switch

U07.12-0253-57

Electrical Test Program – Component Locations

Engine 606.912 Electrical Components in Engine Compartment

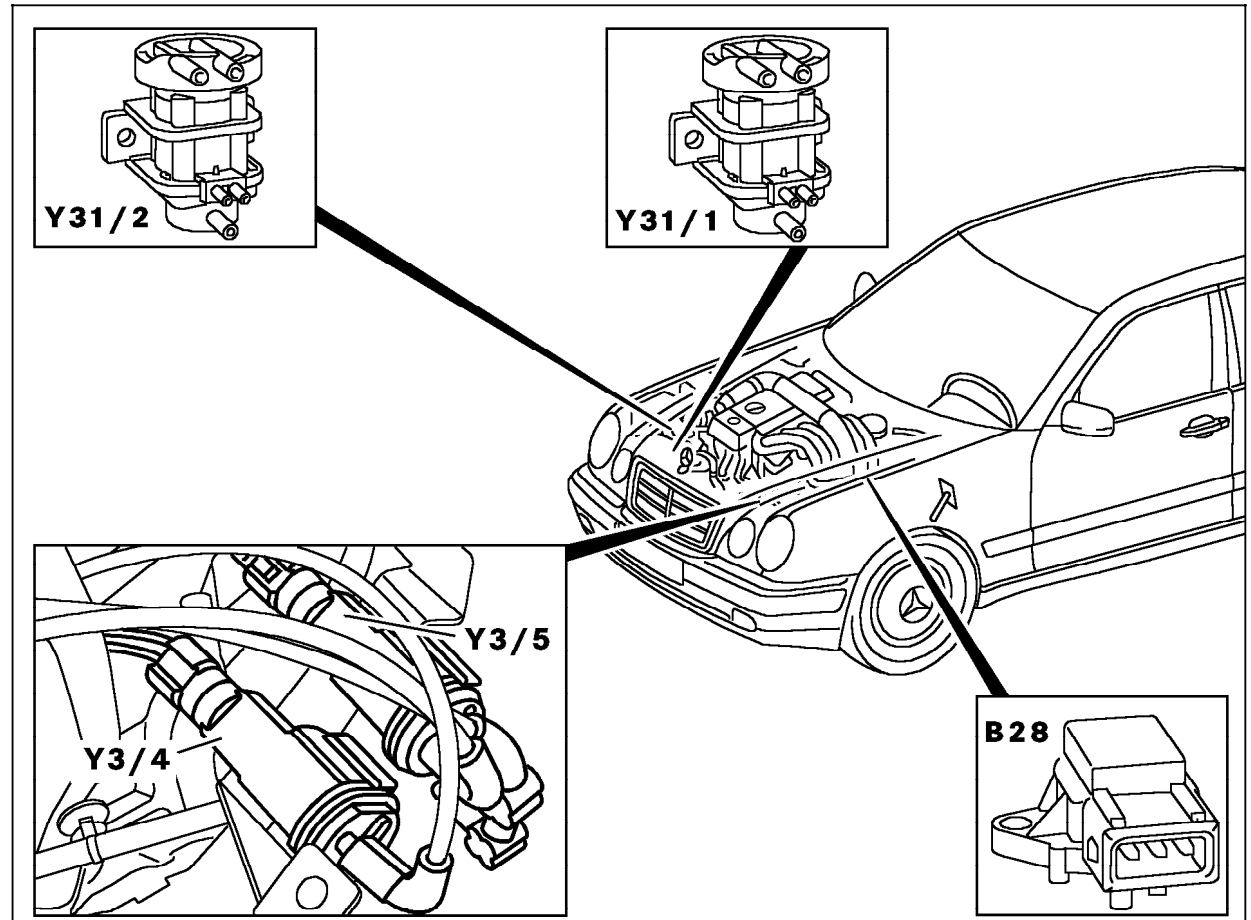


Figure 2

- | | |
|-------|---|
| B28 | Pressure sensor |
| Y3/4 | Modulator pressure switchover valve (AT/CC) |
| Y3/5 | Upshift delay switchover valve (AT/CC) |
| Y31/1 | EGR valve vacuum transducer |
| Y31/2 | Pressure control flap vacuum transducer |

U07.12-0252-57

Electrical Test Program – Component Locations

Electrical Components on Engine

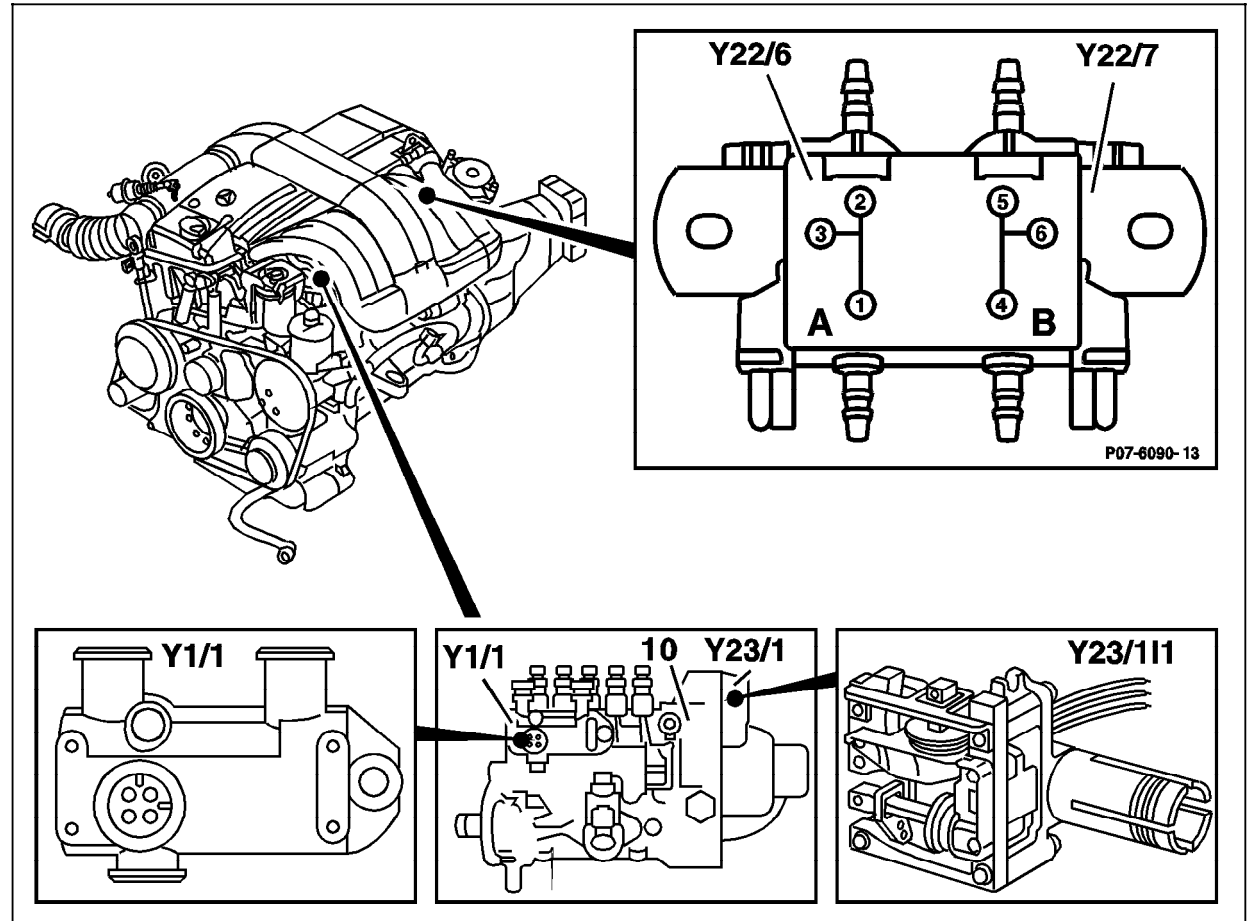


Figure 3

- 10 In-line fuel injection pump
- Y1/1 IFI electrohydraulic shut-off actuator
- Y22/6 Resonance intake manifold switchover valve
- Y22/7 Resonance intake line switchover valve
- Y23/1 Fuel quantity actuator (IFI)
- Y23/111 Fuel rack position sensor

P07.12-0267-57

Electrical Test Program – Component Locations

Electrical Components on Engine

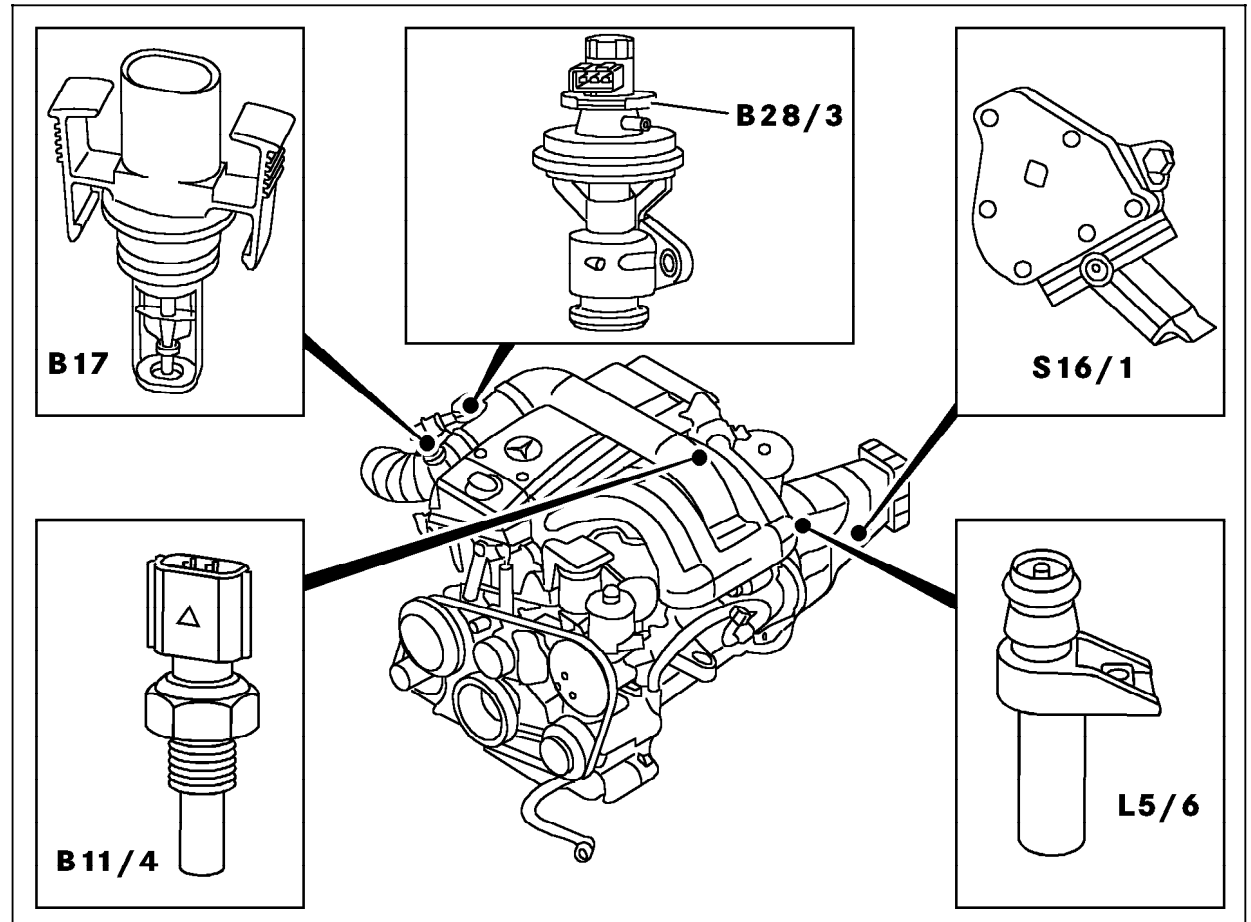


Figure 4

- B11/4 ECT sensor (IFI)
- B17 IAT sensor
- B28/3 EGR lifting sender
- L5/6 CKP sensor (IFI)
- S16/1 Starter lock-out/backup lamp switch

P07.12-0268-57

Electrical Test Program – Component Locations

Engine 606.912
Preglow System Components

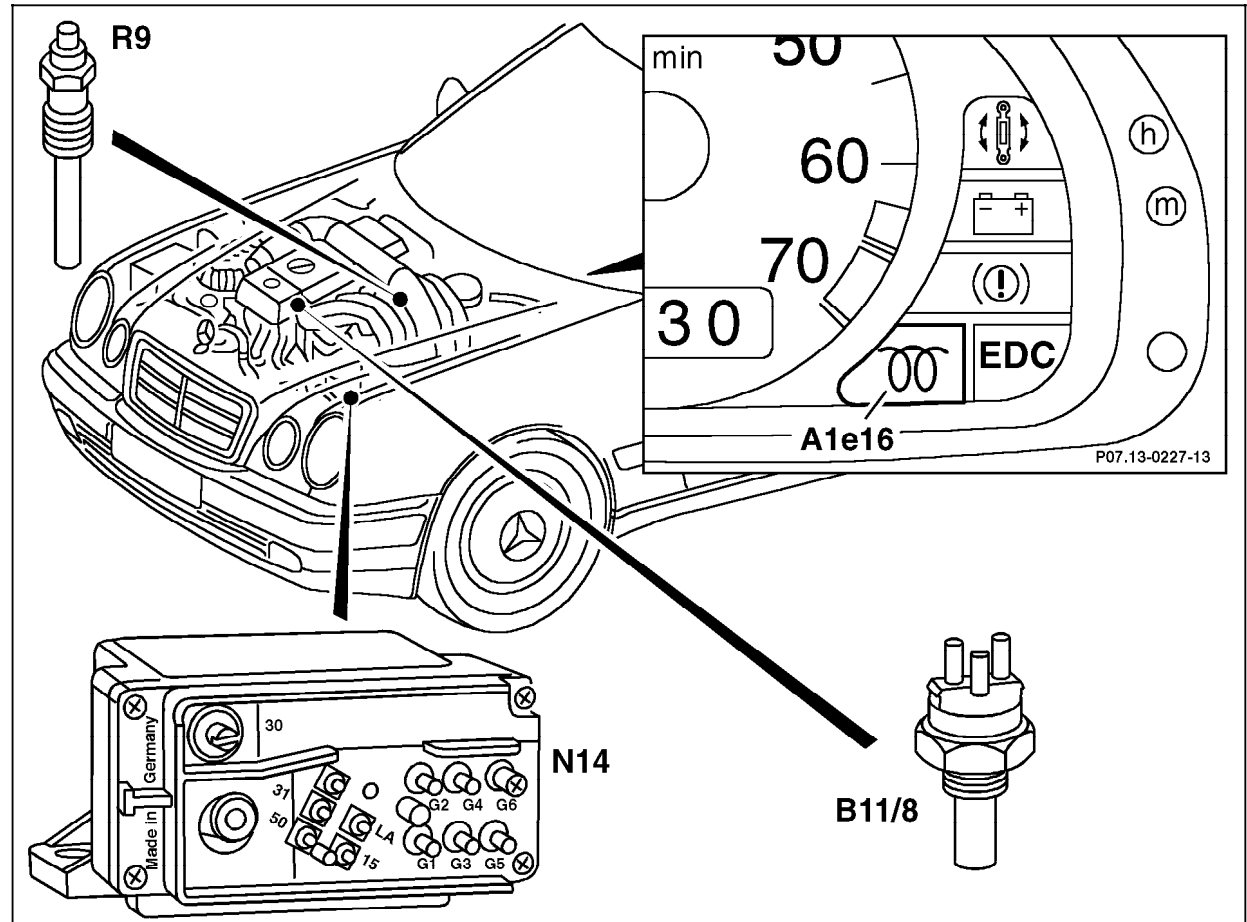


Figure 5

- A1e16 Preglow indicator lamp
- B11/8 ECT sensor (preglow system)
- N14 Preglow time-limit relay module
- R9 Glow plugs

P07.11-0203-57