

Electrical Test Program – Component Locations

Engine 606.912
Electrical Components in Engine
Compartment

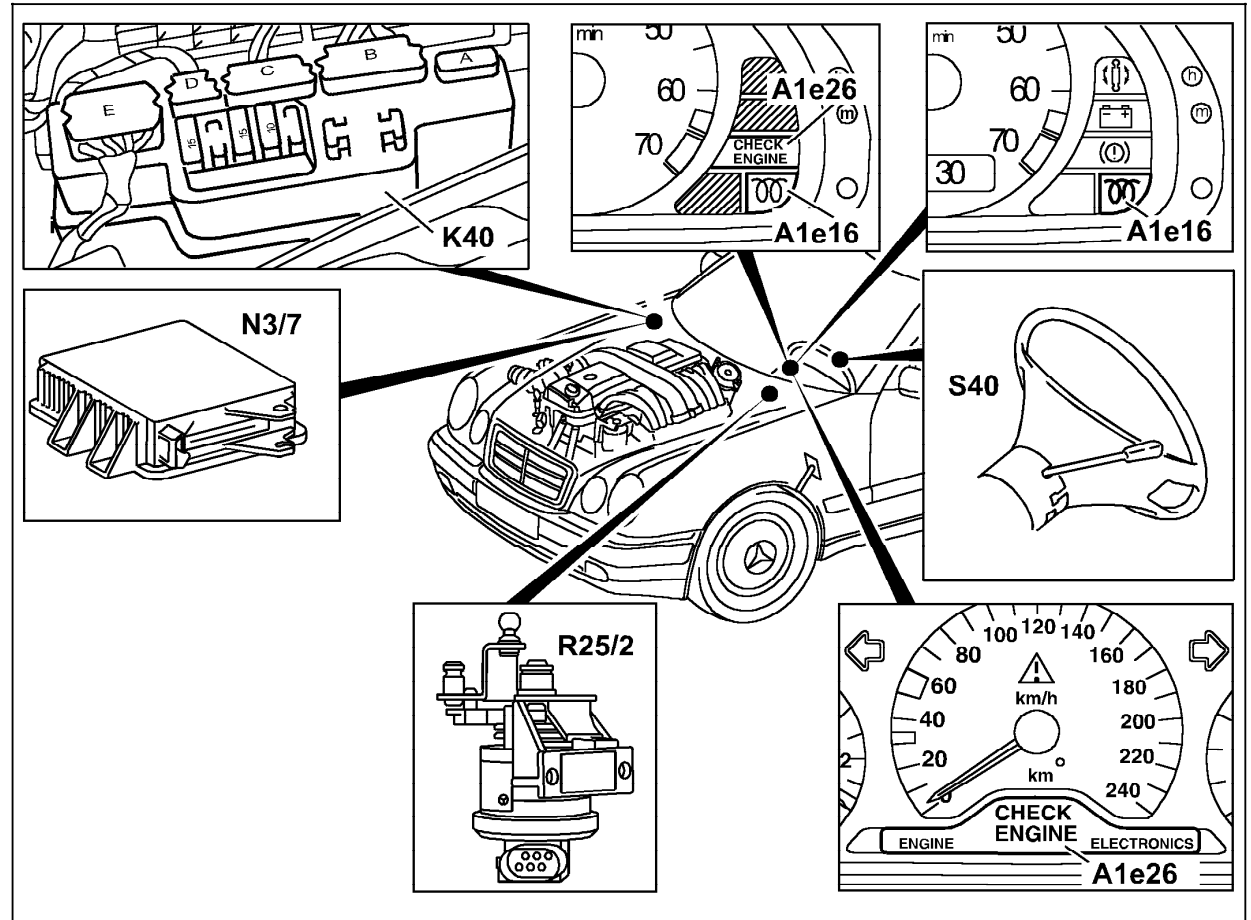


Figure 1

- A1e16 Preglow indicator lamp
- A1e26 CHECK ENGINE MIL
- K40 Relay module (IFI, base function)
- N3/7 IFI control module
- R25/2 IFI accelerator pedal position sensor
- S40 CC switch

P07.12-0347-06

Electrical Test Program – Component Locations

Engine 606.912
Electrical Components in Engine
Compartment

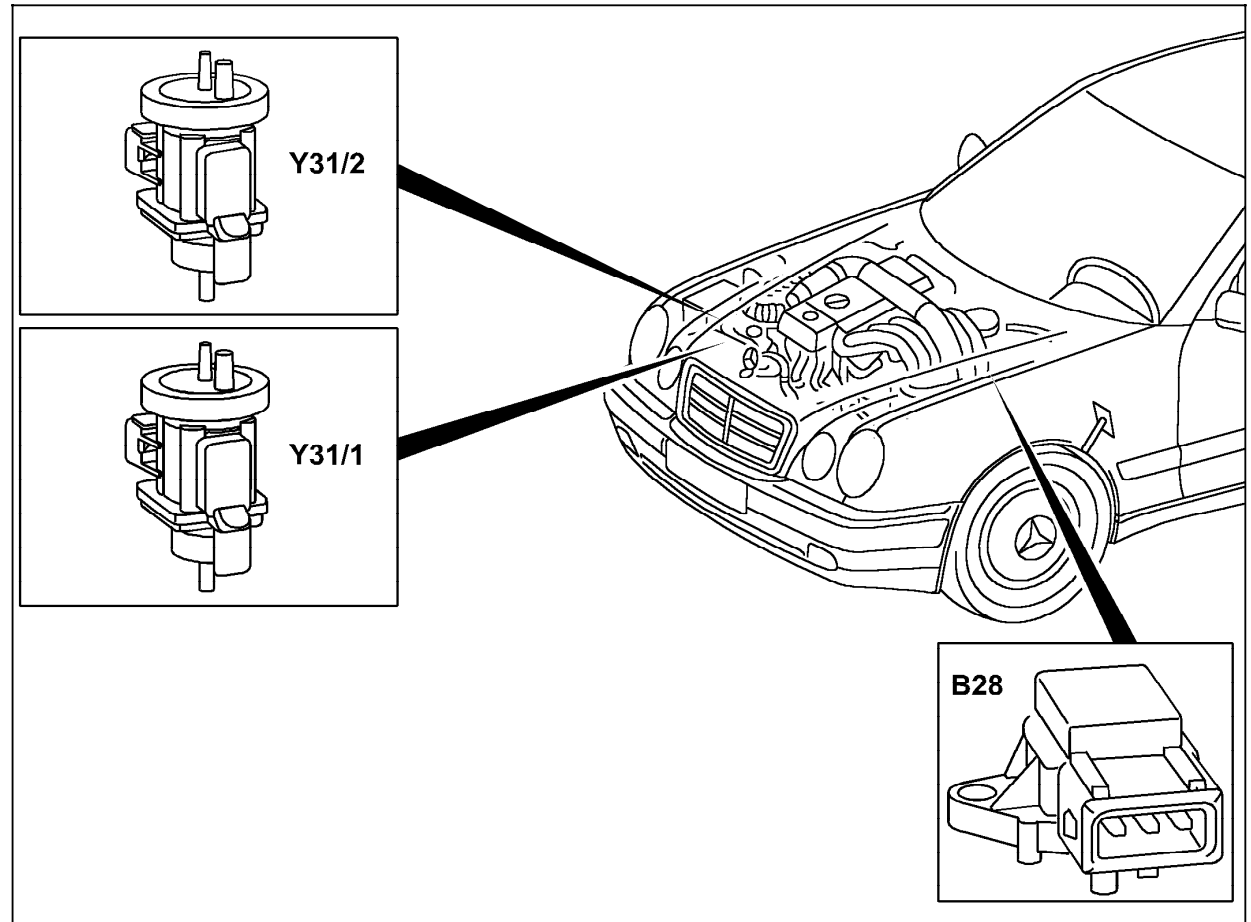


Figure 2

- B28 Pressure sensor
- Y31/1 EGR valve pressure transducer
- Y31/2 Pressure control flap vacuum transducer

P07.13-0346-06

Electrical Test Program – Component Locations

Electrical Components on Engine

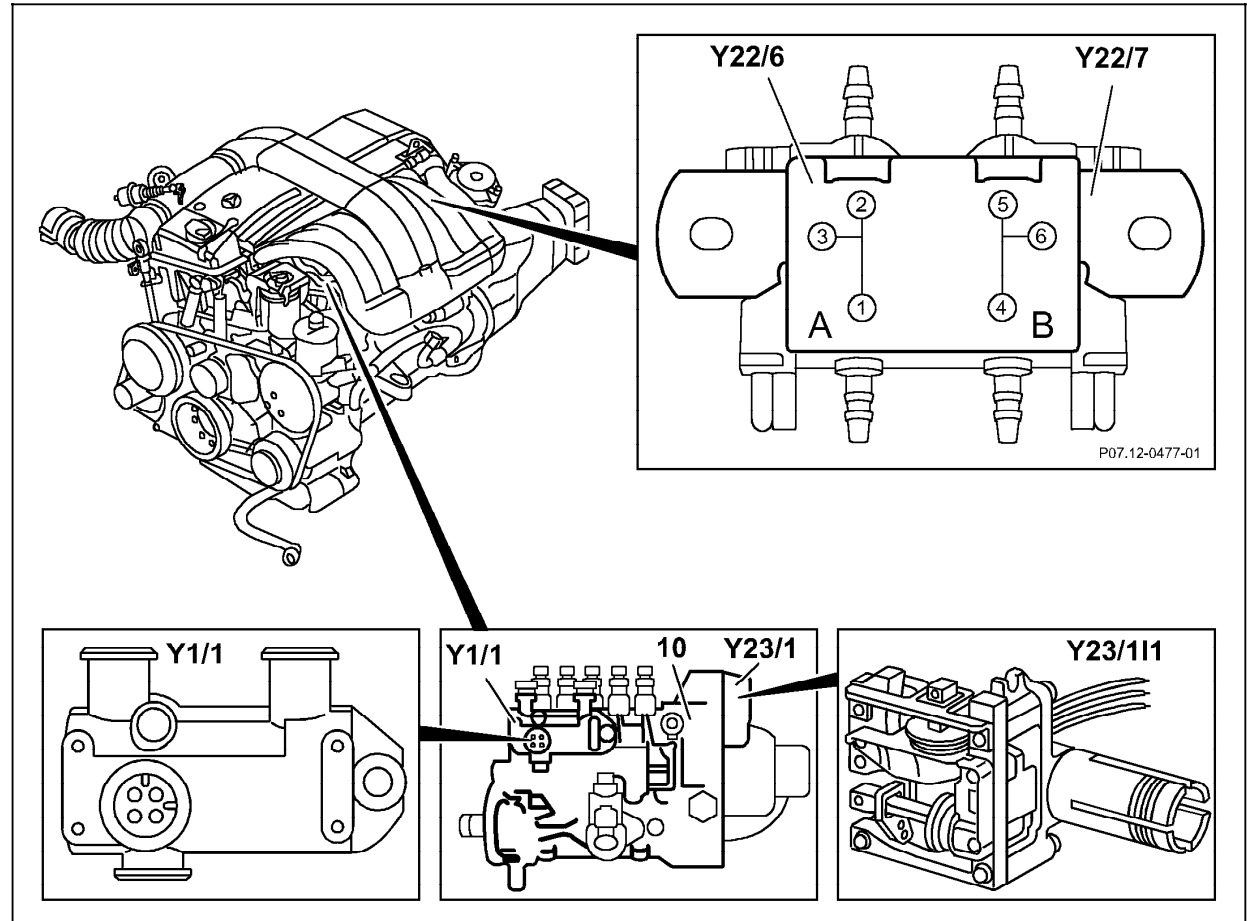


Figure 3

- 10 In-line fuel injection pump
- Y1/1 IFI electrohydraulic shut-off actuator
- Y22/6 Resonance intake manifold switchover valve
- Y22/7 Resonance intake line switchover valve
- Y23/1 Fuel quantity actuator
- Y23/111 Fuel rack position sensor

P07.12-0267-06

Electrical Test Program – Component Locations

Electrical Components on Engine

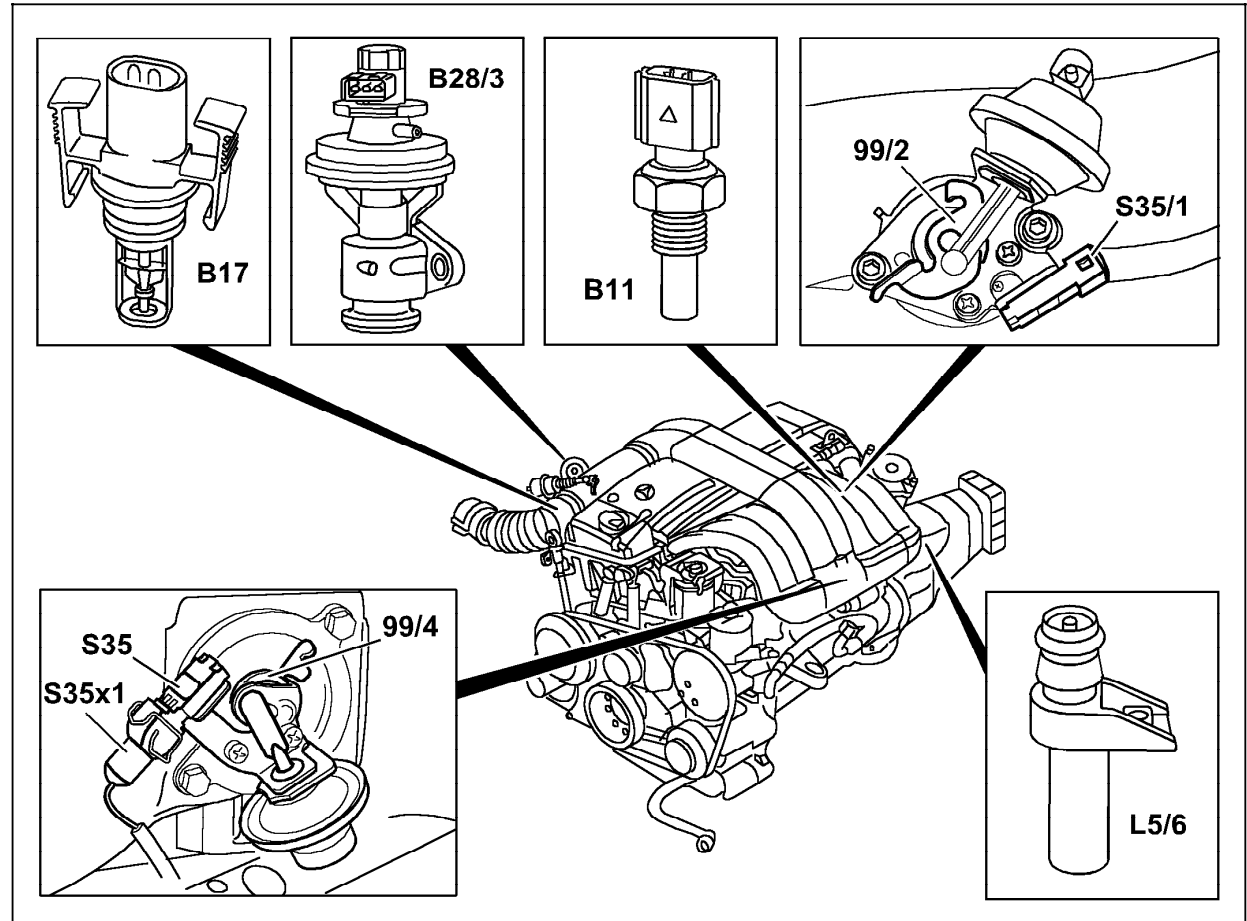


Figure 4

- B11 ECT sensor
- B17 IAT sensor
- B28/3 EGR lifting sender
- L5/6 CKP sensor
- S35 Resonance intake manifold switch
- S35x1 Resonance intake manifold switch connector
- S35/1 Resonance intake line switch
- 99/2 Resonance intake line flap
- 99/4 Resonance intake manifold flap

P07.12-0345-06

Electrical Test Program – Component Locations

Engine 606.912 Preglow System Components

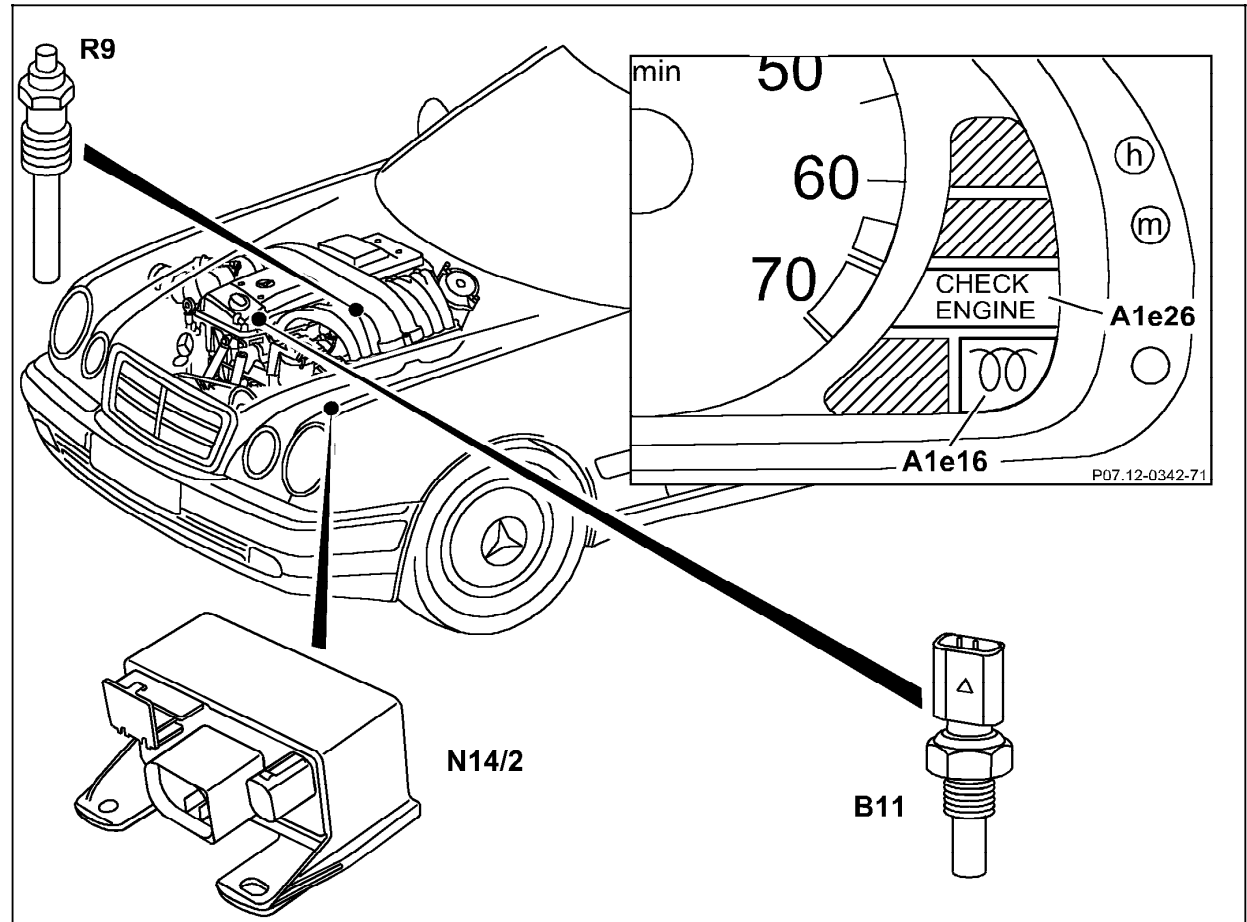


Figure 5

- A1e16 Preglow indicator lamp
- A1e26 "CHECK ENGINE" MIL
- B11 ECT sensor
- N14/2 Preglow control module
- R9 Glow plugs