

Electrical Test Program – Component Locations

Engine 606.962
Electrical Components on vehicle

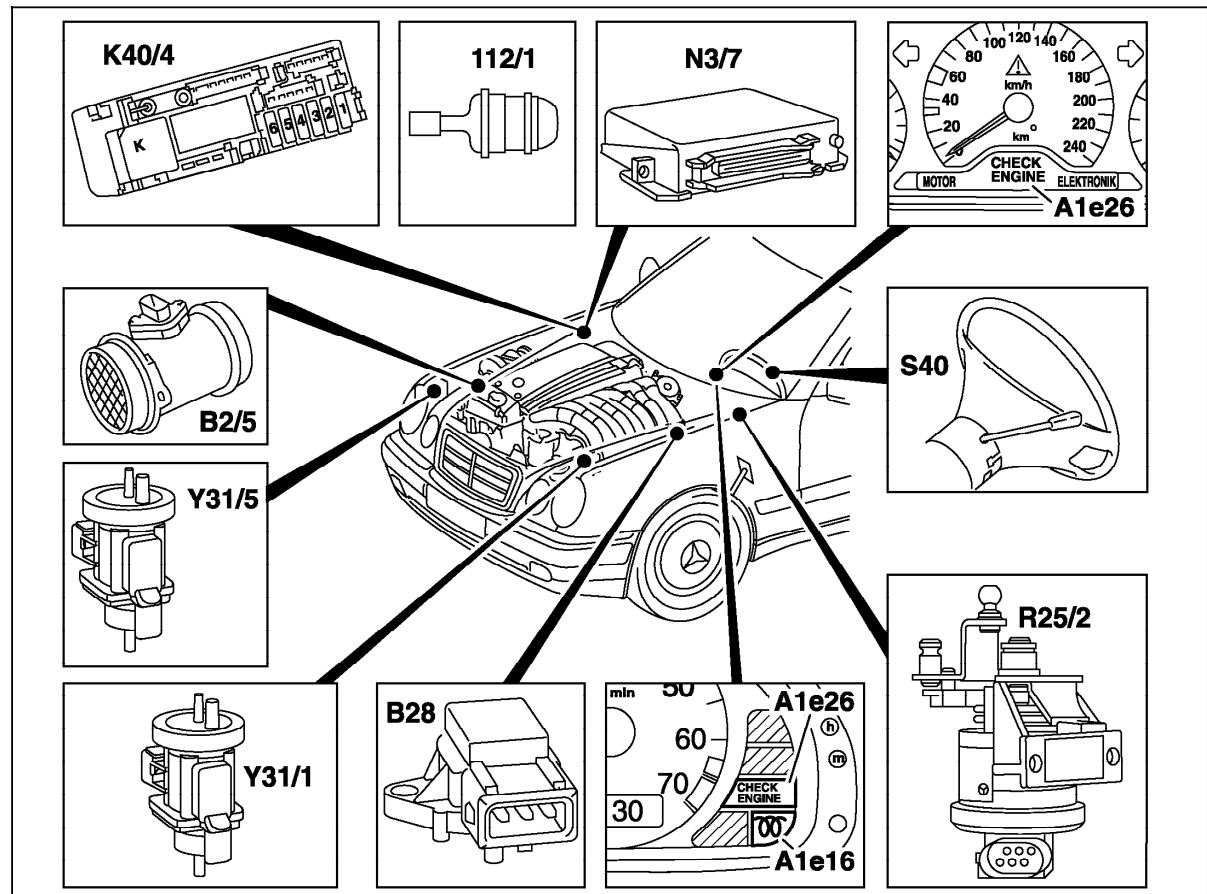


Figure 1

- 112/1 Ventilation filter for EGR valve vacuum transducer (Y31/1)
- A1e16 Preglow indicator lamp
- A1e26 "CHECK ENGINE" MIL
- B2/5 Hot film MAF sensor
- B28 Pressure sensor
- K40/4 Passenger-side fuse and relay module box
- N3/7 Engine control module (IFI)
- N14/2 Preglow control module
- R25/2 IFI/DFI accelerator pedal position sensor
- S40 CC switch
- Y31/1 EGR valve pressure transducer
- Y31/5 Boost pressure control/pressure control flap vacuum transducer

P07.12-0437-06

Electrical Test Program – Component Locations

Engine 606.962
Electrical Components in Engine
Compartment

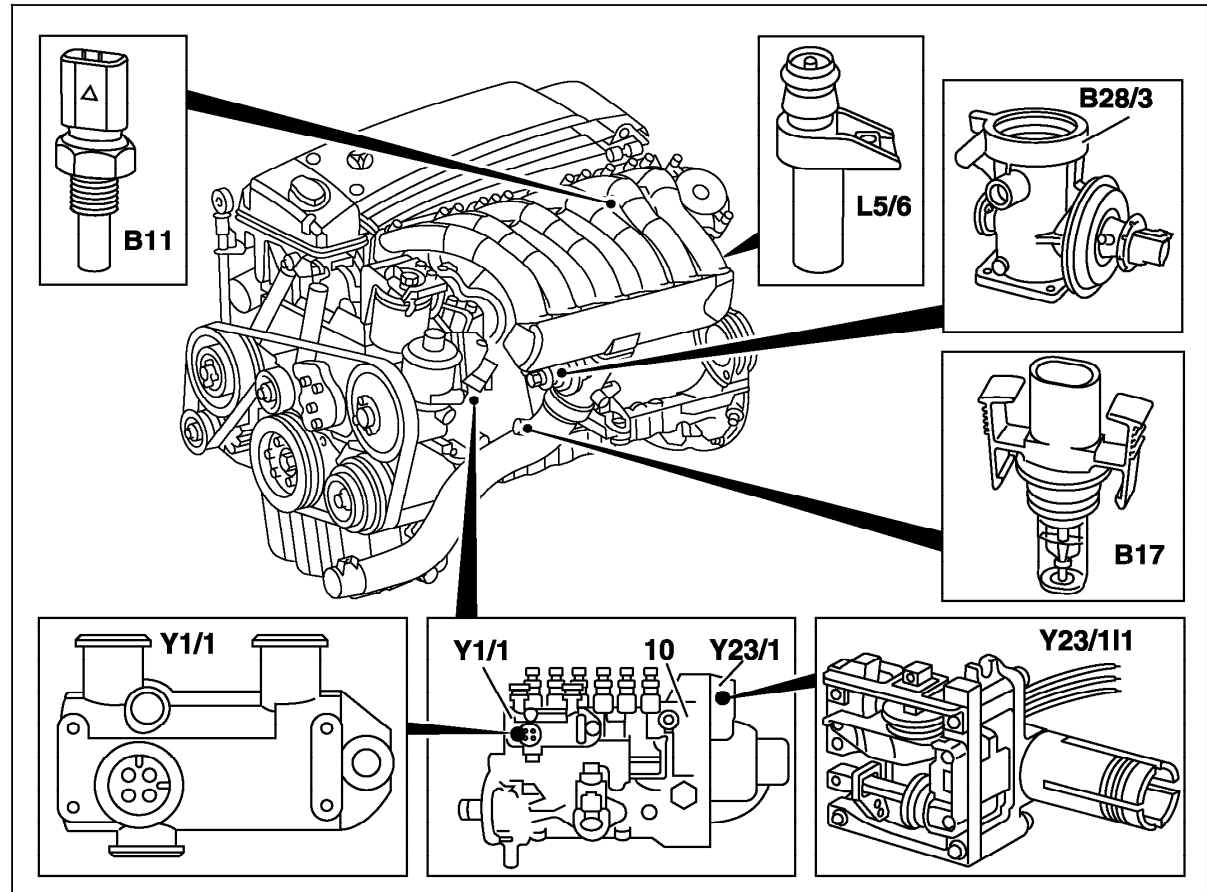


Figure 2

- | | |
|---------|--|
| B11 | ECT sensor |
| B17 | IAT sensor |
| B28/3 | EGR lifting sender |
| L5/6 | CKP sensor (IFI/DFI) |
| Y1/1 | IFI electrohydraulic shut-off actuator |
| Y23/1 | Fuel quantity actuator |
| Y23/111 | Fuel rack position sensor |
| 10 | In-line fuel injection pump |

P07.12-0326-06

Electrical Test Program – Component Locations

Electrical Components on Engine

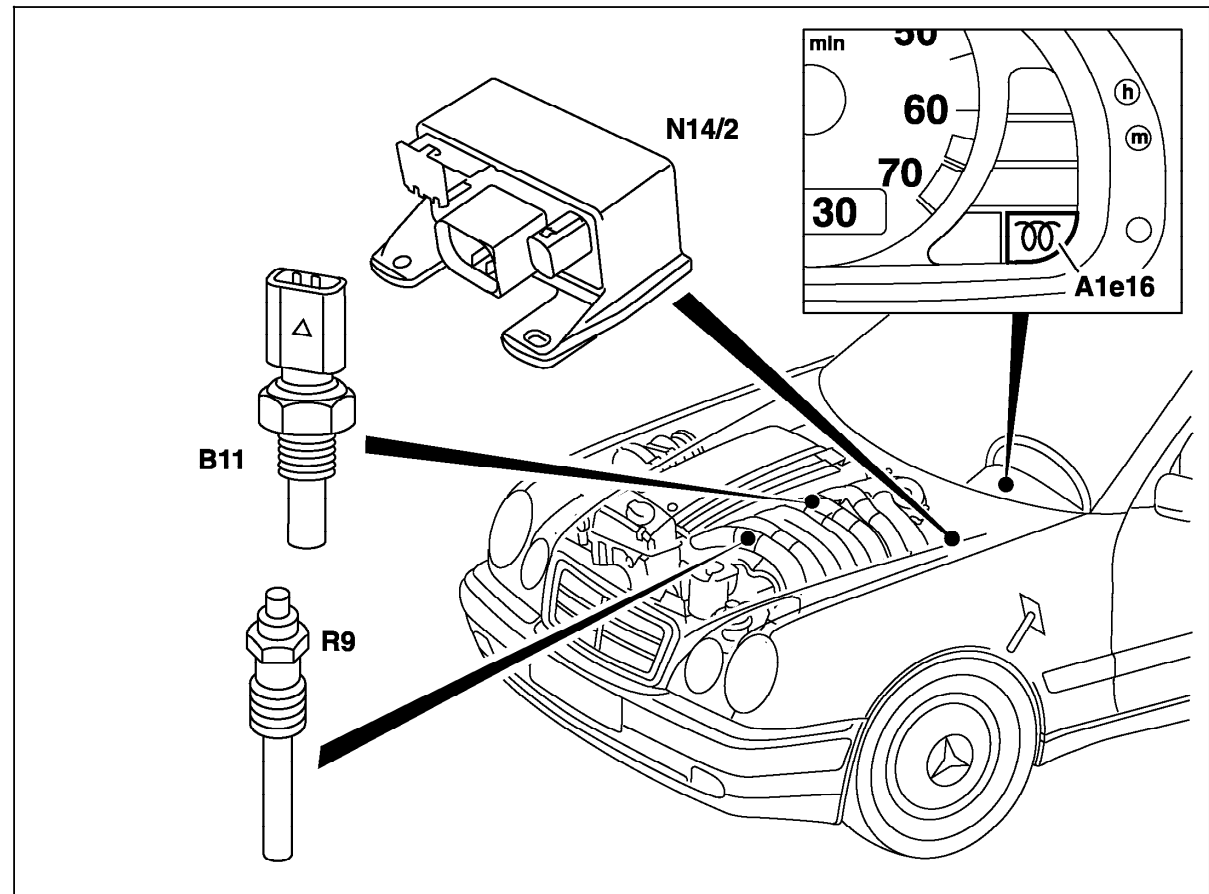


Figure 3

- A1e16 Preglow indicator lamp
- B11 ECT sensor
- N14/2 Preglow control module
- R9 Glow plugs

P07.12-0407-06