

B 4 Start-of-Delivery Test

Operation No. of Text Description and Time Allowance 07-8244 or 07-8245

Test Steps

- | | | |
|---|------------------------------------------------|--------------------------------------------------------------------------------------------------------------------------------------|
| 1 | Plug (arrow) on fuel injection pump (10) | remove,
tightening torque 30 – 35 Nm |
| 2 | Test equipment | connect/disconnect according to connection diagram. |
| 3 | Engine running at CTP | read GI value 14 + 0.5° ATDC on digital tester
GI nominal value 14 + 0.5° ATDC (adjust start of delivery if necessary,
42/B5). |

B 4 Start-of-Delivery Test

Connection Diagram – Test Equipment
Engine 606.912 IFI
 for Test Equipment **with** Adapter

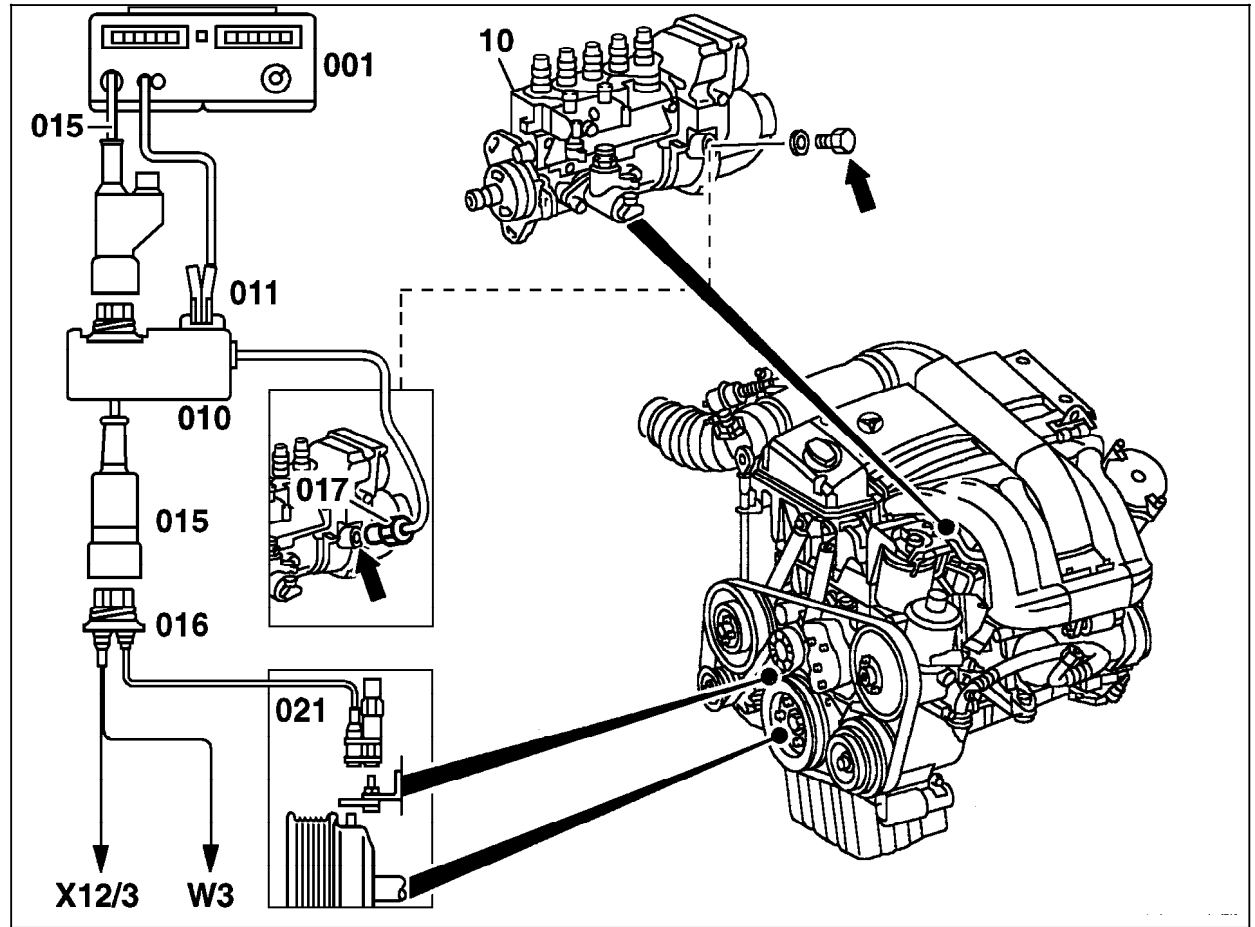


Figure 1

- 001 Digital tester
- 010 Adapter
- 011 Alligator clamp
- 015 Test cable with plug
- 016 Diagnostic socket
- 017 GIM sensor
- 021 TDC impulse sensor
- 10 In-line fuel injection pump

- W3 Ground (left front wheelhousing)
- X12/3 Terminal block (terminal 30)

U07-6342-57

B 4 Start-of-Delivery Test

Connection Diagram – Test Equipment
 Engine 606.912 IFI
 for Test Equipment **without** Adapter

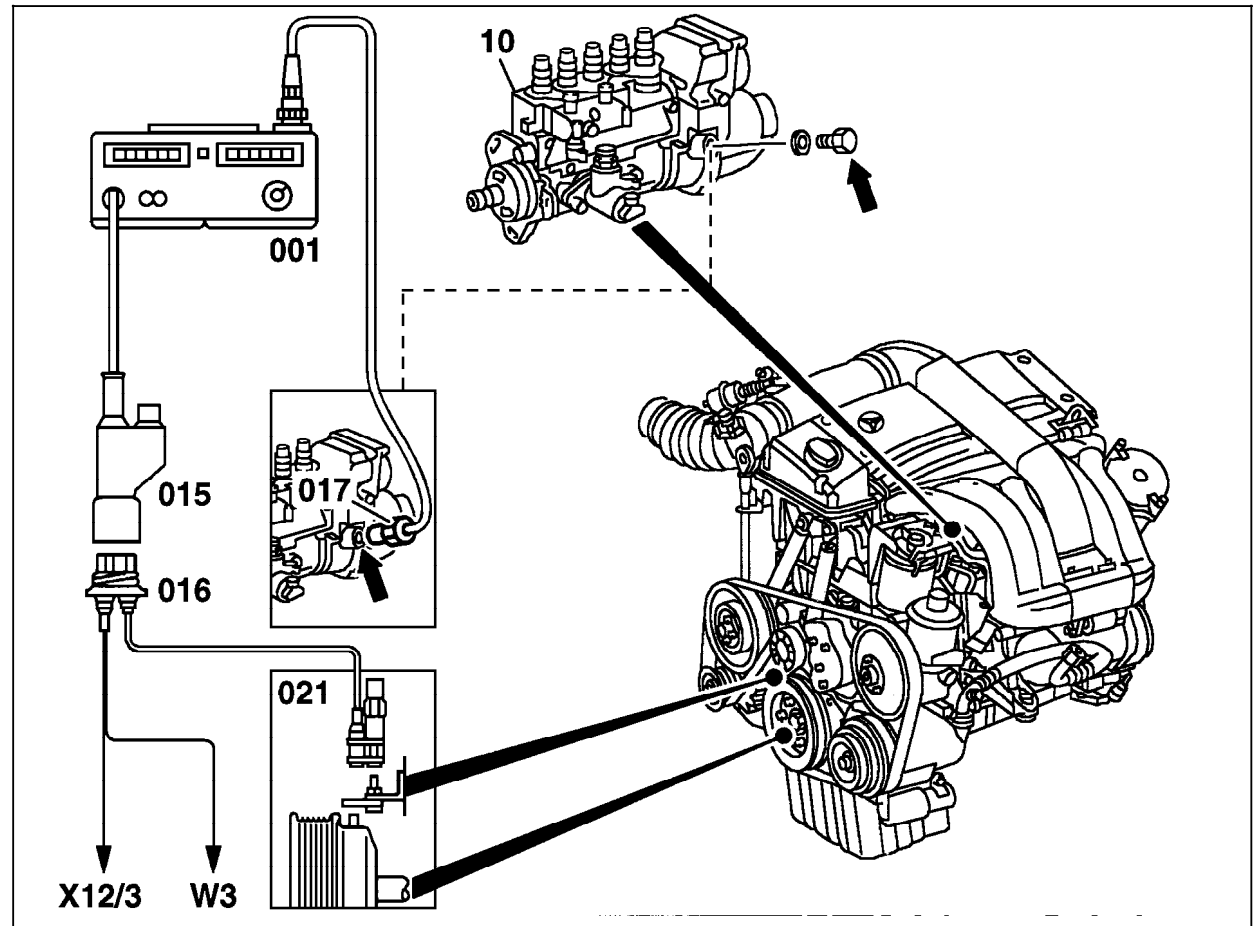


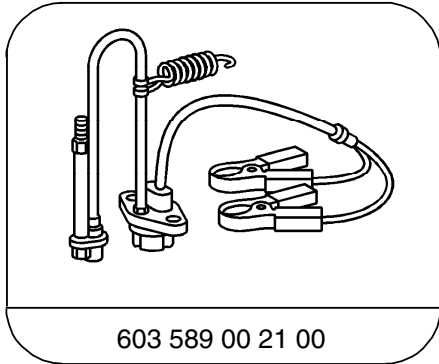
Figure 2

- 001 Digital tester
- 015 Test cable with plug
- 016 Diagnostic socket
- 017 GIM sensor
- 021 TDC impulse sensor
- 10 In-line fuel injection pump
- W3 Ground (left front wheelhousing)
- X12/3 Terminal block (terminal 30)

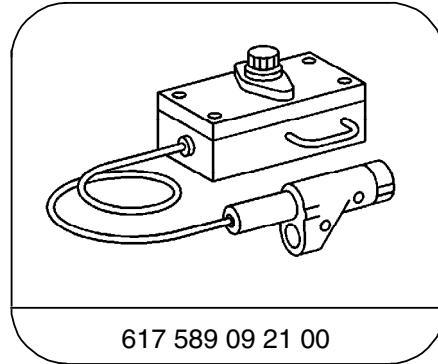
U07-6343-57

B 4 Start-of-Delivery Test

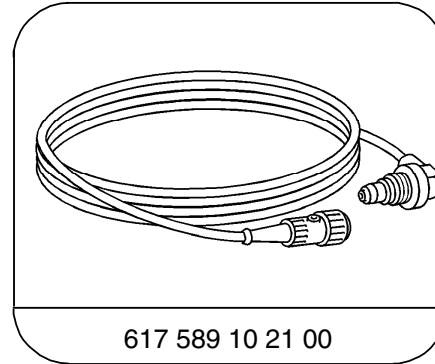
Special Tools



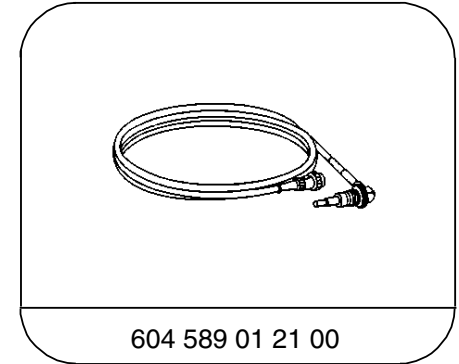
TDC sensor



GI adapter



GI sensor



RI sensor

Conventional tools, test equipment

Description	Brand, model, etc.
For use with adaptor: Engine analyzer ¹⁾	Bear DACE

¹⁾ Available through the MBUSA Standard Equipment Program.