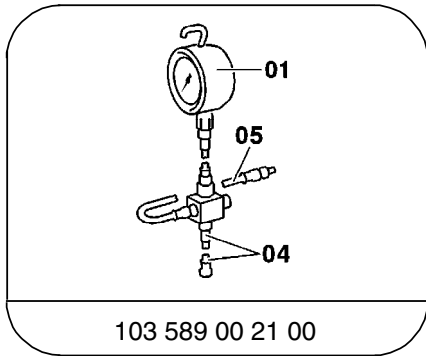


Hydraulic Test Program – Preparation for Test (Testing Fuel Pumps)

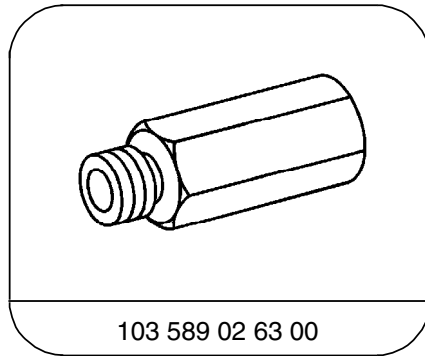
Preliminary work:

Check system pressure (see Testing Fuel System Pressure and Internal Leakage 31

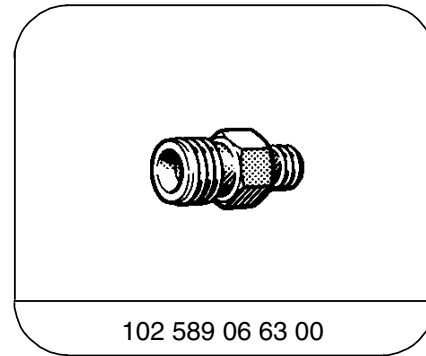
Special Tools



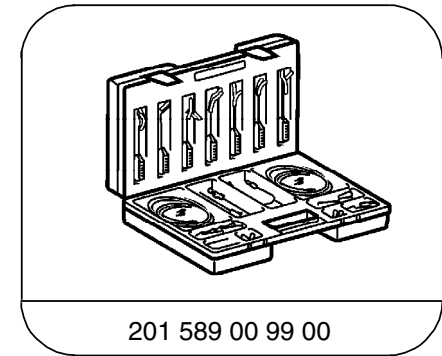
Tester



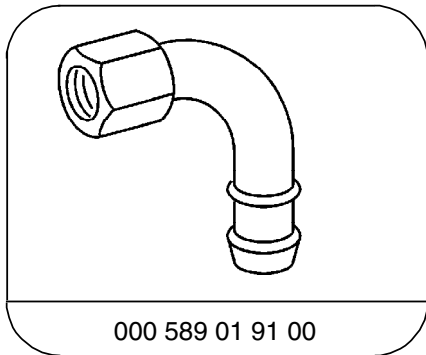
Adapter



Double connection



Electrical connecting set



Elbow fitting

Hydraulic Test Program – Preparation for Test (Testing Fuel Pumps)

Conventional tools, test equipment

Description	Brand, model, etc.
Multimeter ¹⁾	Fluke models 23, 83, 85, 87
Fuel hose, 500 mm (20 in.) long	Local purchase
Measuring glass (1 liter minimum capacity)	Local purchase
Stop watch	Local purchase

¹⁾ Available through the MBUSA Standard Equipment Program.

Hydraulic Test Program – Preparation for Test (Testing Fuel Pumps)

Connection Diagram – Delivery Test Engine 104

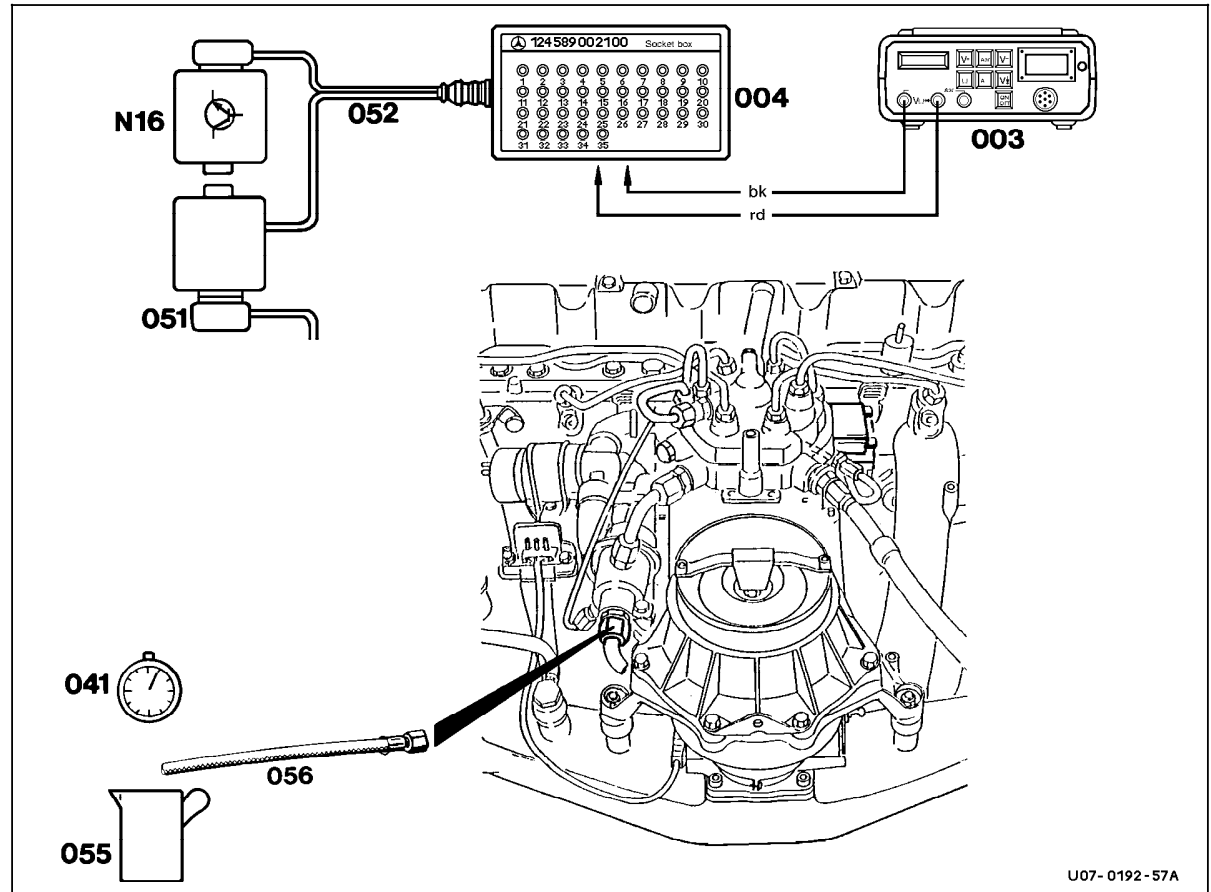


Figure 1

- 003 Multimeter
- 004 Socket box (35-pole)
- 041 Stop watch
- 051 Connector, engine systems control module
- 052 Test cable
- 055 Measuring glass
- 056 Fuel hose
- N16 Engine systems control module

U07-0192-57A

U07-0192-57A

Hydraulic Test Program – Preparation for Test (Testing Fuel Pumps)

Connection Diagram – Delivery Test Engine 119

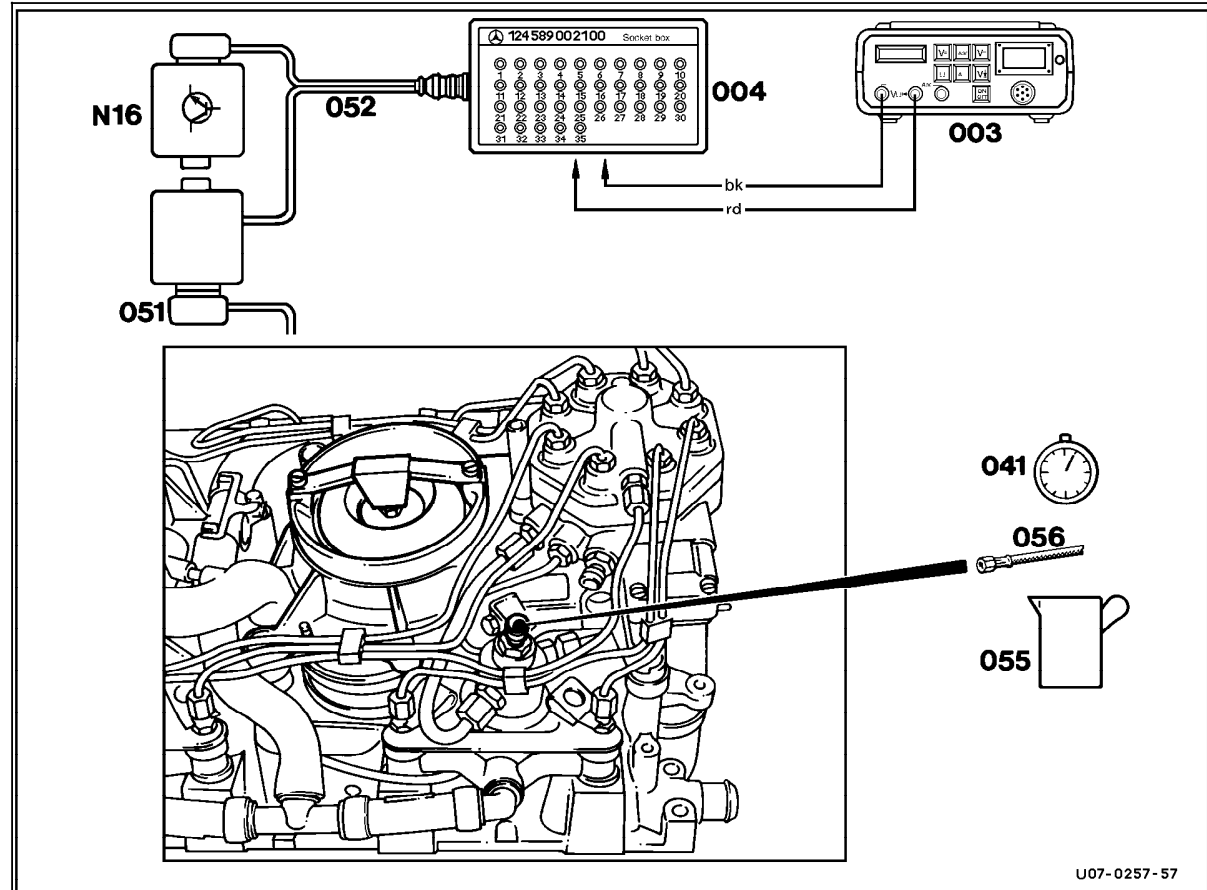


Figure 2

- 003 Multimeter
- 004 Socket box (35-pole)
- 041 Stop watch
- 051 Connector, engine systems control module
- 052 Test cable
- 055 Measuring glass
- 056 Fuel hose
- N16 Engine systems control module

U07-0257-57

U07-0257-57

Hydraulic Test Program – Preparation for Test (Testing Fuel Pumps)

Connection Diagram – Fuel Pump Pressure Test Engines 104, 119

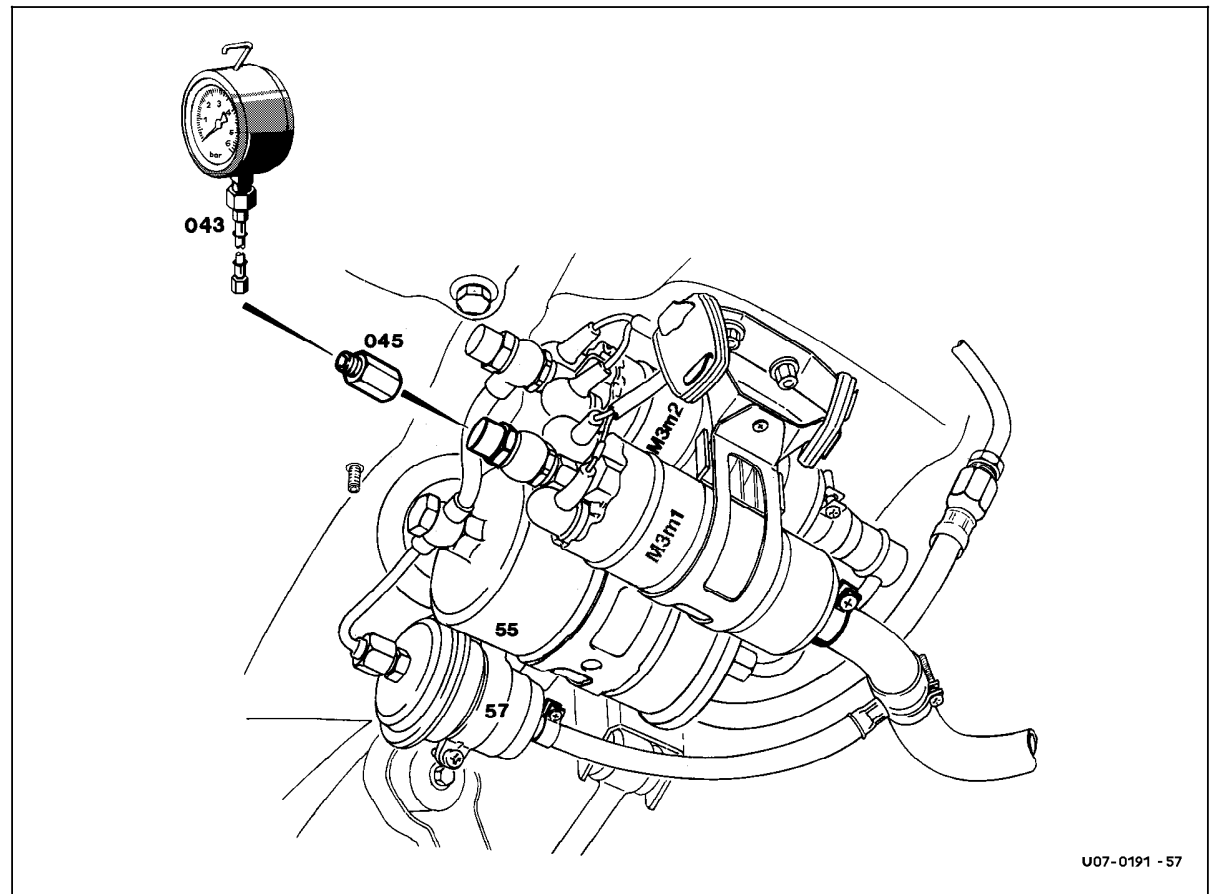


Figure 3

- 043 Pressure gauge, part no. 103 589 00 21 00
- 045 Adaptor, part no. 103 589 02 63 00
- 55 Fuel filter
- 57 Fuel accumulator
- M3m1 Fuel pump 1
- M3m2 Fuel pump 2

U07-0191-57