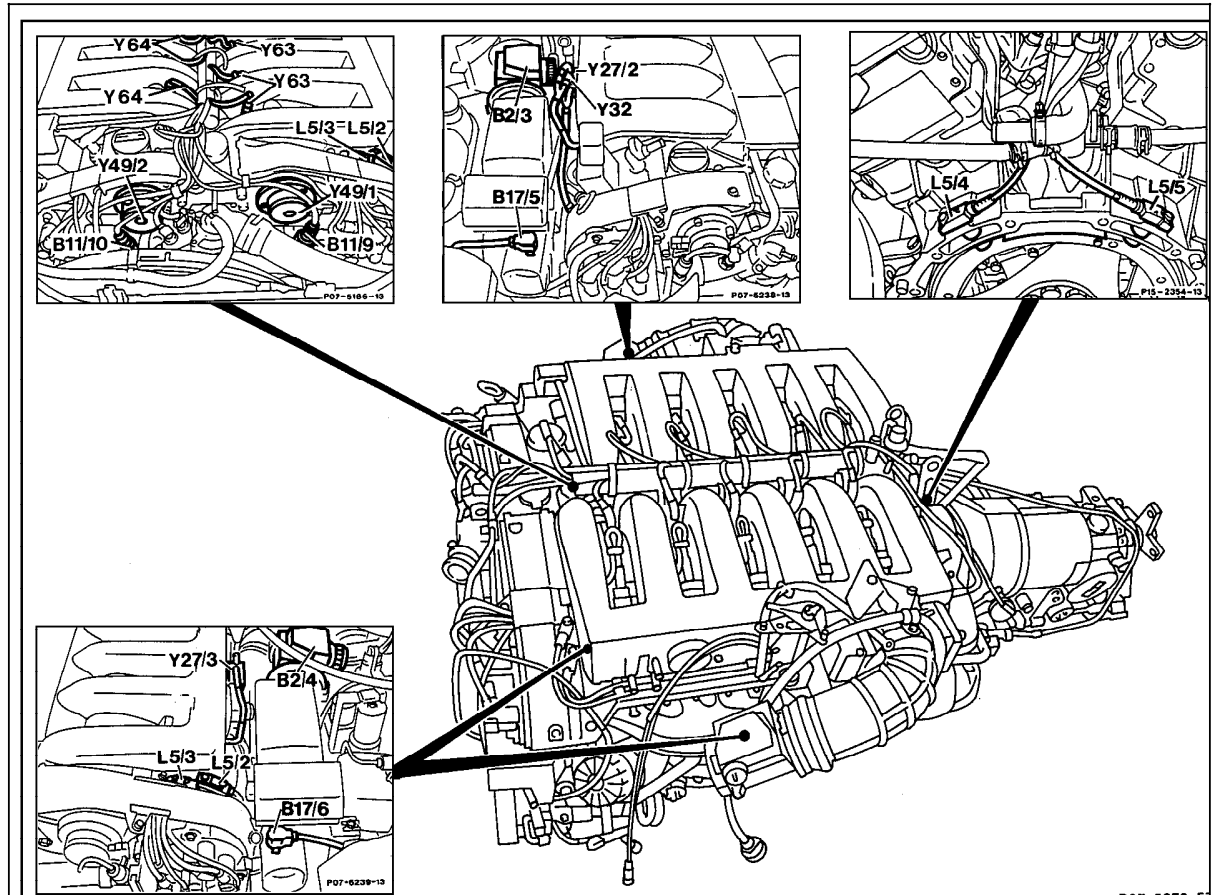


Electrical Test Program - Component Locations

Engine 120



P07-5279-57

Figure 1

- B2/3 Left hot wire MAF sensor (located on right side of engine)
- B2/4 Right hot wire MAF sensor (located on left side of engine)
- B11/9 Left ECT sensor
- B11/10 Right ECT sensor
- L5/2 Left CMP sensor
- L5/3 Right CMP sensor
- L5/4 Left CKP sensor
- L5/5 Right CKP sensor
- Y27/2 Left EGR switchover valve (located on right side of engine)
- Y27/3 Right EGR switchover valve (located on left side of engine)
- Y32 AIR pump switchover valve
- Y49/1 Left adjustable camshaft timing solenoid
- Y49/2 Right adjustable camshaft timing solenoid
- Y63 Left injectors
- Y64 Right injectors

Electrical Test Program - Component Locations

Engine and Passenger Compartment Model 129

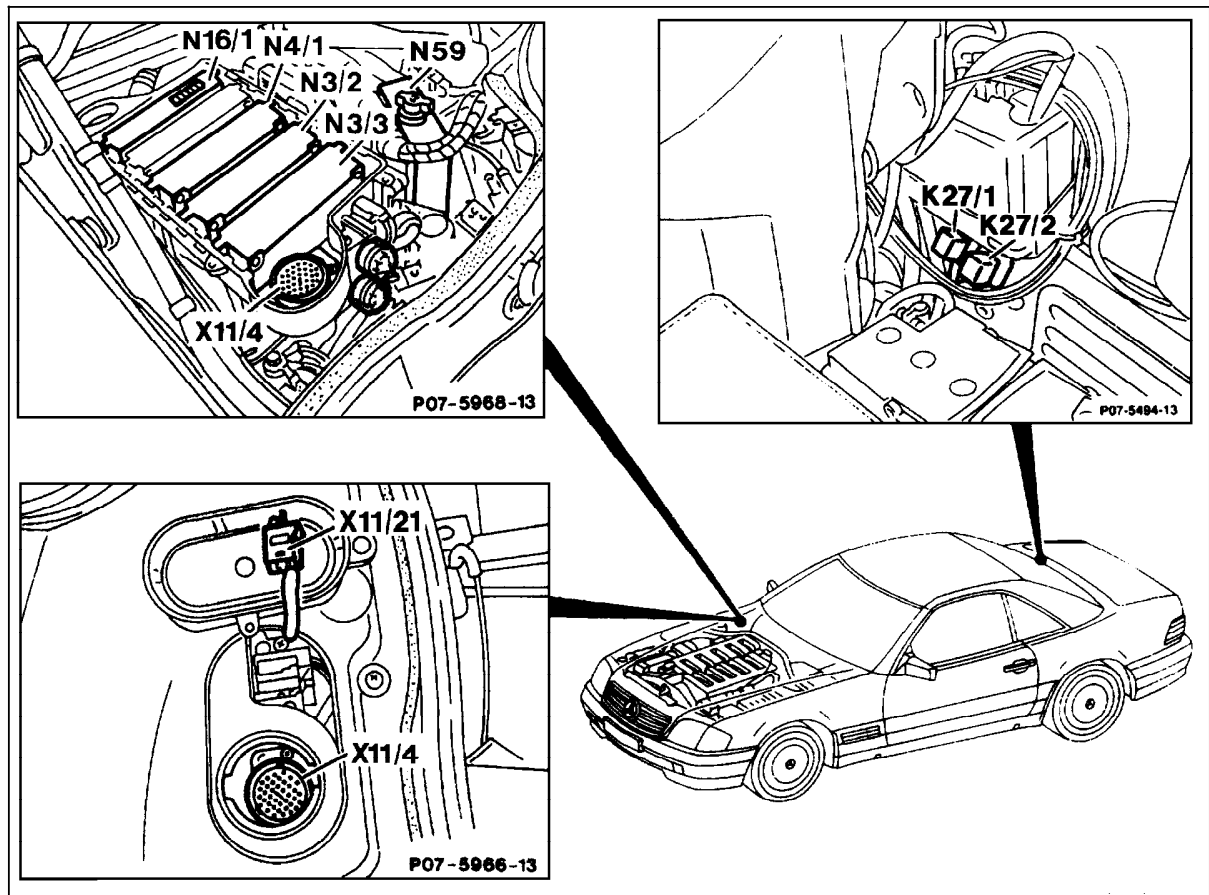


Figure 2

- K27/1 FP 1 and 2 relay module 1
 - K27/2 FP 1 and 2 relay module 2
 - N3/2 Left LH-SFI control module
 - N3/3 Right LH-SFI control module
 - N4/1 EA/CC/ISC control module
 - N16/1 Base module (BM)
 - N59 Diagnostic module (OBD I)
 - X11/4 Data link connector (DTC readout)
 - X11/21 Diagnostic module test connector (3-pole)
- (USA) - California

U07-5914-57

Electrical Test Program - Component Locations

Engine and Passenger Compartment
Model 129

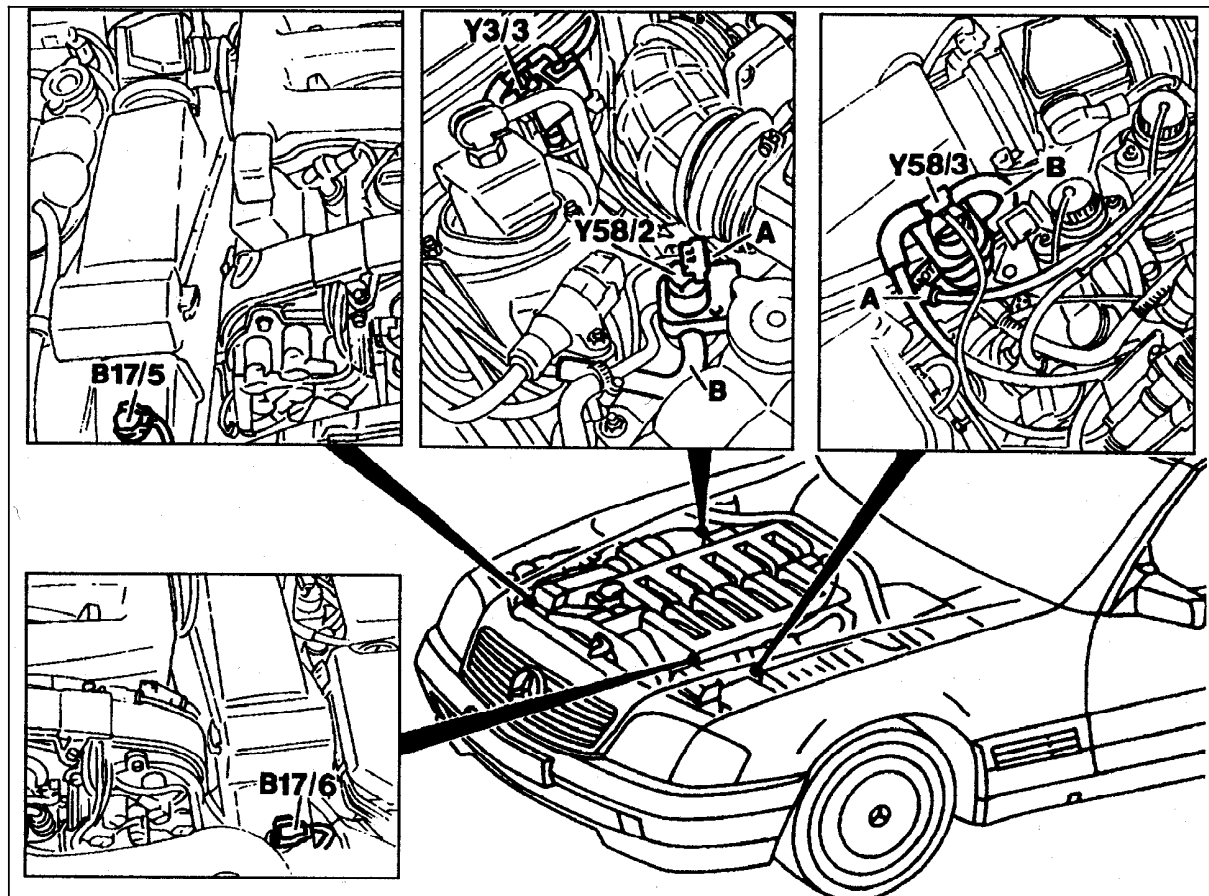


Figure 3

- B17/5 Left IAT sensor (located on right side of engine)
- B17/6 Right IAT sensor (located on left side of engine)
- Y3/3 Upshift delay switchover valve
- Y58/2 Left purge control valve (located on right side of engine)
- Y58/3 Right purge control valve (located on left side of engine)
- A Purge line to engine
- B Purge line to charcoal canister

U07-5915-57

Electrical Test Program - Component Locations

Engine and Passenger Compartment Model 129

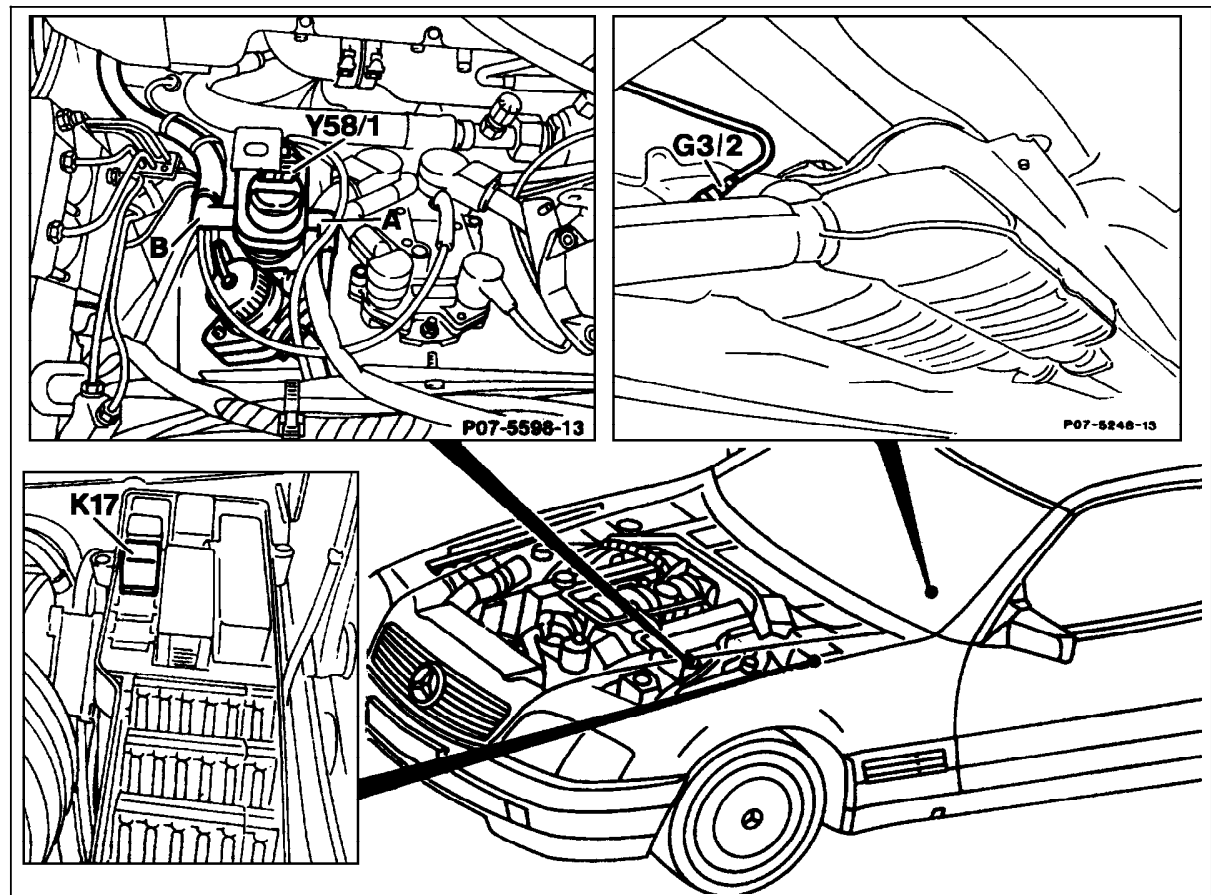


Figure 4

- G3/3 Left O2S 1 (before TWC)
- G3/4 Right O2S 1 (before TWC)
- K17 AIR relay module

U07-5906-57

Electrical Test Program - Component Locations

Engine and Passenger Compartment
Model 129

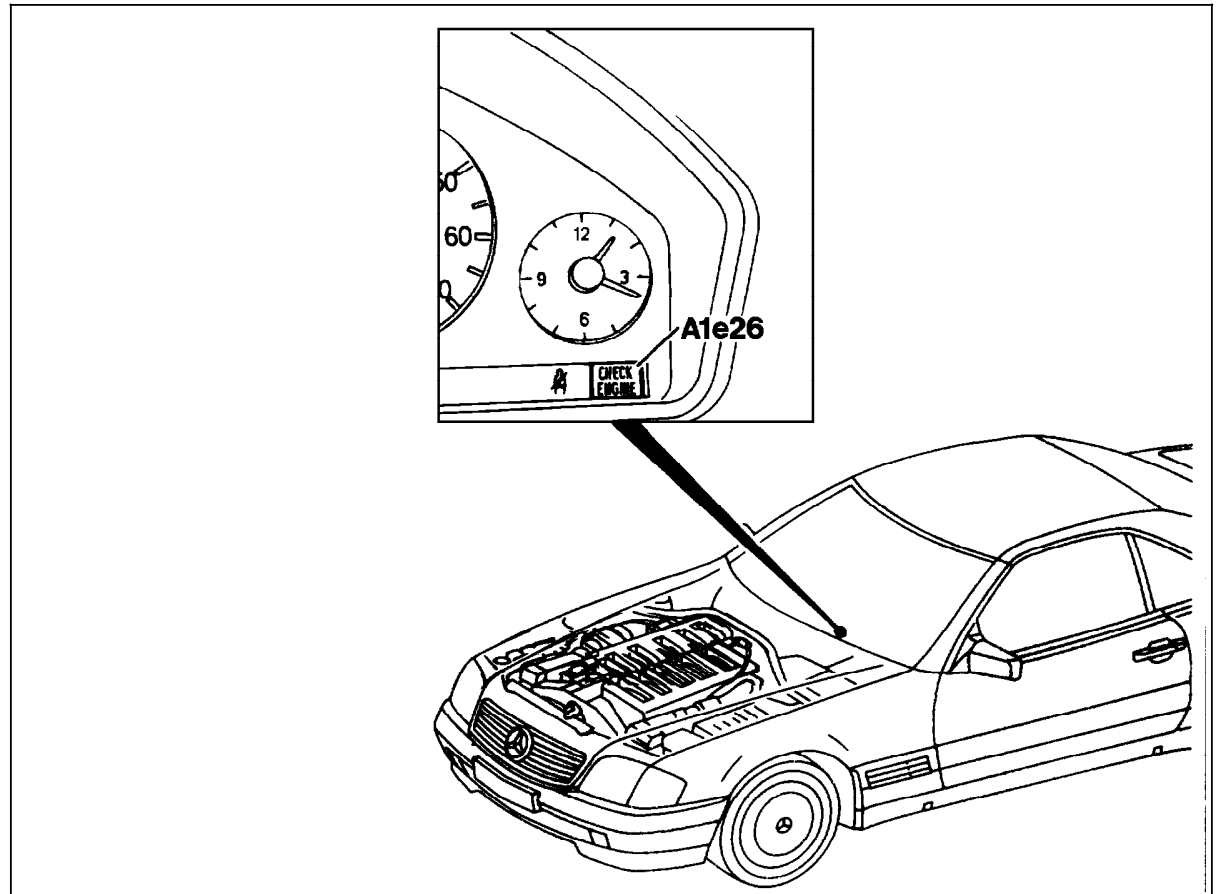


Figure 5
A1e26 "CHECK ENGINE" MIL

U07-5917-57

Electrical Test Program - Component Locations

Engine and Passenger Compartment Model 140

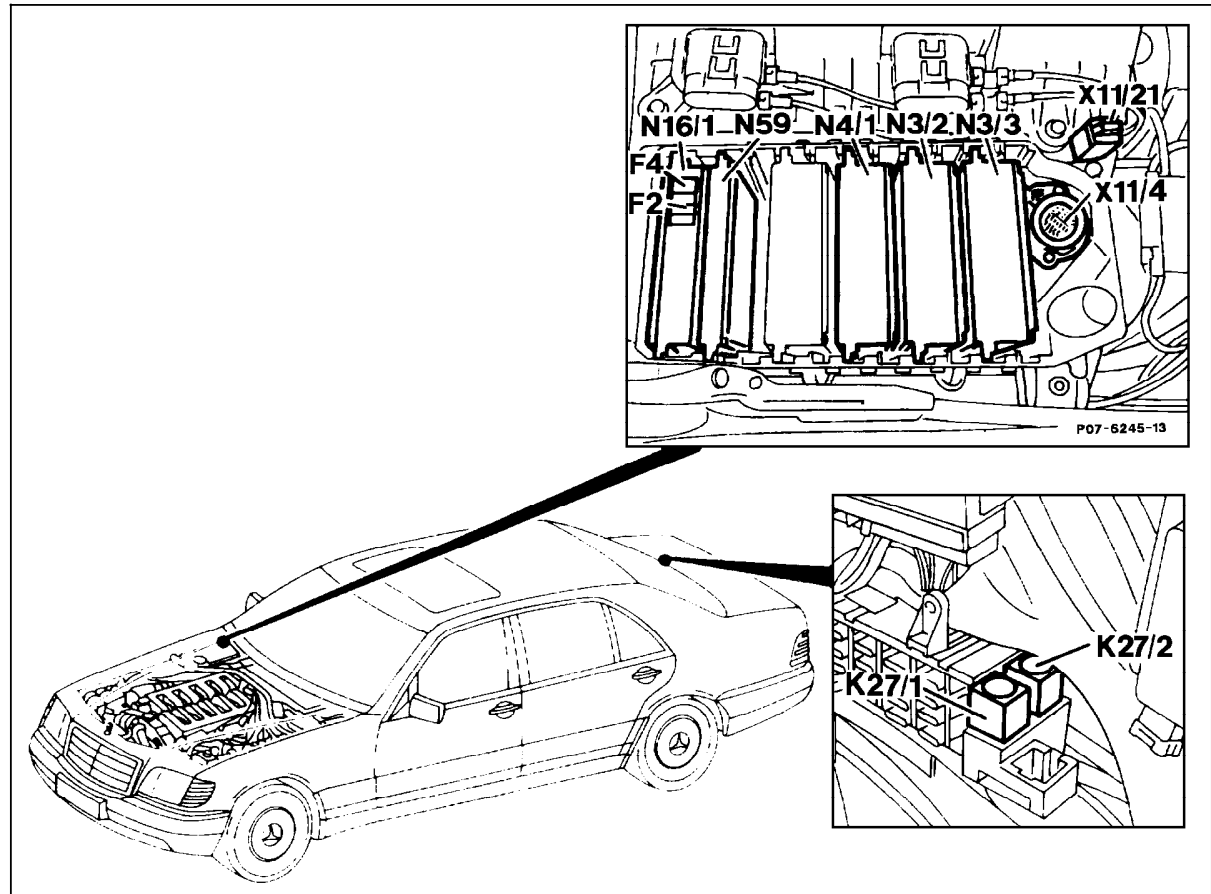


Figure 6

- K27/1 FP 1 and 2 relay module 1
 - K27/2 FP 1 and 2 relay module 2
 - N3/2 Left LH-SFI control module
 - N3/3 Right LH-SFI control module
 - N4/1 EA/CC/ISC control module
 - N16/1 Base module (BM)
 - N59 Diagnostic module (OBD I)
 - X11/4 Data link connector (DTC readout)
 - X11/21 Diagnostic module test connector (3-pole)
- USA** - California

U07-5918-57

Electrical Test Program - Component Locations

Engine and Passenger Compartment Model 140

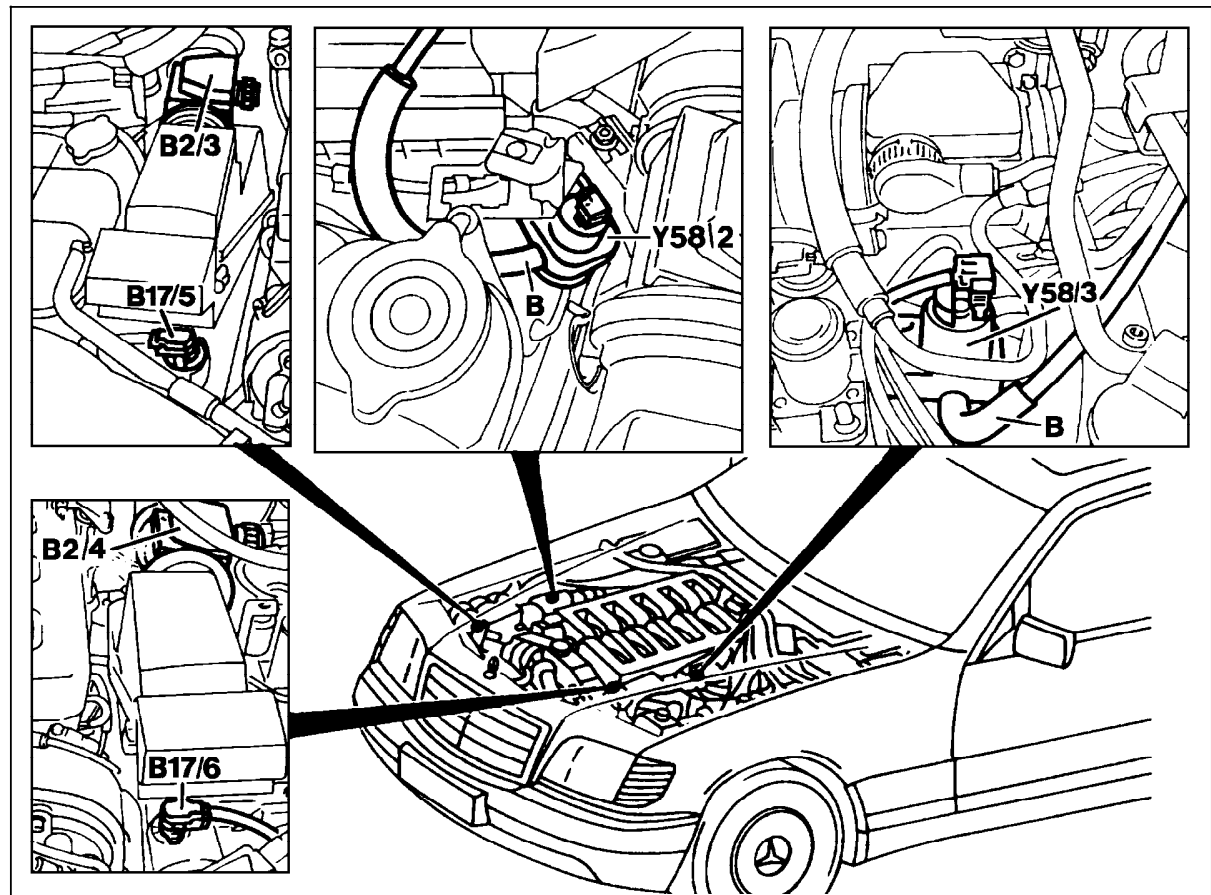


Figure 7

- B2/3 Left hot wire MAF sensor (located on right side of engine)
- B2/4 Right hot wire MAF sensor (located on left side of engine)
- B17/5 Left IAT sensor (located on right side of engine)
- B17/6 Right IAT sensor (located on left side of engine)
- Y58/2 Left purge control valve (located on right side of engine)
- Y58/3 Right purge control valve (located on left side of engine)
- B Purge line to charcoal canister

P07-5919-57

Electrical Test Program - Component Locations

Engine and Passenger Compartment Model 140

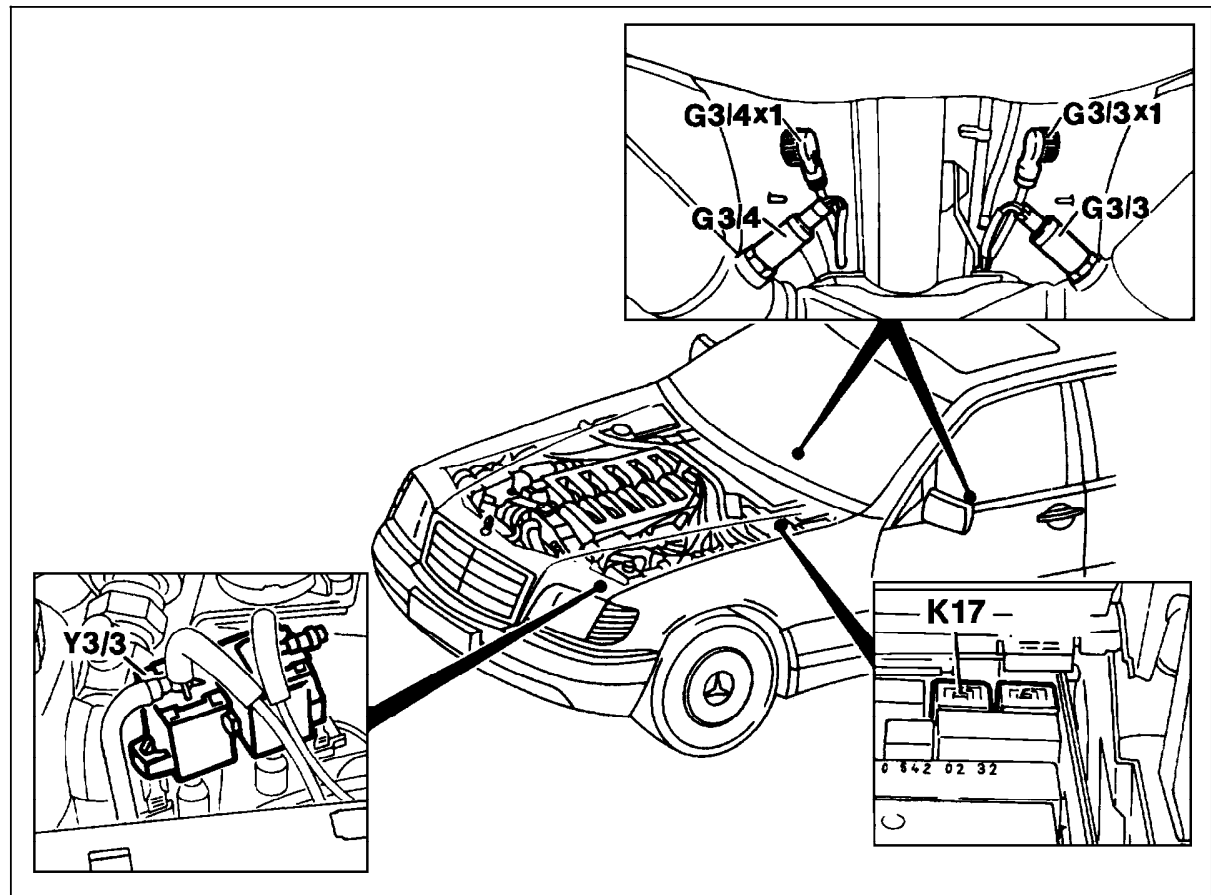


Figure 13

- G3/3 Left O2S 1 (before TWC)
- G3/4 Right O2S 1 (before TWC)
- K17 AIR relay module
- Y3/3 Upshift delay switchover valve

U07-5920-57

Electrical Test Program - Component Locations

Engine and Passenger Compartment
Model 140

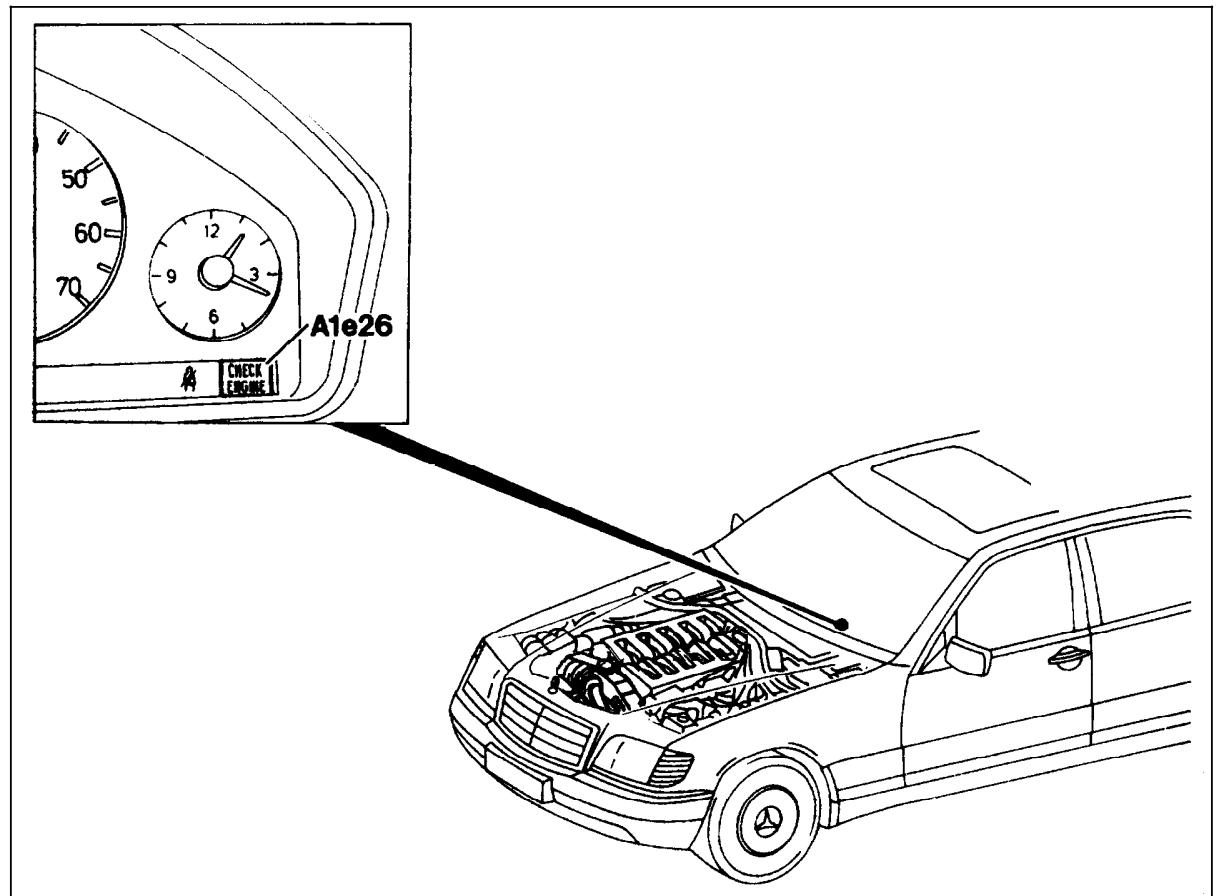


Figure 14
A1e26 "CHECK ENGINE" MIL

U07-5927-57

Electrical Test Program - Component Locations

Engine and Passenger Compartment Model 140

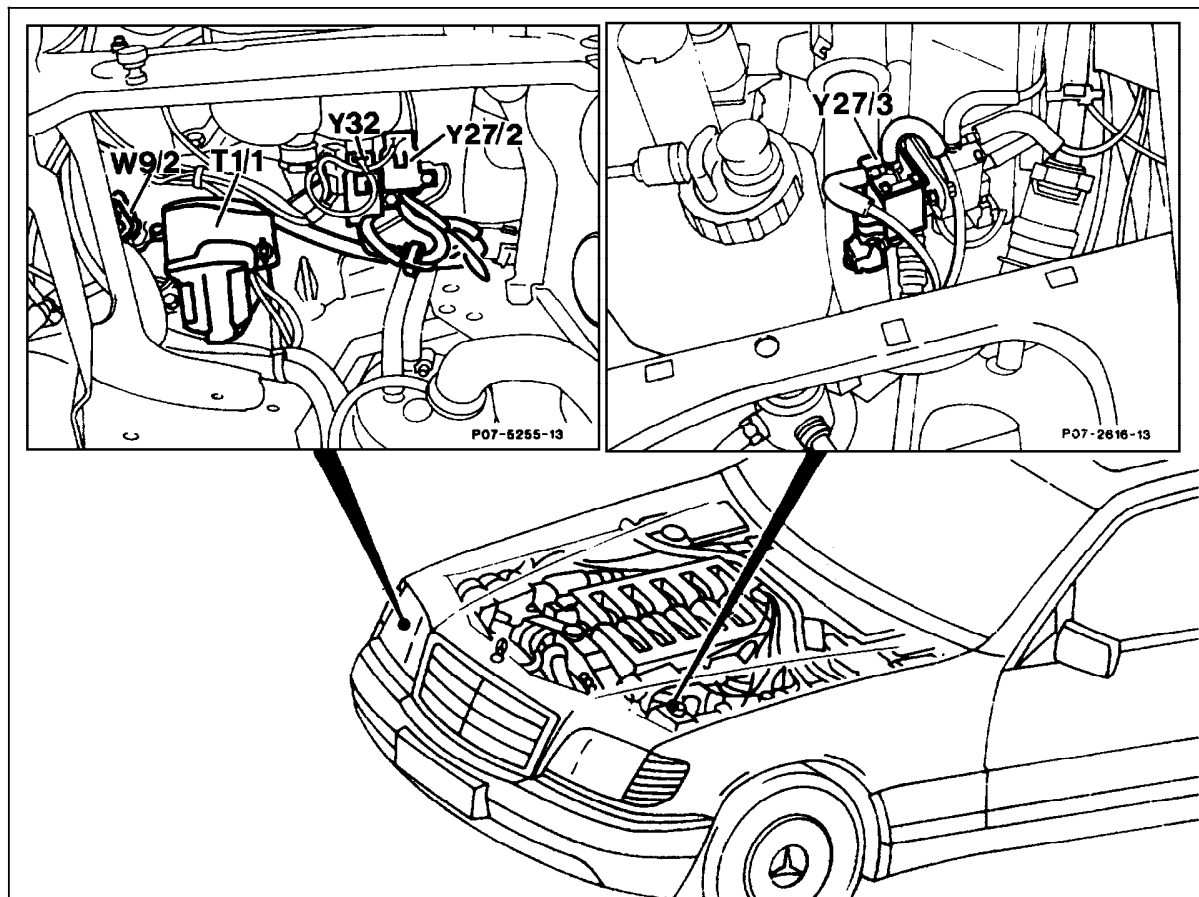


Figure 1

- Y27/2 Left EGR switchover valve (located on right side of engine)
- Y27/3 Right EGR switchover valve (located on left side of engine)
- Y32 AIR pump switchover valve

P07-5921-57