

Hydraulic Test Program - Preparation for Test (Fuel Pump Test)

Connection Diagram - Delivery Test

- Connect socket box to left LH-SFI control module (N3/2) or right LH-SFI control module (N3/3).

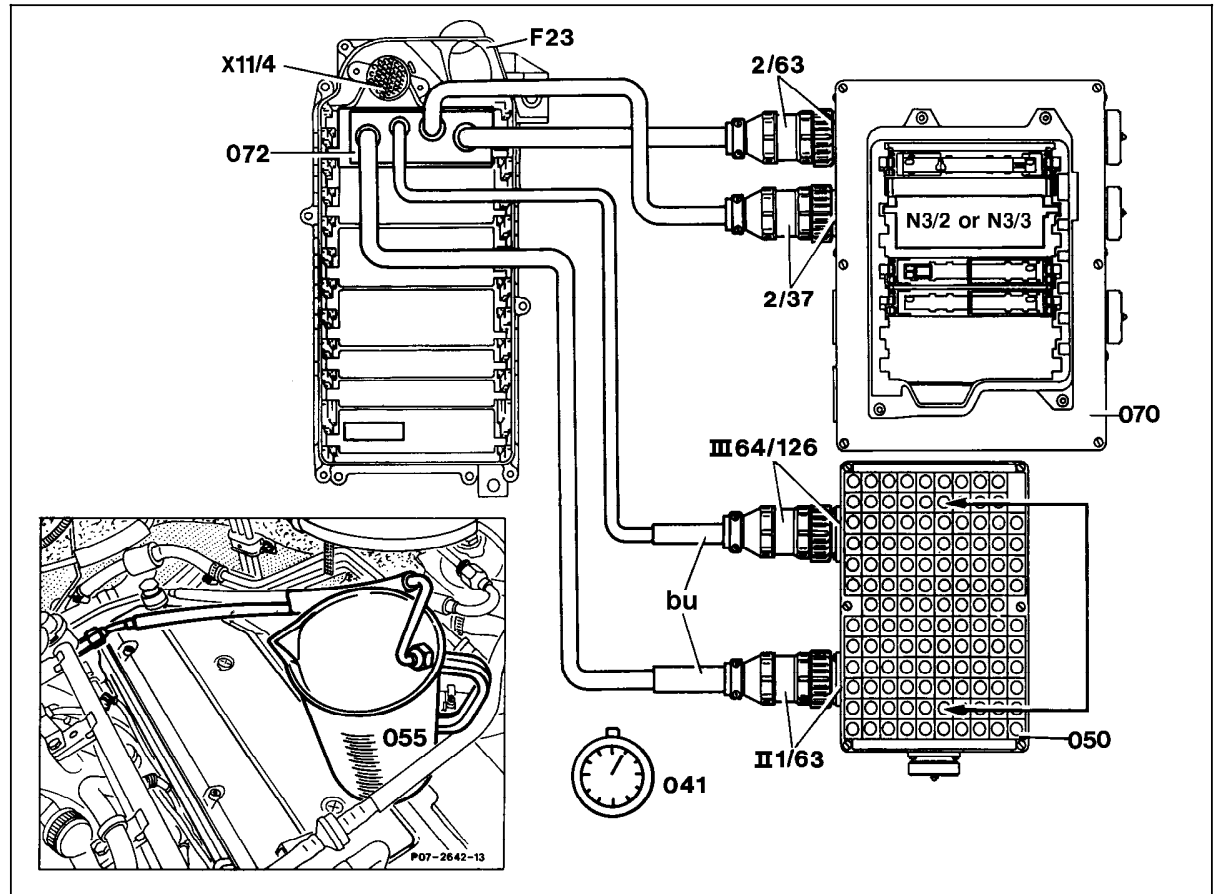


Figure 1

- 041 Stop watch
- 050 Socket box (126-pole)
- 055 Measuring glass
- 070 Contact box
- 072 Contact module
- bu blue

U07-5005-57

Hydraulic Test Program - Preparation for Test (Fuel Pump Test)

Connection Diagram - Fuel Pump Pressure Test

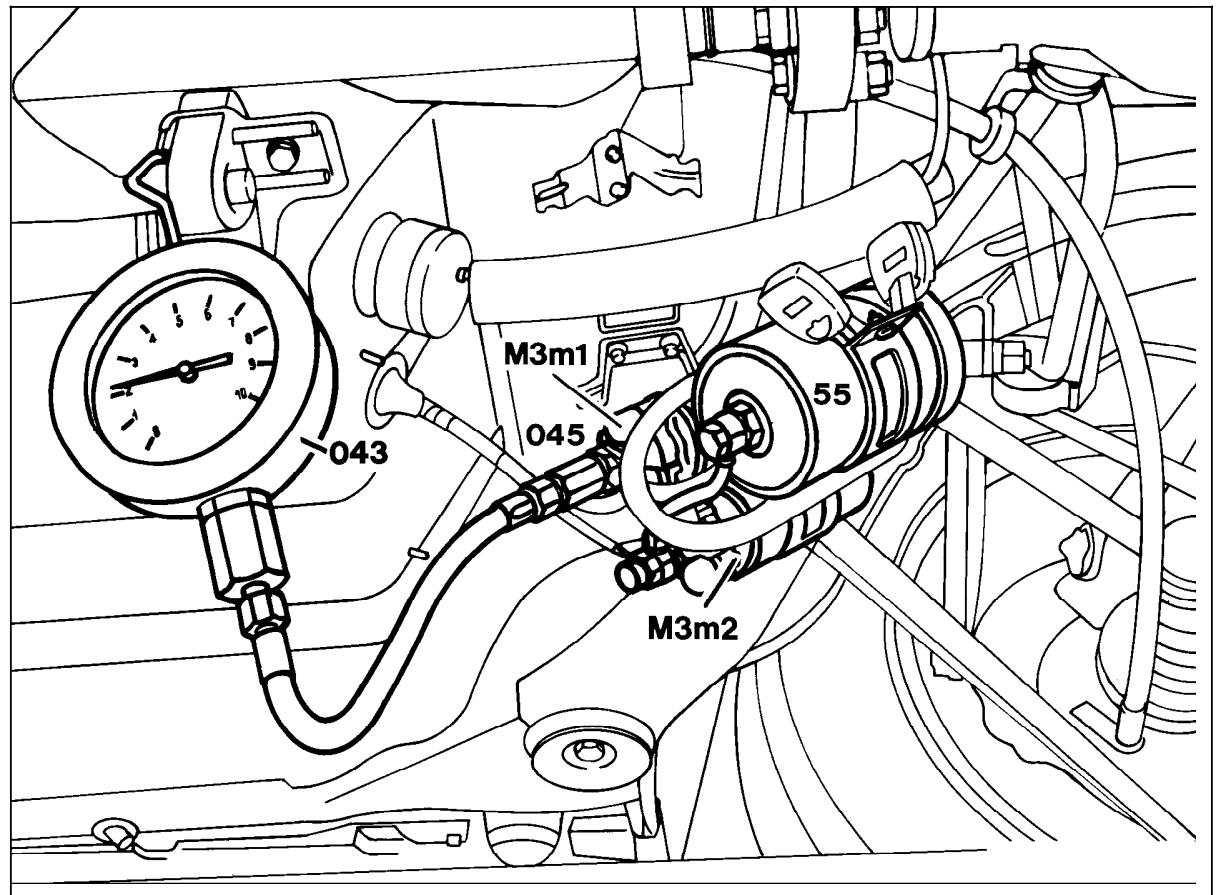


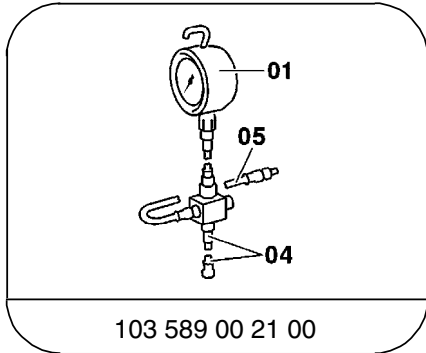
Figure 2

- 043 Pressure gauge (103 589 00 21 00)
- 045 Adaptor (103 589 02 63 00)
- 55 Fuel filter
- M3m1 Fuel pump 1
- M3m2 Fuel pump 2

P07-2645-57

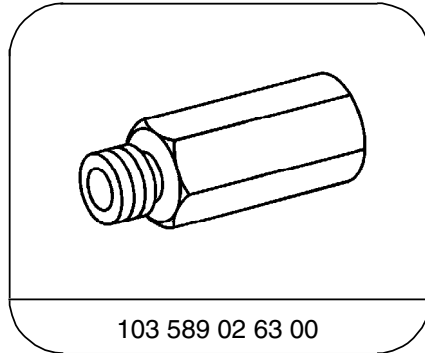
Hydraulic Test Program - Preparation for Test (Fuel Pump Test)

Special Tools



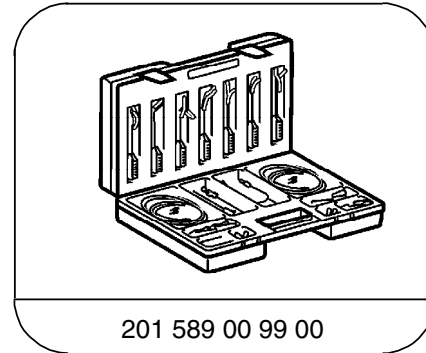
103 589 00 21 00

Tester



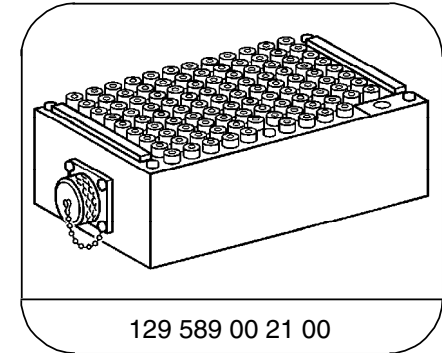
103 589 02 63 00

Adapter



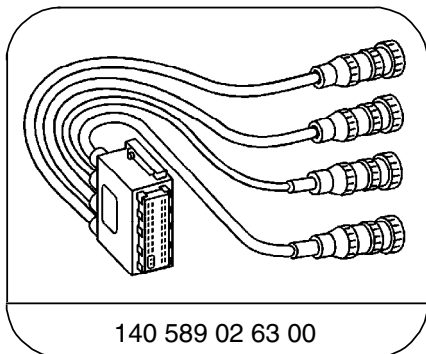
201 589 00 99 00

Electrical connecting set



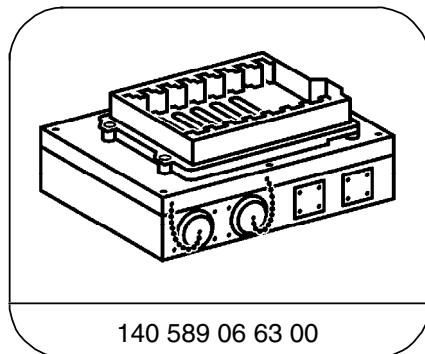
129 589 00 21 00

126-pin socket box



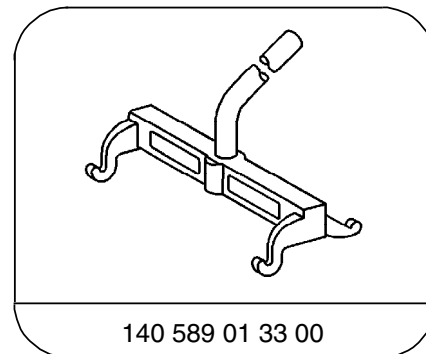
140 589 02 63 00

Contacting module 2



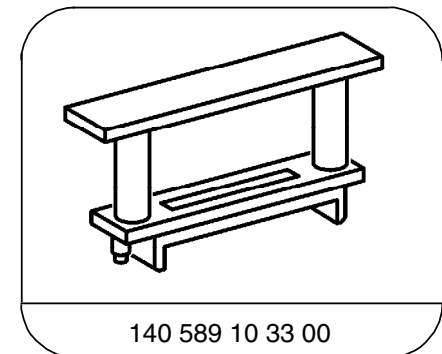
140 589 06 63 00

Contacting box



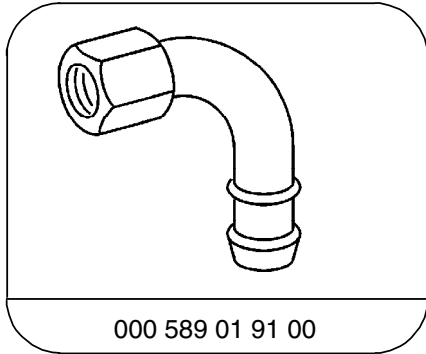
140 589 01 33 00

Mounting lever



140 589 10 33 00

Spacer



Elbow fitting

Equipment

Fuel hose, 500 mm long (20 in.)	local purchase
Measuring glass (1 liter minimum)	local purchase
Stop watch	local purchase
Multimeter ¹⁾	Fluke Model 23, 83, 85, 87

¹⁾ Available through the MBUSA Standard Equipment Program.