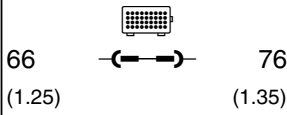
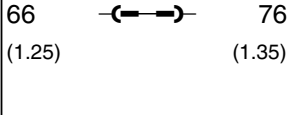


Hydraulic Test Program - Test (Injector Test)

Test step DTC	Test scope	Test connection	Test condition	Nominal value	Possible cause/Remedy
⇒ 1.0	Injectors Leakage test	N3/2 or N3/3 	Fuel rail with injectors removed. Ignition: ON	Injectors must not drip.	Replace dripping injectors.
⇒ 1.1	Injectors Operation and spray pattern test	N3/2 or N3/3 	Ignition: ON Hold each injector, one after another, into a container and, using the self-made test harness, manually activate the injector by connecting harness banana plugs to socket box sockets 64 (-) and 65 (+).	Injectors must spray evenly (Figure 1).	Replace defective injectors.

Hydraulic Test Program - Test (Injector Test)

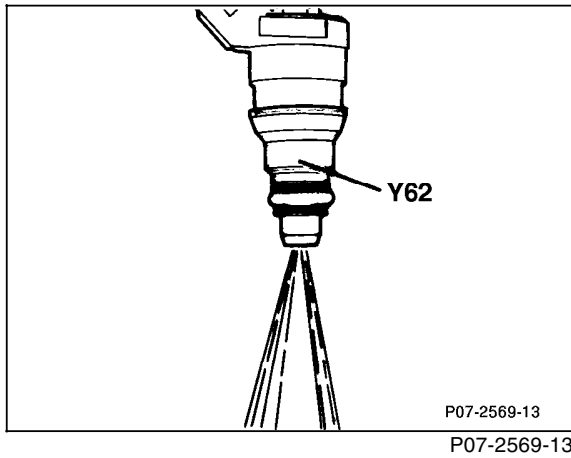


Figure 1

Acceptable injector spray pattern.