

Electrical Test Program - Electronic Accelerator Component Locations

Engine Compartment,
Models 124, 129 with Engine 104

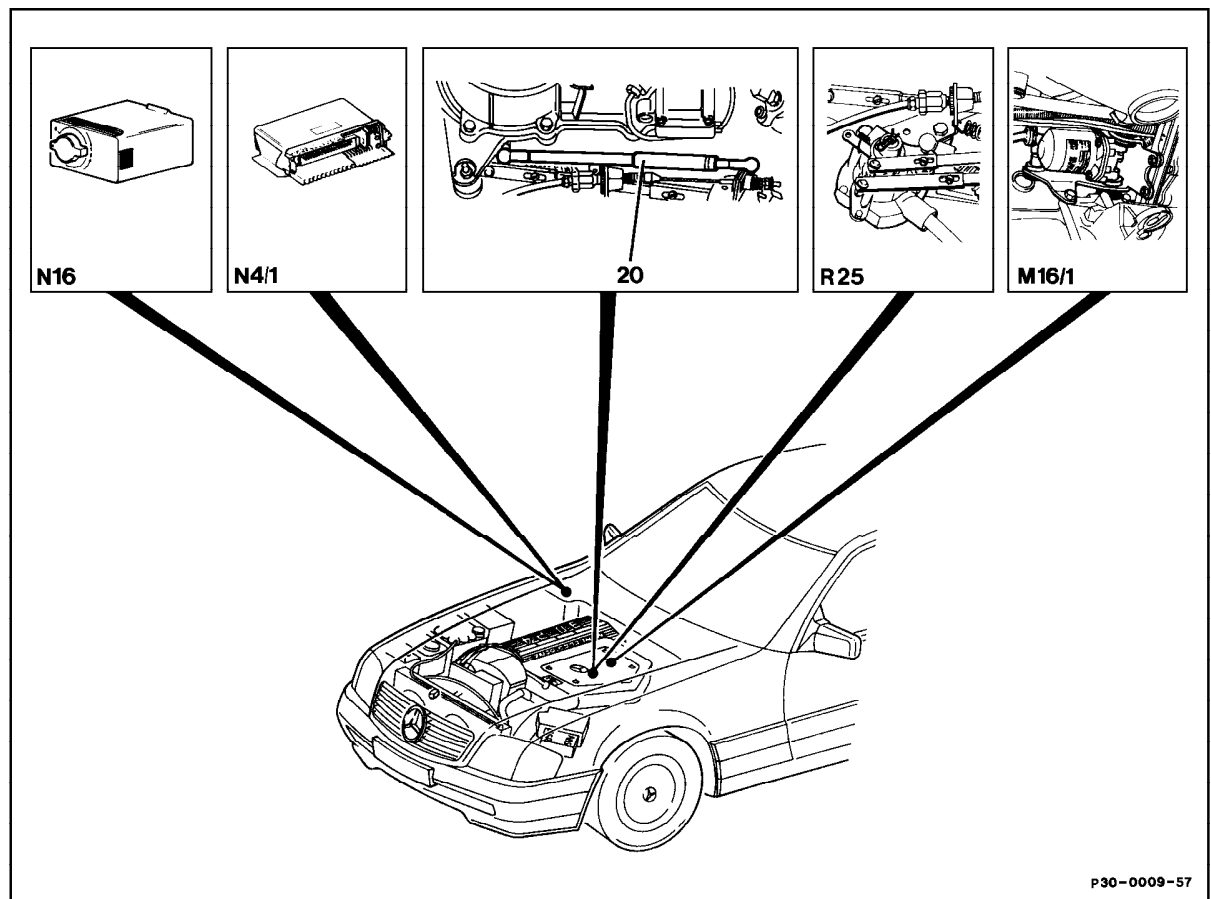


Figure 1

- N4/1 Electronic accelerator/cruise control (EA/CC) module
- N16 Engine systems control module (MAS)
- M16/1 EA/CC actuator
- R25 Accelerator pedal position sensor
- 20 Telescoping linkage rod (back-up linkage)

P30-0009-57

P30-0009-57

Electrical Test Program - Electronic Accelerator Component Locations

Passenger Compartment
Models 124, 129 with Engine 104

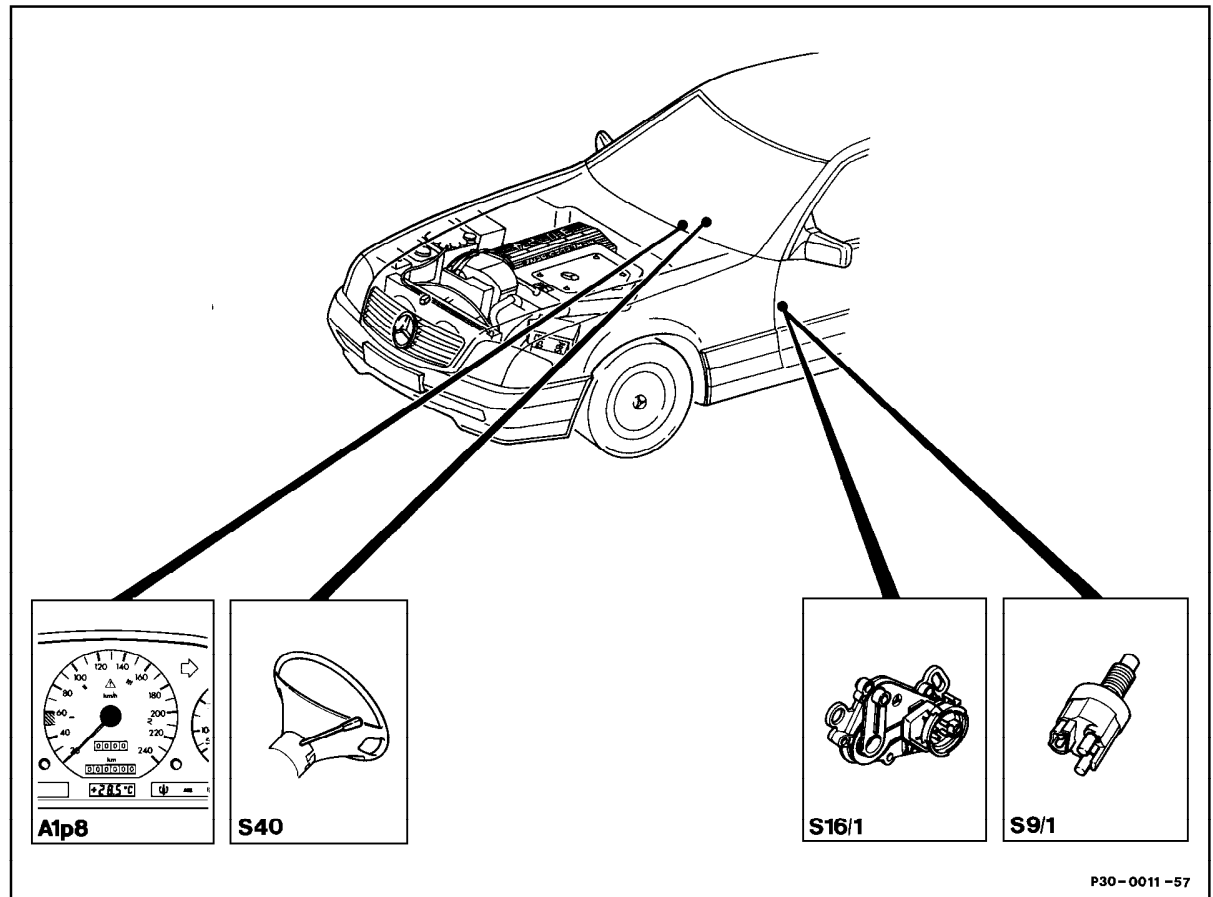


Figure 2

- A1p8 Electronic speedometer with top speed limitation
- S9/1 Stop lamp switch
- S16/1 Starter lock-out/backup lamp switch
- S40 Cruise control switch
- V Decelerate/set
- B Accelerate/set
- SP Resume
- A Off

P30-0011-57

P30-0011-57

Electrical Test Program - Electronic Accelerator Component Locations

Engine Compartment,
Model 129 with Engine 119

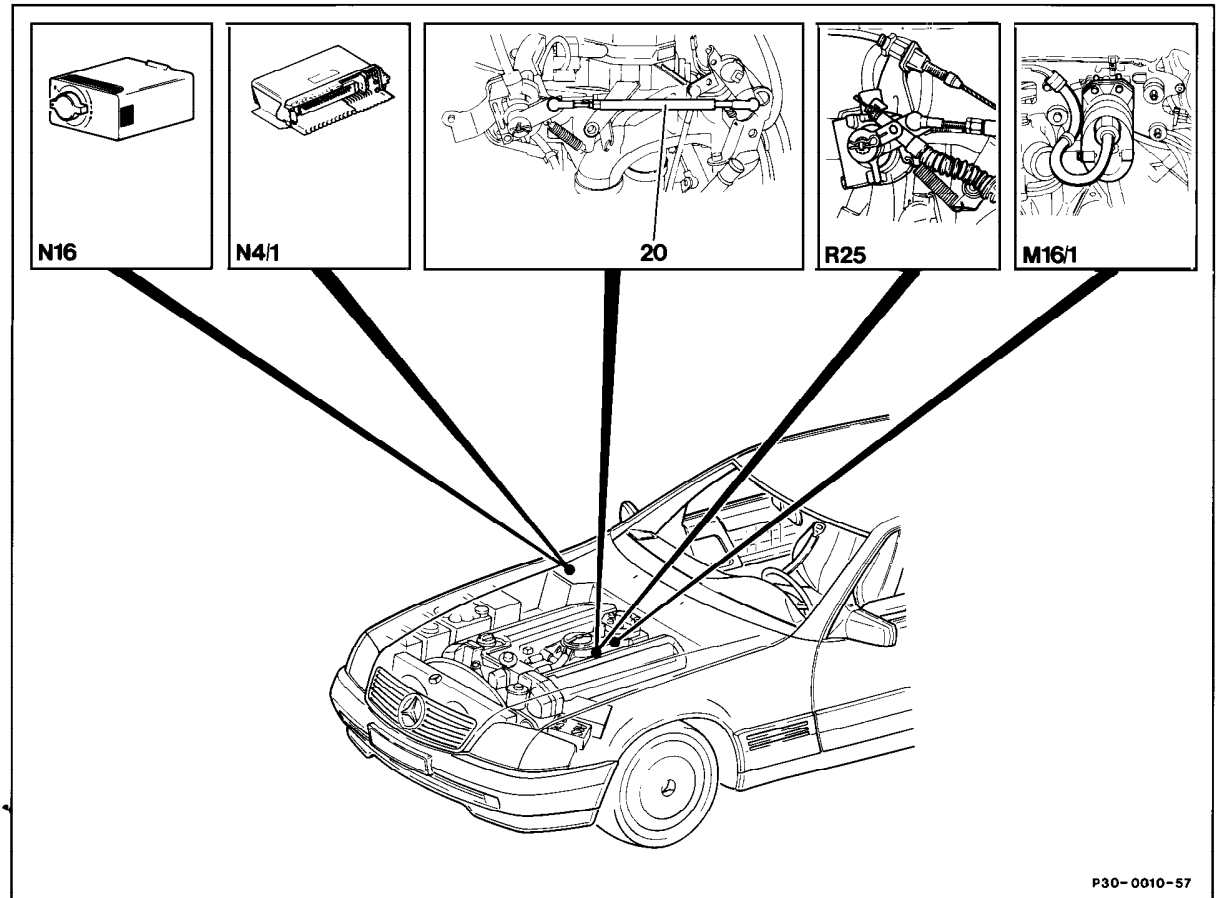


Figure 3

- N4/1 Electronic accelerator/cruise control (EA/CC) module
- N16 Engine systems control module (MAS)
- M16/1 EA/CC actuator
- R25 Accelerator pedal position sensor
- 20 Telescoping linkage rod (back-up linkage)

P30-0010-57

P30-0010-57

Electrical Test Program - Electronic Accelerator Component Locations

Passenger Compartment
Model 129 with Engine 119

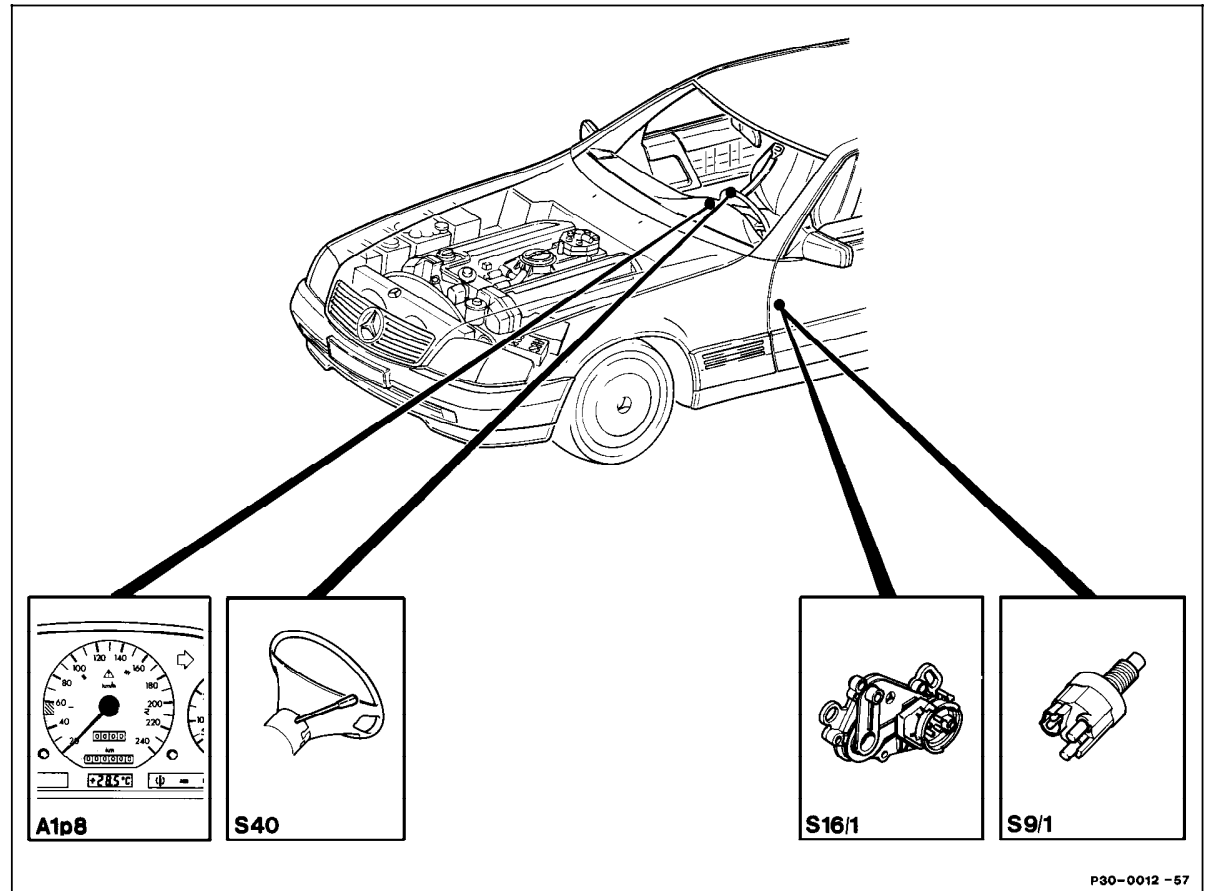


Figure 4

- A1p8 Electronic speedometer with top speed limitation
- S9/1 Stop lamp switch
- S16/1 Starter lock-out/backup lamp switch
- S40 Cruise control switch
- V Decelerate/set
- B Accelerate/set
- SP Resume
- A Off

P30-0012 - 57

P30-0012-57