

Electrical Test Program - Component Locations

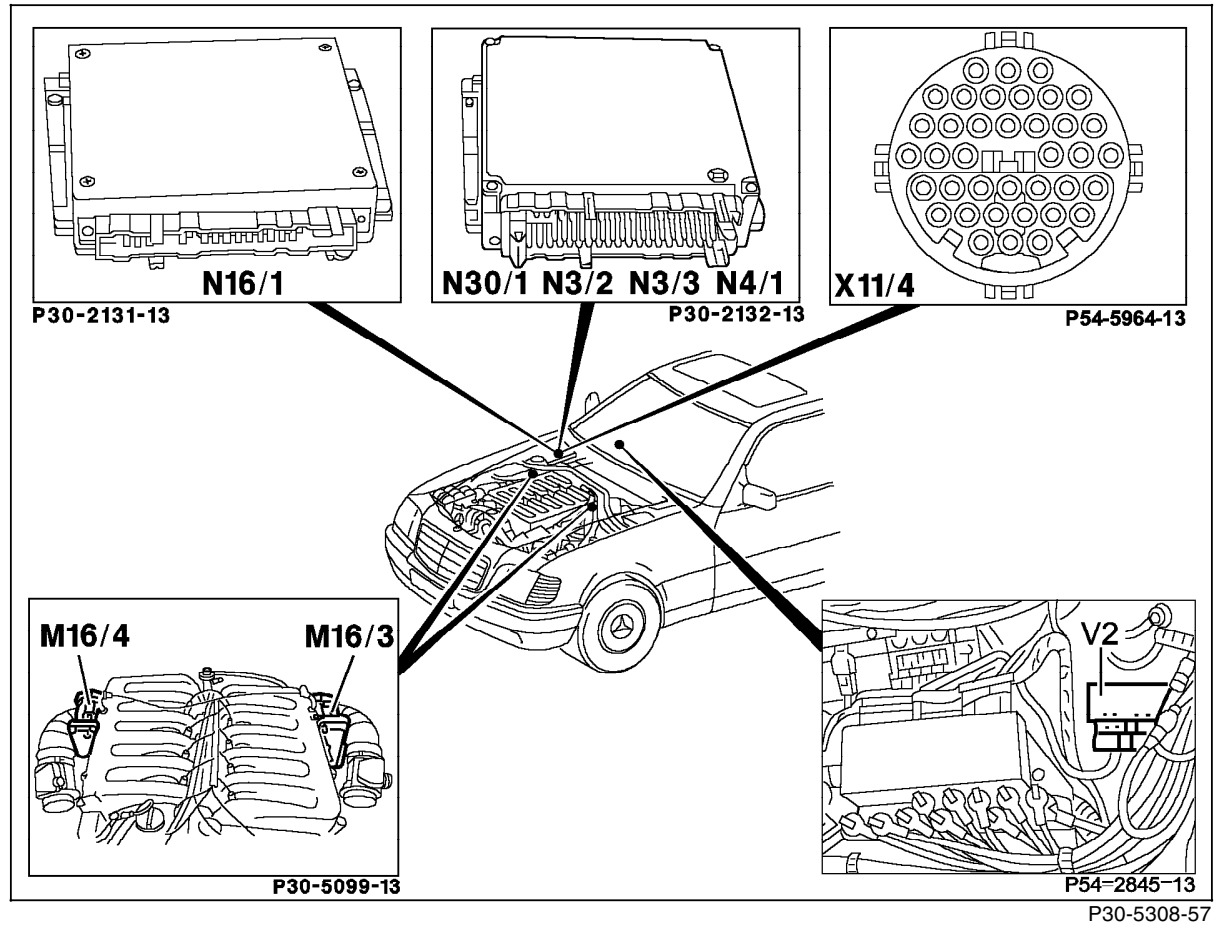


Figure 1

- M16/3 Right EA/CC/ISC actuator
(located on left side of engine)
- M16/4 Left EA/CC/ISC actuator
(located on right side of engine)
- N3/2 Left LH-SFI control module
- N3/3 Right LH-SFI control module
- N4/1 EA/CC/ISC control module
- N16/1 Base module
- N30/1 ABS/ASR control module
- N59 Diagnostic module (OBD I)
- V2 Engine rpm increase diode matrix
(Model 140 only, in right footwell)
- X11/4 Data link connector (DTC readout) (38-pole)

Electrical Test Program - Component Locations

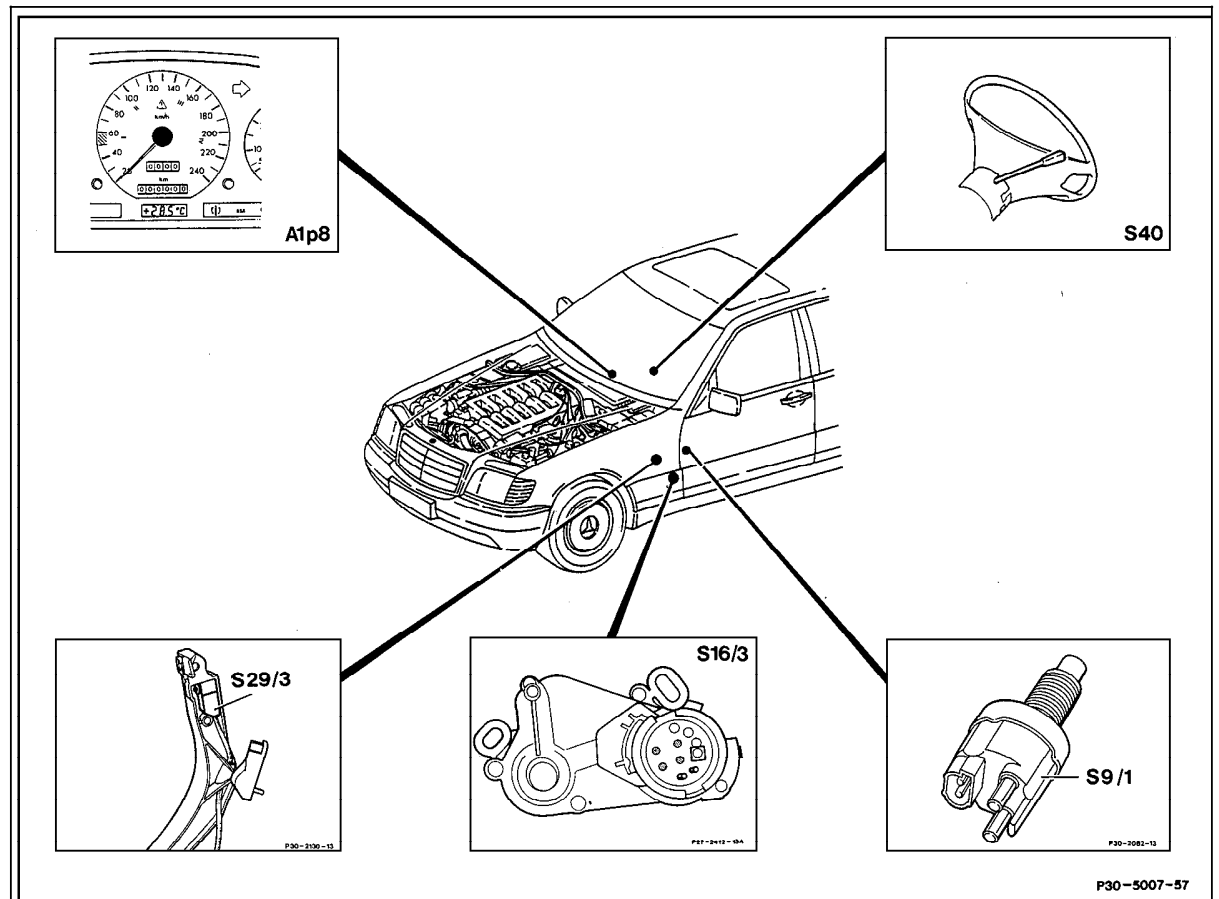


Figure 2

- A1p8 Electronic speedometer with top speed limitation
- S9/1 Stop lamp switch
- S16/3 Starter lock-out/backup lamp switch (transmission range recognition)
- S29/3 Closed throttle position switch
- S40 Cruise control switch
- V Decelerate/set
- B Accelerate/set
- SP Resume
- A Off

P30-5007-57
P30-5007-57