

Diagnosis - Diagnostic Trouble Code (DTC) Memory

Preparation for recalling diagnostic trouble code memory

1. Connect impulse counter and adaptor for impulse counter scan tool to diagnostic connector (X11/4) according to connection diagram (see section 0).

Note:

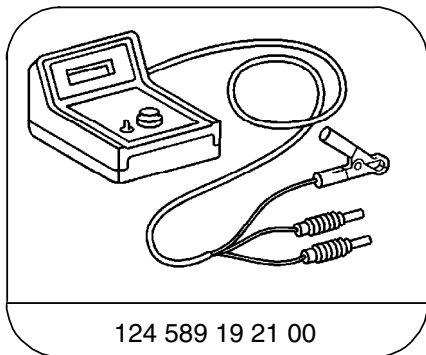
Connect impulse counter scan tool as follows:
 red wire to socket 3,
 black wire to socket 1 and
 yellow wire to:

Diagnostic module	socket 19
Base module	socket 8

LH-SFI control module	socket 4
Ignition control module	socket 17
EA/CC/ISC control module	socket 7

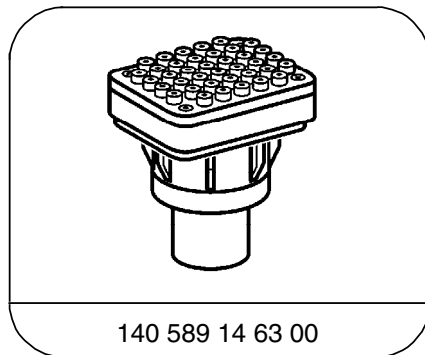
2. Recall control module diagnostic trouble code memory and clear stored diagnostic trouble codes (see section 0).

Special Tools



124 589 19 21 00

Pulse counter



140 589 14 63 00

Adapter

Diagnosis - Diagnostic Trouble Code (DTC) Memory

Diagnostic Trouble Code (DTC) Readout, Diagnostic Module

Diagnostic Trouble Code (DTC)	Possible Cause	Remedy/Test Step ¹⁾
1	No malfunction in systems monitored	–
2	Heated oxygen sensor inoperative	Test LH-SFI, section 3.1.
3	Lambda control inoperative	Test LH-SFI, section 3.1.
4	Air injection inoperative	Test LH-SFI, section 3.1.
5	Exhaust gas recirculation inoperative	Test LH-SFI, section 3.1.
6	Idle speed control inoperative	Test electronic accelerator, section 6.2.
7	Ignition system defective	Test distributor ignition system, section 5.2.
8	Engine coolant temperature sensor, open/short circuit	Test LH-SFI, section 3.1.
9	Intake air temperature sensor, open/short circuit	Test LH-SFI, section 3.1.
10	Voltage at mass air flow sensor too high/low	Test LH-SFI, section 3.1.
11	TN-signal (rpm) at LH-SFI control module (N3/1) defective	Test LH-SFI, section 3.1.
12	Heated oxygen sensor heater, open/short circuit	Test LH-SFI, section 3.1.
13	Camshaft position sensor signal of ignition control module defective.	Test LH-SFI, section 3.1.
14	Intake manifold pressure at start (in ignition control module - N1/3) too low/high	Vacuum supply to N1/3, test distributor ignition system, section 5.2.
15	Wide open throttle information defective	Test electronic accelerator, section 6.2.

¹⁾ Observe Preparation for Test, see 22.

Diagnosis - Diagnostic Trouble Code (DTC) Memory

Diagnostic Trouble Code (DTC)	Possible Cause	Remedy/Test Step ¹⁾
16	Closed throttle position information defective	Test electronic accelerator, section 6.2.
17	Data exchange malfunction between individual control modules	23 ⇒ 7.0.
18	Adjustable camshaft timing solenoid, open/short circuit	Test LH-SFI, section 3.1.
19	Fuel injectors open/short circuit or self-adaptation in LH-SFI control module (N3/1) at limit	Test LH-SFI and reset LH-SFI control module adaptation to mean value, section 3.1.
20	Speed signal not present	Test electronic accelerator, section 6.2.
21	Purge switchover valve, open/short circuit	Test LH-SFI, section 3.1.
22	Camshaft position sensor signal defective	Test distributor ignition system, section 5.2.
23	Intake manifold pressure (in ignition control module - N1/3) with engine running too low/high	Vacuum supply to N1/3, test distributor ignition system, section 5.2.
24	Starter ring gear segments and/or crankshaft position sensor defective	Test distributor ignition system, section 5.2.
25	Knock sensors or ignition control module defective	Test distributor ignition system, section 5.2.
26	Upshift delay 1→2 (model 124.034 only), 2 → 3 (all models)	Test LH-SFI, section 3.1.
27	Engine coolant temperature sensor deviation between sensor circuit 1 and sensor circuit 2	Test LH-SFI, section 3.1.
28	Engine coolant temperature sensor (coolant temperature change monitor)	Test LH-SFI, section 3.1.

¹⁾ Observe Preparation for Test, see 22.