

## Electrical Test Program – Component Locations

Model 210

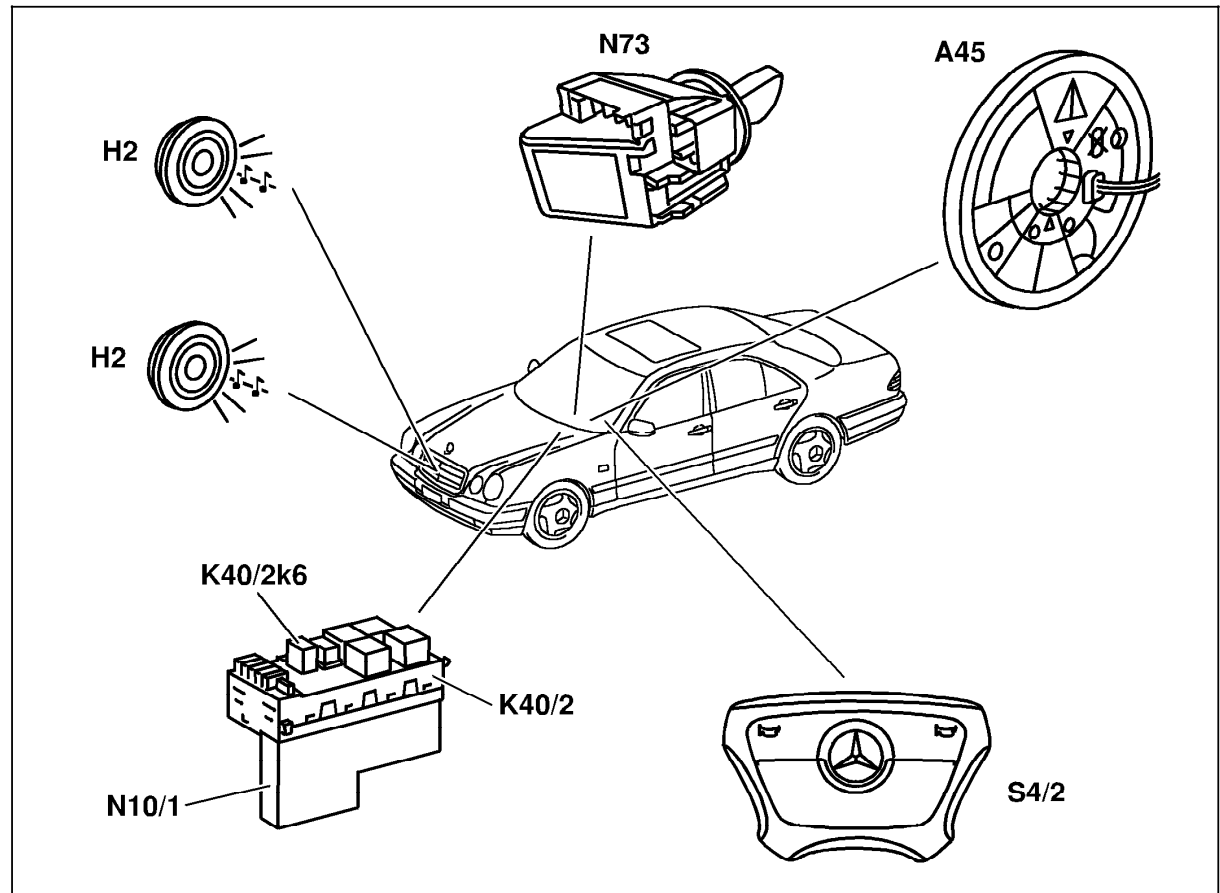


Figure 1

- A45 Horn/airbag clock spring contact
- H2 Fanfare horns
- K40/2 Driver-side fuse and relay module box
- K40/2k6 Horn relay
- N10/1 Signal pickup and activation module (SAM) left front
- N73 Electronic ignition lock control module
- S4/2 Horn switch

P54.35-0217-06

## Electrical Test Program – Component Locations

Components connection

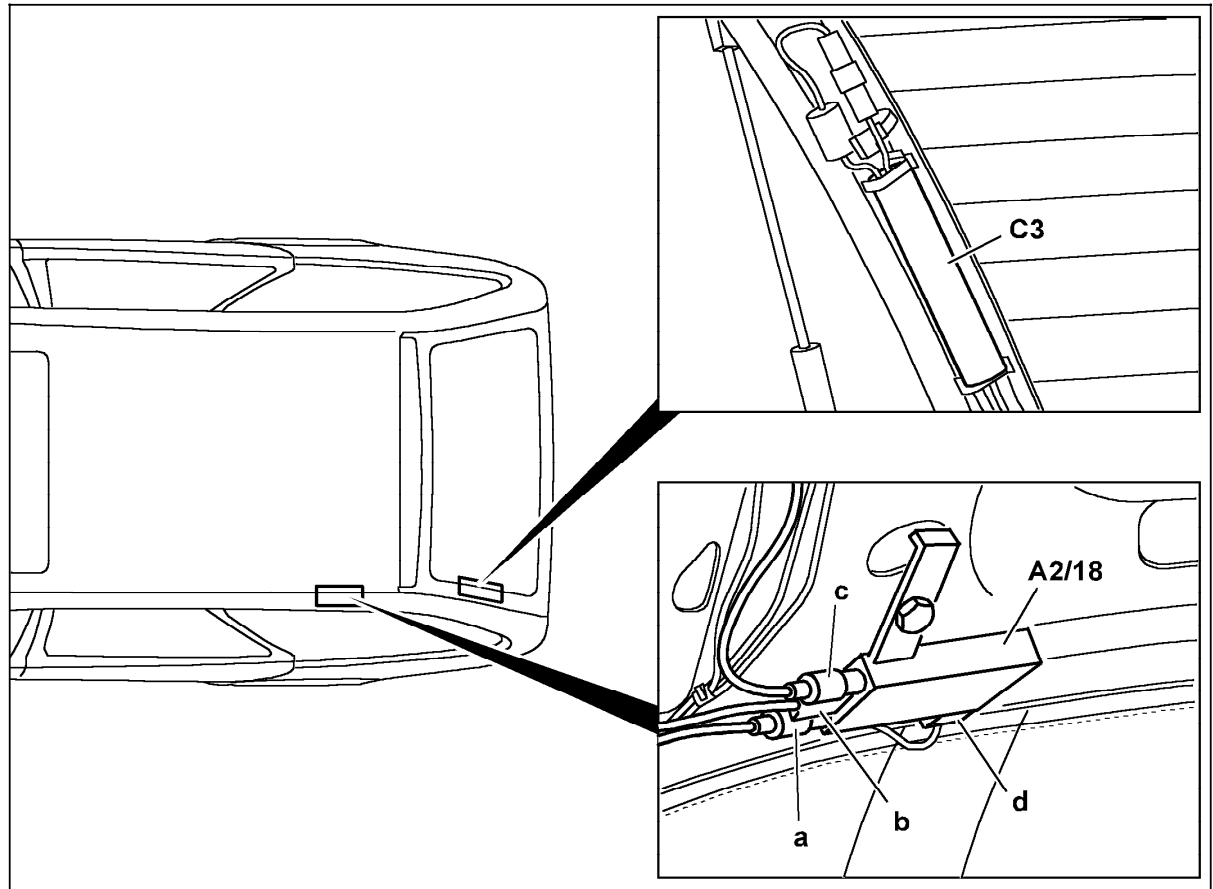


Figure 2

- H2 Fanfare horns
- K40/2 Driver-side fuse and relay module box
- K40/2k6Horn relay
- N10/1 Signal pickup and activation module (SAM) left front
- N73 Electronic ignition lock control module
- S4/2 Horn switch

P82.62-0335-06