

12.2 Signaling Device (SD) - Horn

Models 202 as of 06/97, 208, 210 as of 03/97

Electrical Test Program – Preparation for Test

1. Battery voltage 11–14 V.
2. Check fuses.
3. Systems and fluid levels OK.
4. Control lamps OK.

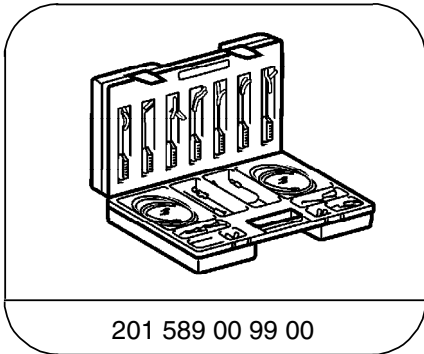
Hazard, turn signals function:
GF82.25 in WIS

Electrical wiring diagrams:

Electrical Troubleshooting Manual, Model 202/208

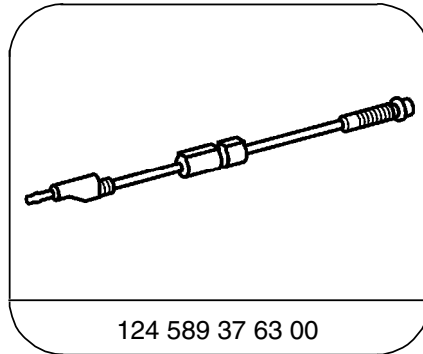
Electrical Troubleshooting Manual, Model 210

Special Tools



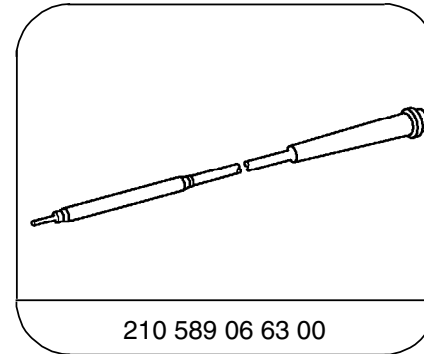
201 589 00 99 00

Electrical connecting set



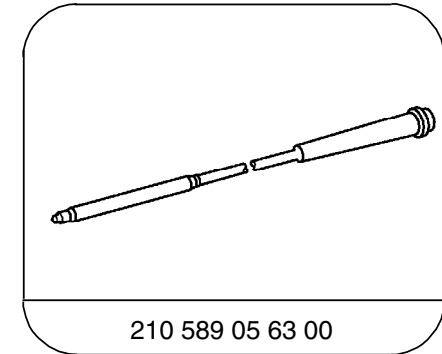
124 589 37 63 00

Fused cable



210 589 06 63 00

Adapter cable



210 589 05 63 00

Adapter cable

Conventional tools, test equipment

Description	Brand, model, etc.
Digital multimeter ¹⁾	Fluke Models 23, 77 III, 83, 85, 87, 88

¹⁾ Available through the MBUSA Standard Service Equipment Program.