

Electrical Test Program – Component Locations

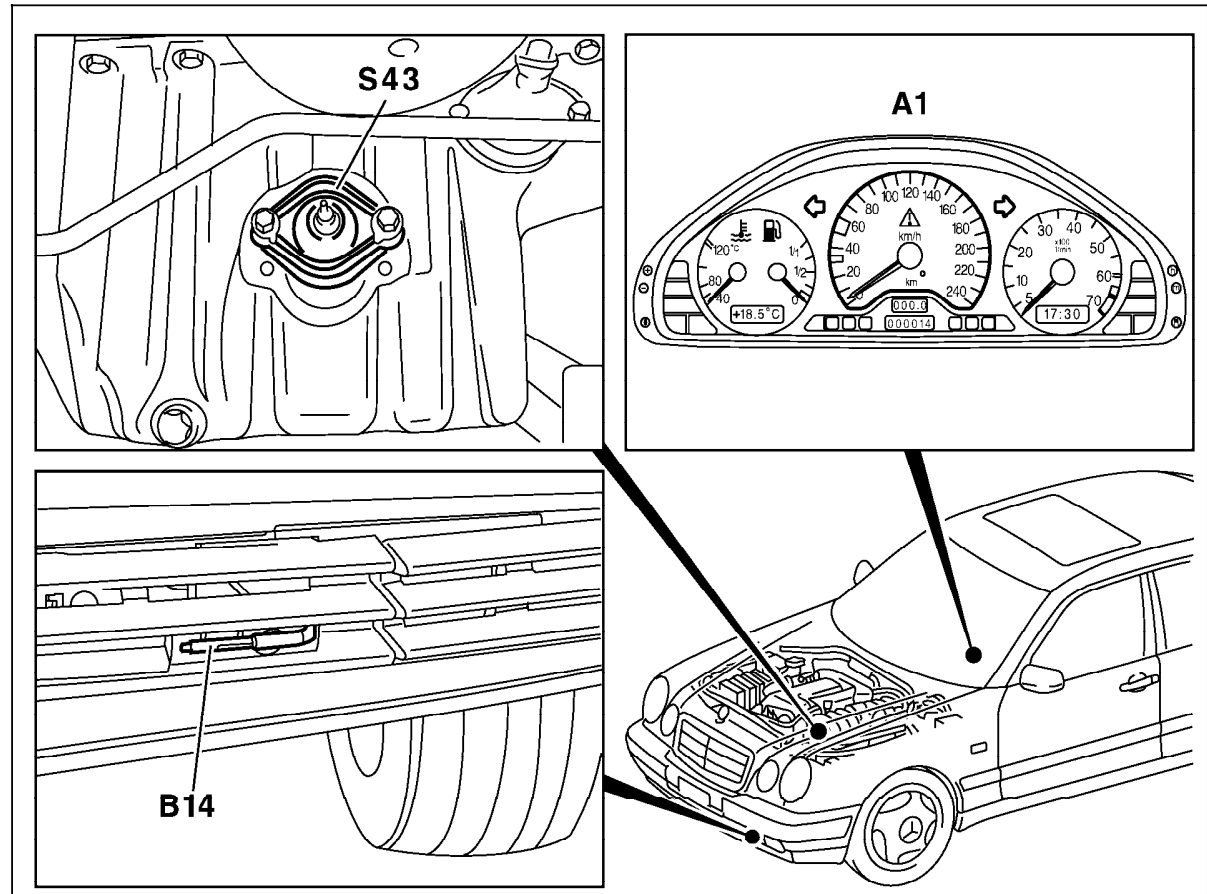


Figure 1

- A1 Instrument cluster
- B14 Outside temperature indicator temperature sensor
- S43 Oil level switch

P54.30-0269-57

Electrical Test Program – Component Locations

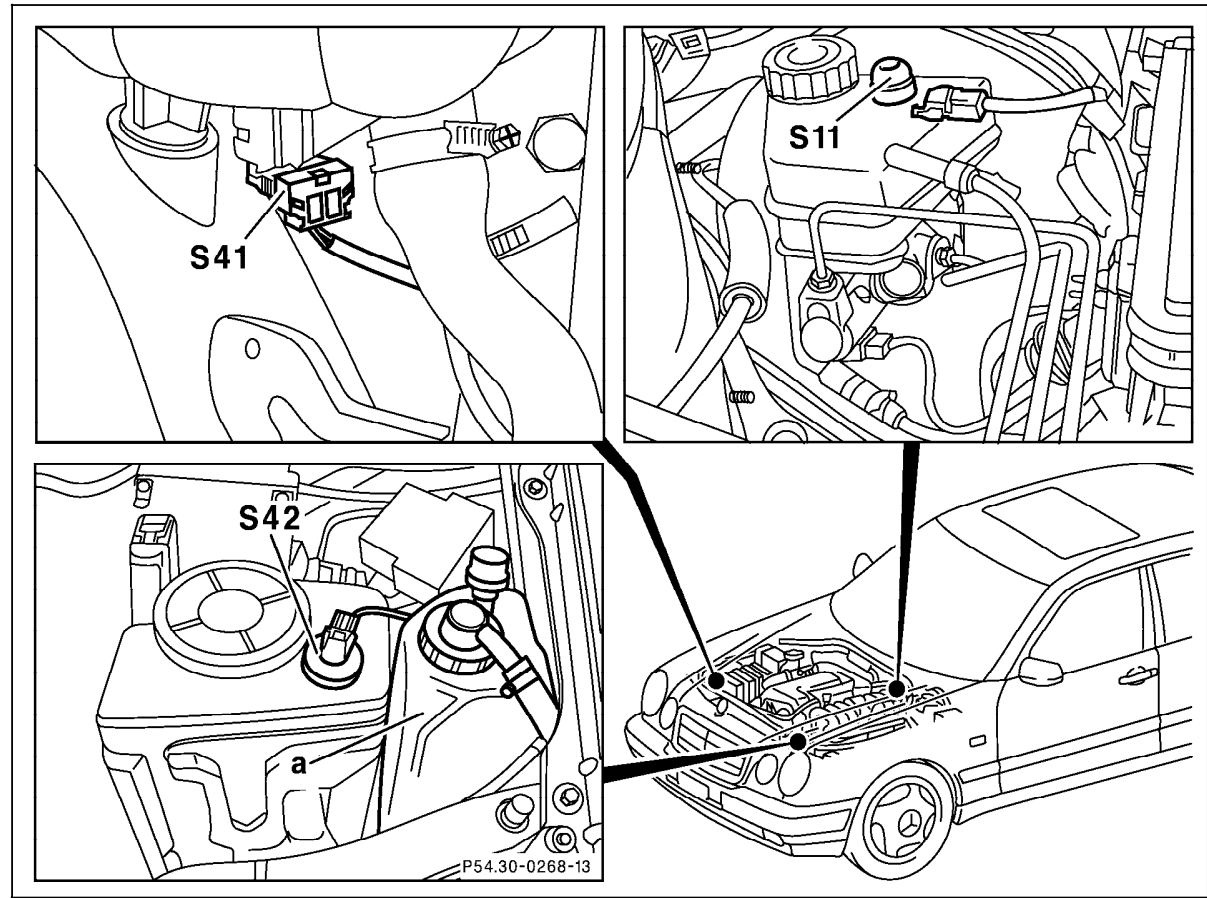
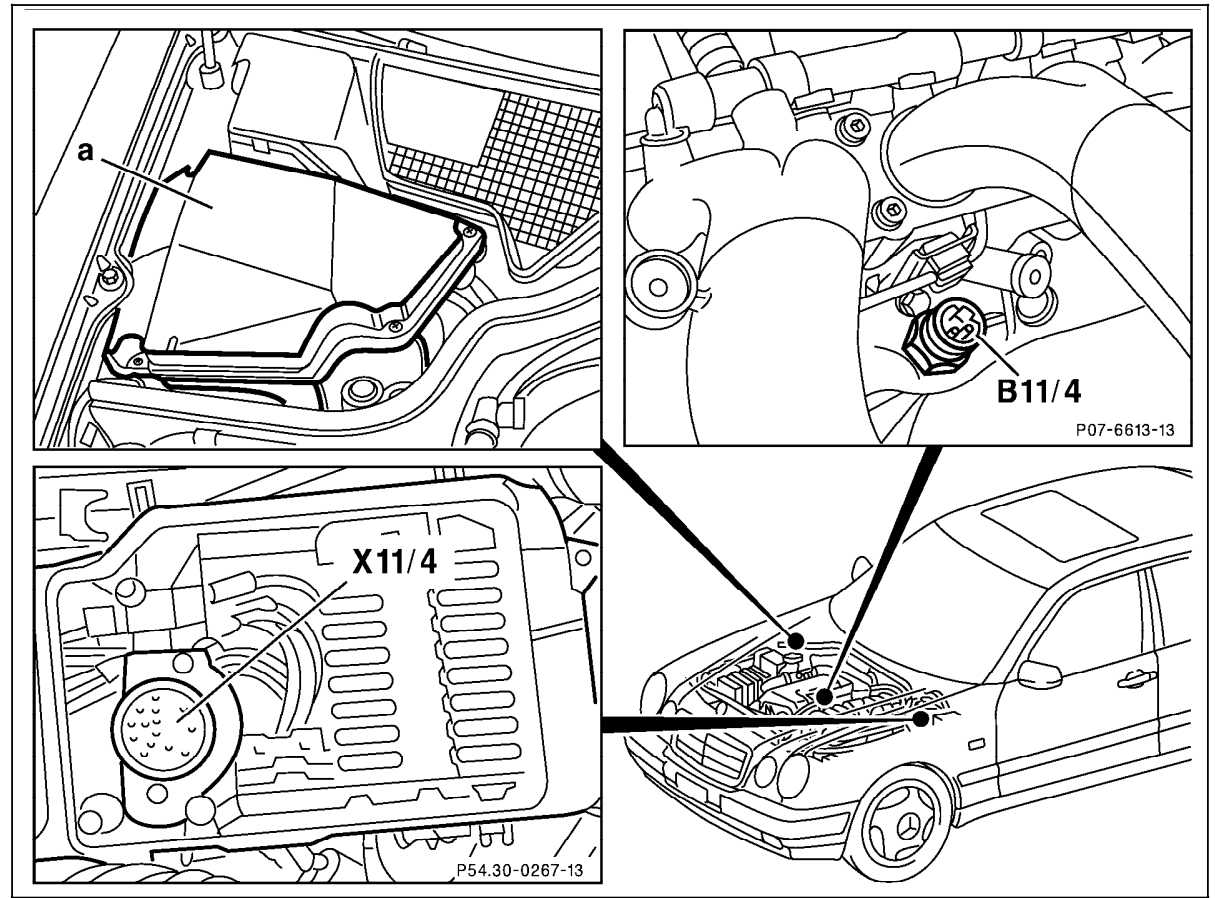


Figure 2

- S11 Brake fluid level switch
- S41 ECL switch
- S42 Windshield washer fluid level switch
- a Oil reservoir for level control and power steering with hydraulic fluid level switch (S77/2)

Electrical Test Program – Component Locations



Electrical Test Program – Component Locations

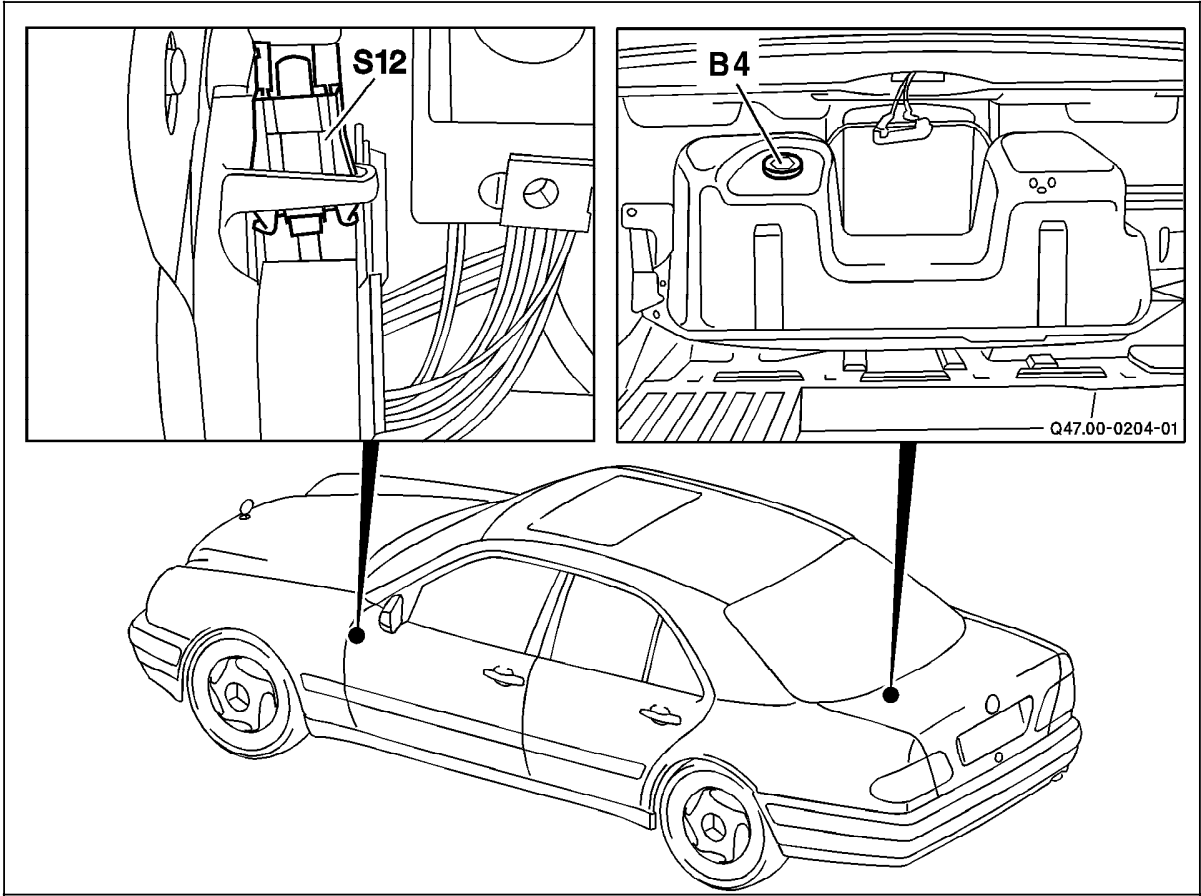


Figure 4

- B4 Fuel level sensor
- S12 Parking brake switch