

**Electric Test Program – Preparation for Test**

1. Battery voltage 11 – 14 V.
2. Check fuses.
3. Systems and fluid levels in order.

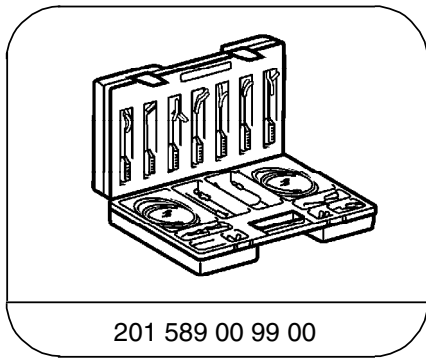
**Electrical wiring diagrams:**

Refer to Workshop Information System (WIS)

**⚠ Caution:**

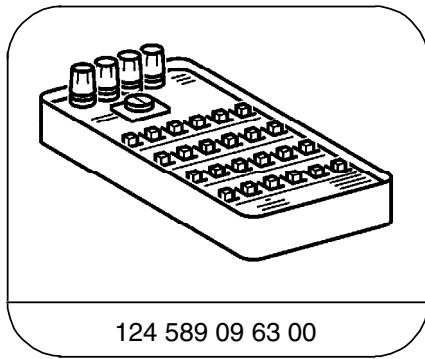
To prevent damage to the control modules, the connectors on the control modules must only be removed or connected with the ignition **OFF**.

**Special Tools**



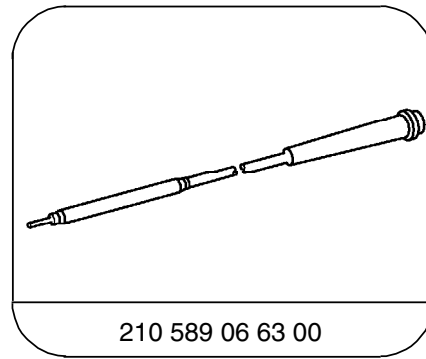
201 589 00 99 00

Electrical connecting set



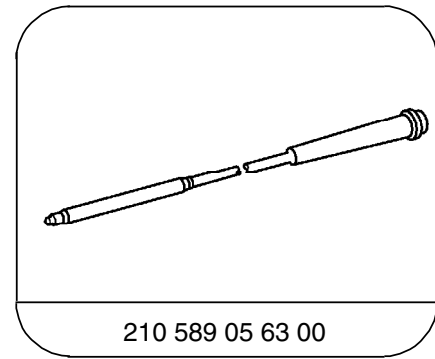
124 589 09 63 00

Ohm decade



210 589 06 63 00

Adapter cable



210 589 05 63 00

Adapter cable

**Conventional tools, test equipment**

Description	Brand, model, etc.
Multimeter	Fluke models <sup>1)</sup> 23, 78, 87, 88, 98 II

<sup>1)</sup> Available through the MBUSA Standard Service Equipment Program.