

Electrical Test Program – Component Locations

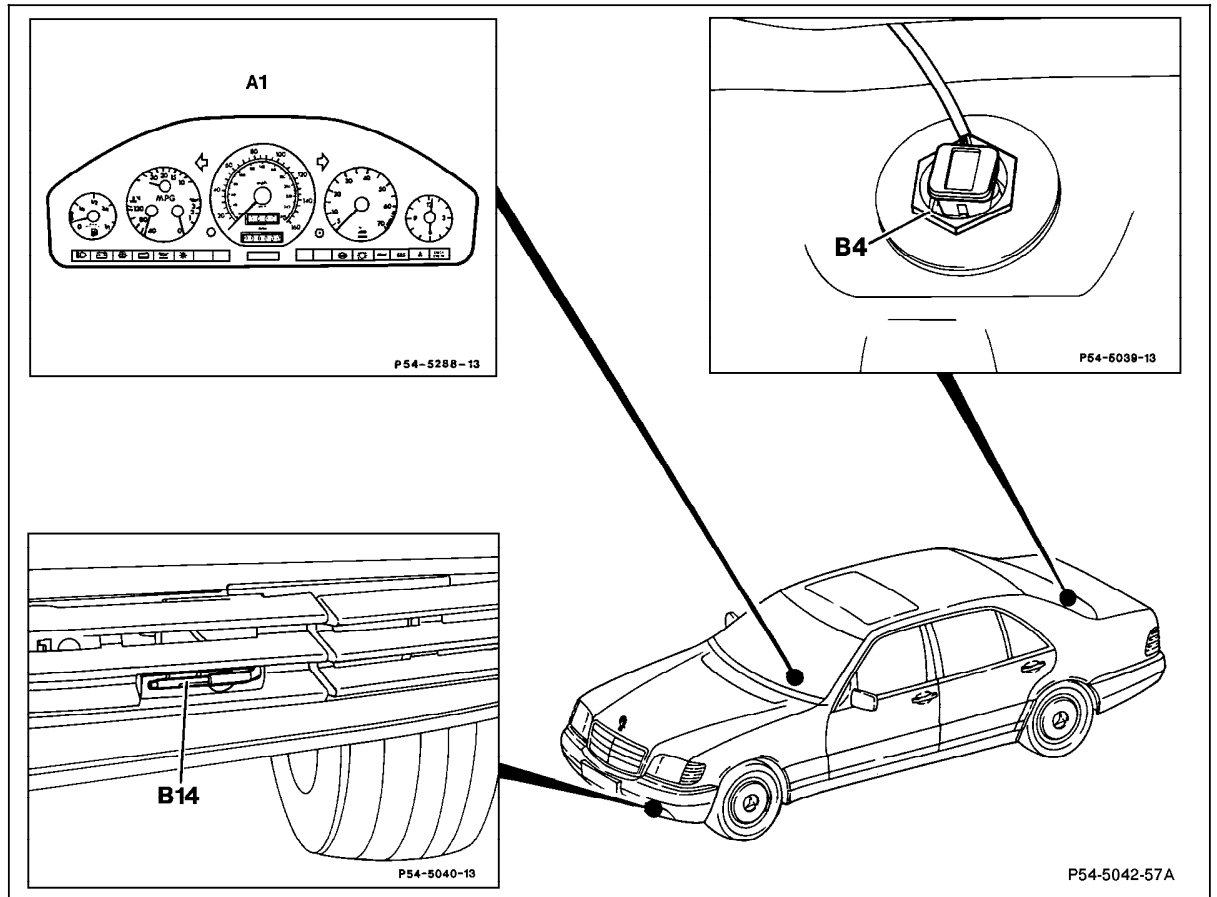


Figure 1

- A1 Instrument cluster
- B4 Fuel level sensor
- B14 Outside temperature indicator temperature sensor

P54-5042-57A

Electrical Test Program – Component Locations

Vehicles with LH-SFI engines

(Layout of module box on vehicles with HFM-SFI engine, see 23)

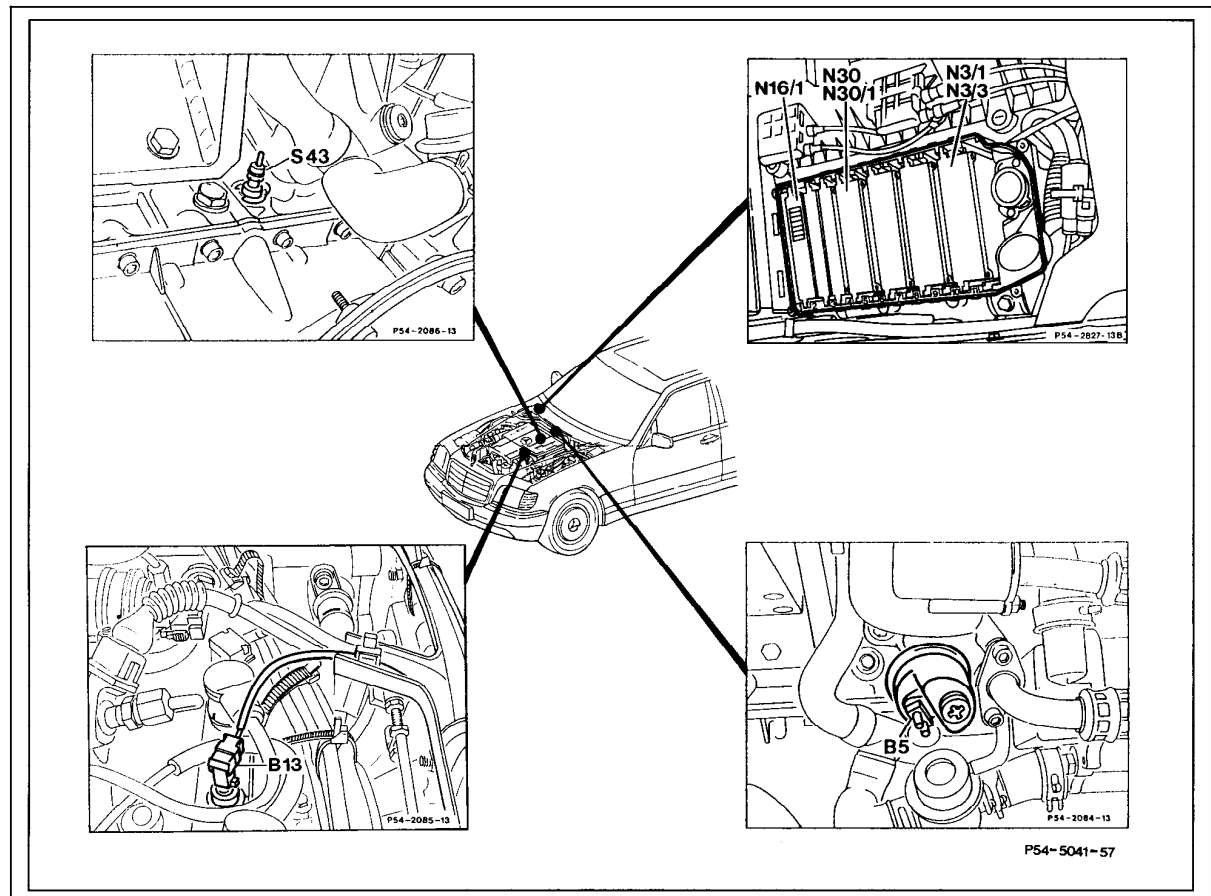


Figure 2

- B5 Oil pressure sensor
- B13 ECT gauge sensor
- N3/1 LH-SFI control module
- N3/3 Right LH-SFI control module
- N16/1 Base module
- N30 ABS control module
- N30/1 ASR control module
- S43 Oil level switch

P54-5041-57

Electrical Test Program – Component Locations

Vehicles with diesel engines

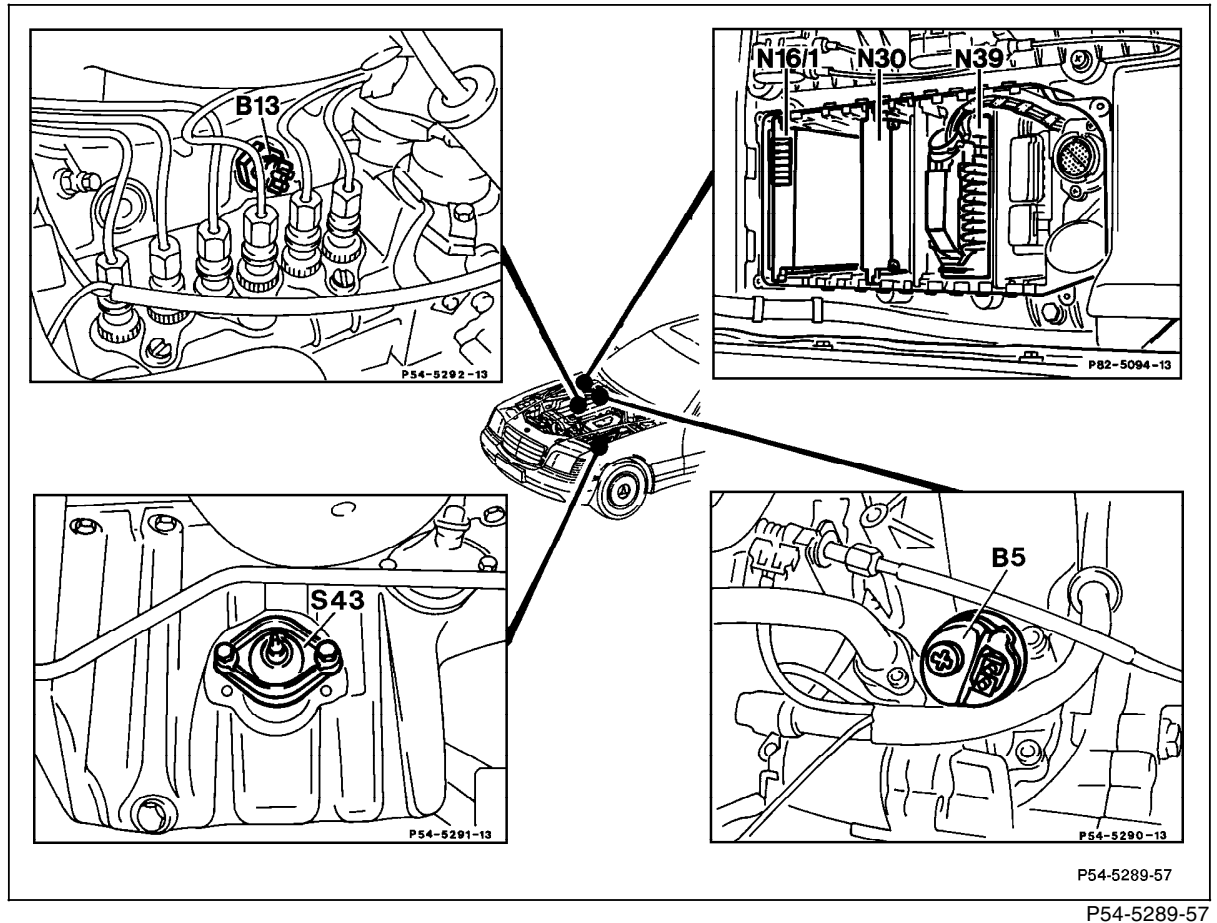


Figure 3

- B5 Oil pressure sensor
- B13 ECT gauge sensor
- N16/1 Base module
- N30 ABS control module
- N39 EDS control module
- S43 Oil level switch