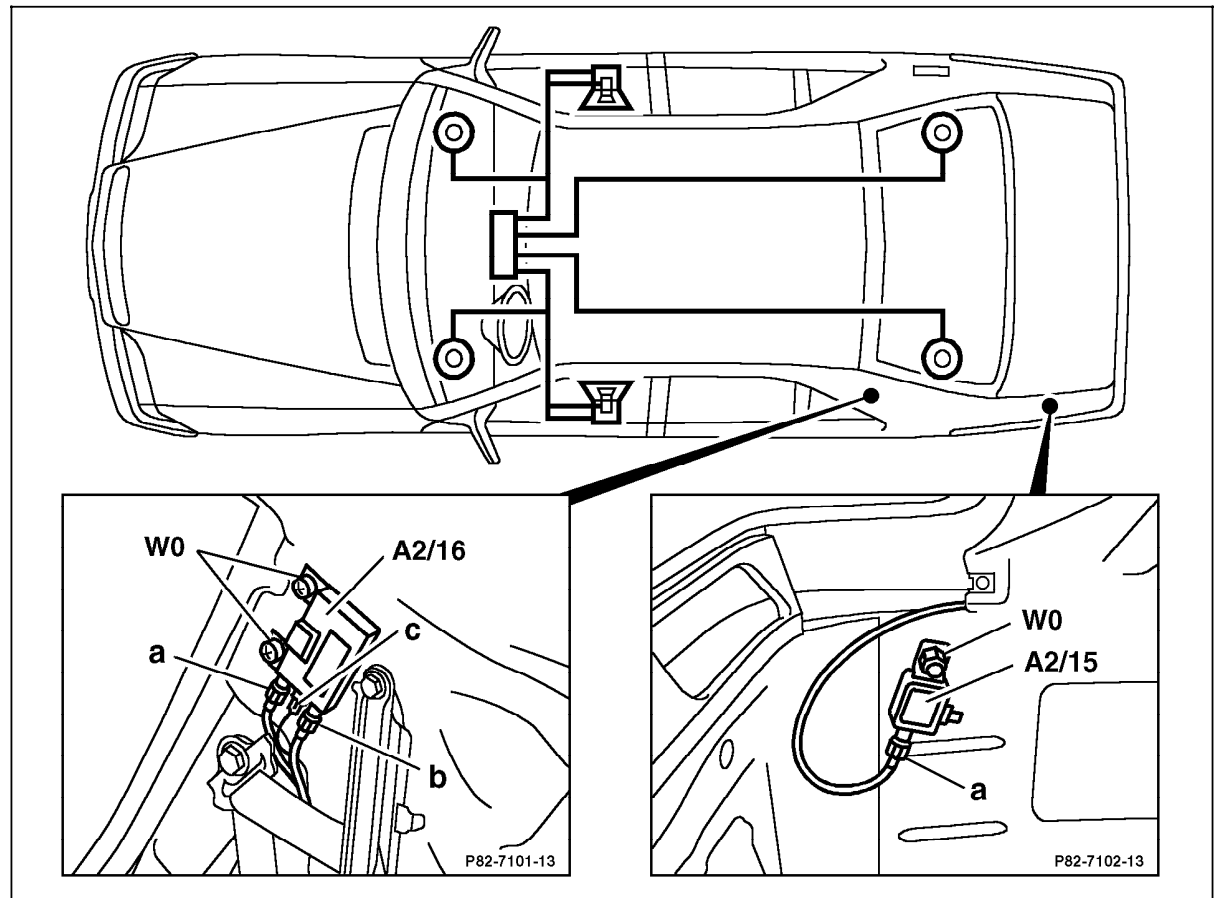


Electrical Test Program – Component Locations

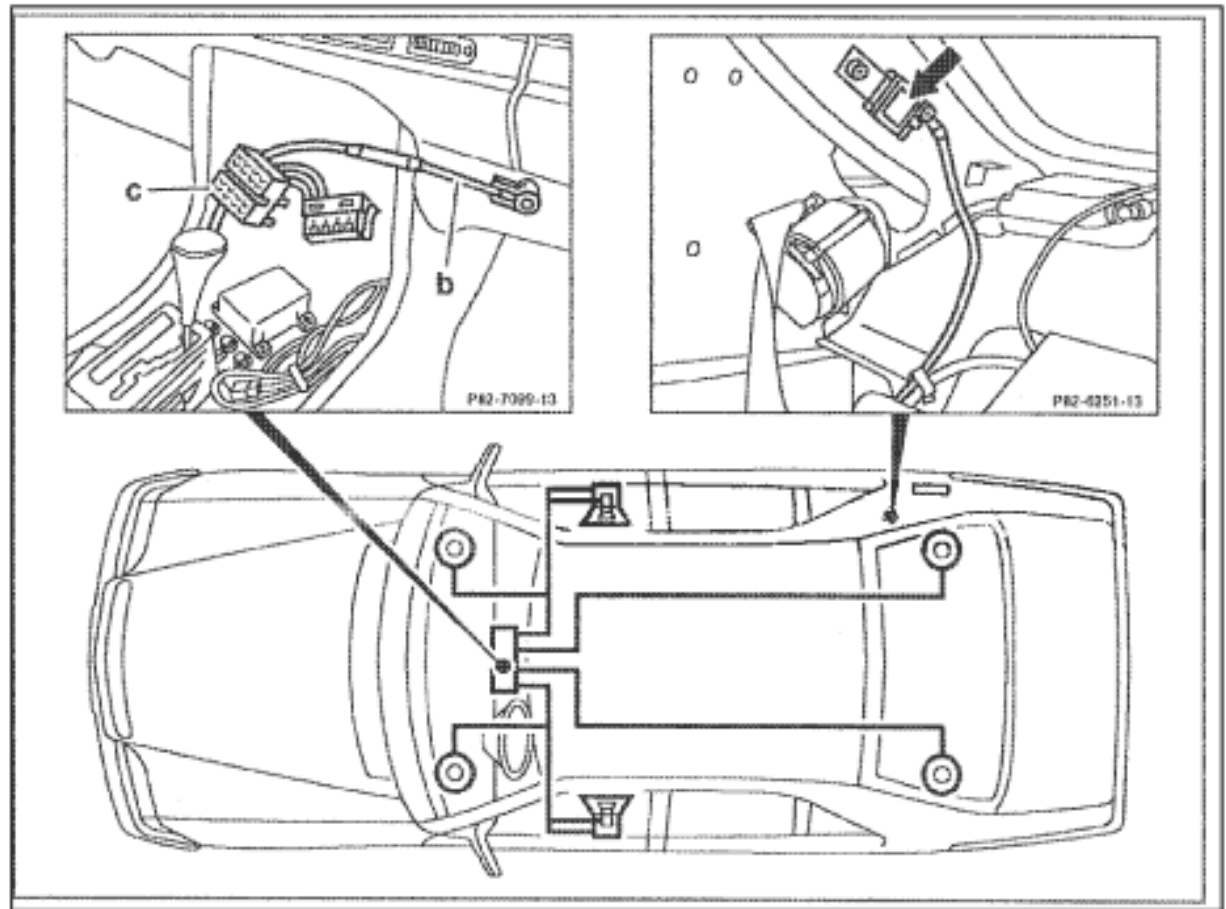


P82-7103-57

Figure 1

- A2/15 Bumper FM antenna amplifier
- A2/16 Rear window AM antenna amplifier
- W0 Ground
- a RF antenna cable and voltage supply for A2/15
- b RF antenna cable to radio (A2)
- c Control wire from radio

Electrical Test Program – Component Locations



P82-7100-57

Figure 2

- Arrow Noise suppression capacitor
- b RF antenna cable to radio (A2)
- c Control wire from radio