

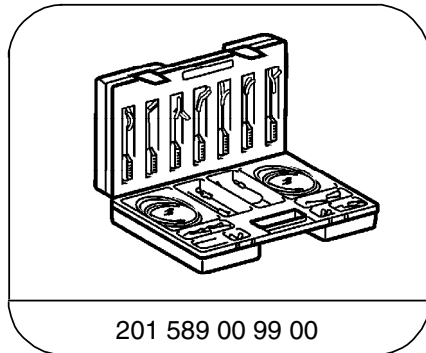
Electrical Test Program – Preparation for Test

1. Battery voltage 11–14 V.
2. Check fuses.
3. Radio OK.
4. No physical damage to the rear bumper.

Electrical wiring diagrams:

Electrical Troubleshooting Manual, Model 170, Group 82

Special Tools



201 589 00 99 00
Electrical connecting set

Conventional tools, test equipment

Description	Brand, model, etc.
Digital multimeter ¹⁾	Fluke Models 23, 77 III, 83, 85, 87, 88

¹⁾ Available through the MBUSA Standard Equipment Program.