

Electrical Test Program – Preparation for Test

1. Battery voltage 11–14 V
2. Check fuses.
3. Radio OK.

Electrical wiring diagrams:

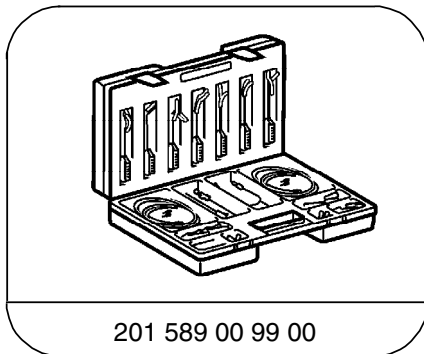
Electrical Troubleshooting Manual, Model 202/208

Wiring diagrams model 163 in WIS

Note:

To prevent damage to the radio , the connectors must only be removed or installed with the ignition and radio **OFF**.

Special Tools



201 589 00 99 00

Electrical connecting set

Conventional tools, test equipment

Description	Brand, model, etc.
Multimeter ¹⁾	Fluke Models 23, 77 III, 83, 85, 87, 88
Signal generator ¹⁾	SUN DTR-8416

¹⁾ Available through the MBUSA Standard Equipment Program.