

Electrical Test Program – Component Locations

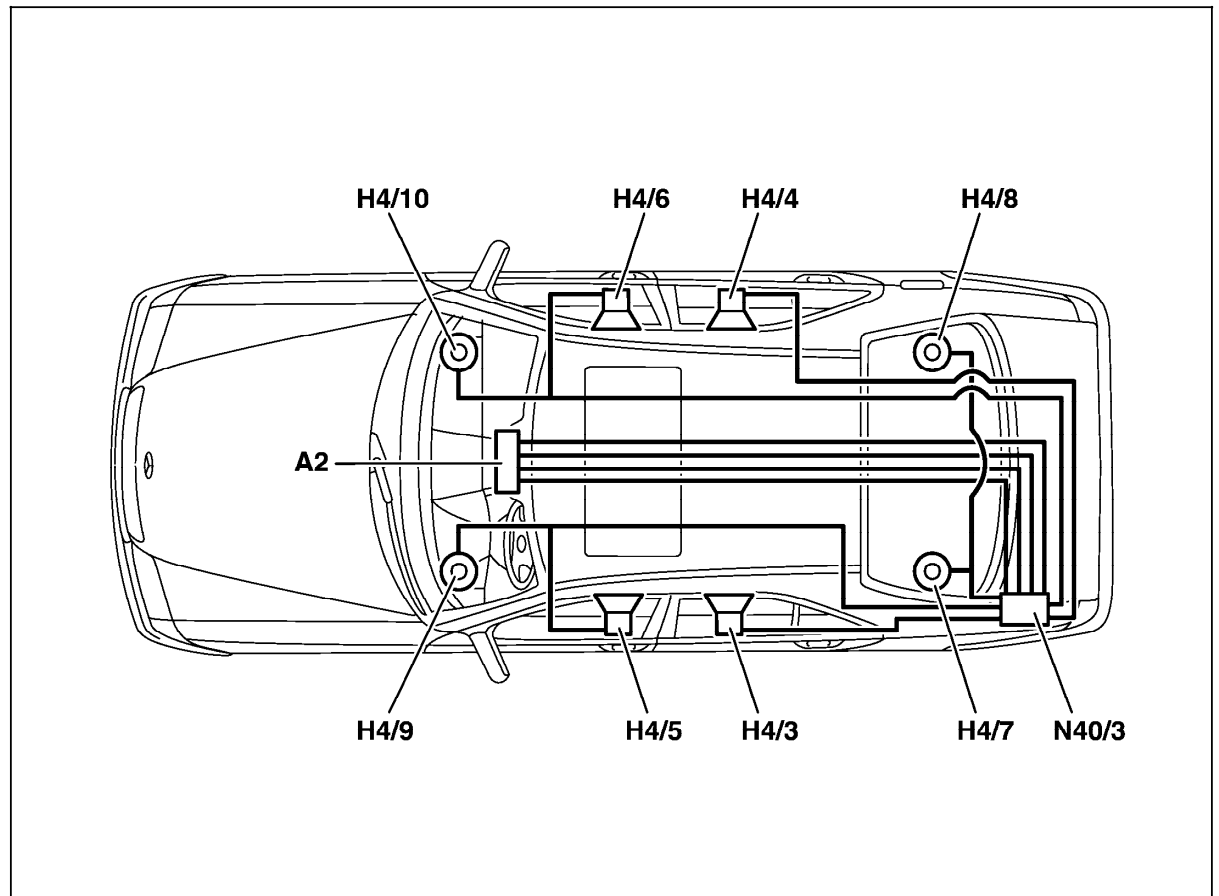


Figure 1
Model 202 as of 09/95 (with Bose® Sound System)

- A2 Radio
- H4/3 Left rear door speaker
- H4/4 Right rear door speaker
- H4/5 Left front door speaker
- H4/6 Right front door speaker
- H4/7 Left rear speaker
- H4/8 Right rear speaker
- H4/9 Left front speaker
- H4/10 Right front speaker
- N40/3 Left/right audio power amplifier

P82.62-2027-06