

Electrical Test Program – Component Locations

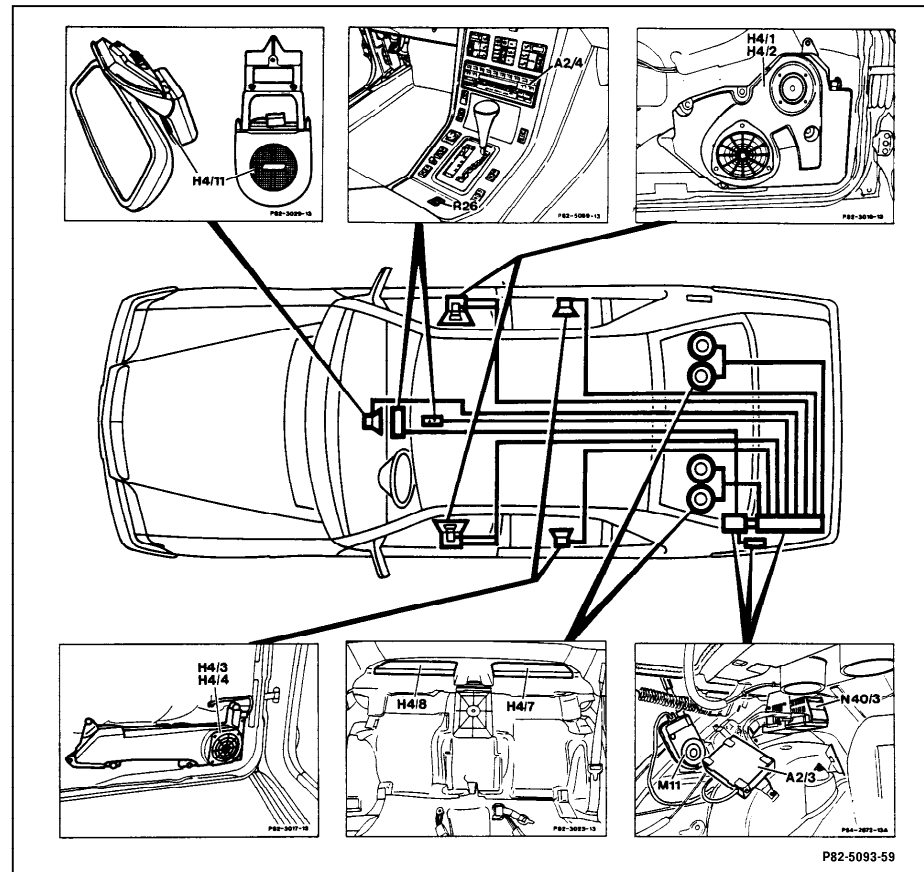


Figure 1

- A2/3 Tuner/amplifier
- A2/4 Radio control module
- H4/1 Left front door speaker group
- H4/2 Right front door speaker group (not shown)
- H4/3 Left rear door speaker
- H4/4 Right rear door speaker
- H4/7 Left rear speaker
- H4/8 Right rear speaker
- H4/11 Center fill tweeter speaker
- M11 Automatic antenna
- N40/3 Left/right audio power amplifier
- R26 Fader switch

P82-5093-59