

5.8 Loudspeaker System (LS)

Contents

5.8 Model 210 (with Standard Loudspeaker System)

	Page
Diagnosis	
Function Test	11/1
Complaint Related Diagnostic Chart	12/1
Electrical Test Program	
Component Locations	21/1
Preparation for Test	22/1
Test	23/1

Diagnosis – Function Test

Function Test Explanation

For the Function Test, adjust the radio as follows:

- Tune-in a strong radio station (music), or play a cassette or CD.
- Set fader, bass, treble and balance to position 0 (reading in display window).
- Listen to each individual loudspeaker at the various locations.

Diagnosis – Complaint Related Diagnostic Chart

Complaint/Problem	Possible cause	Test step/Remedy ¹⁾
Left front door speaker (H4/5) not functioning	H4/5 Radio (A2)	23 ⇒ 1.0
Left front mirror triangle speaker (H4/23) not functioning	H4/23 Radio (A2)	23 ⇒ 2.0
Left rear door speaker (H4/3) not functioning	H4/3 Radio (A2)	23 ⇒ 3.0
Left rear speaker (H4/7) not functioning	H4/7 Radio (A2)	23 ⇒ 4.0
Right front door speaker (H4/6) not functioning	H4/6 Radio (A2)	23 ⇒ 5.0
Right front mirror triangle speaker (H4/24) not functioning	H4/24 Radio (A2)	23 ⇒ 6.0
Right rear door speaker (H4/4) not functioning	H4/4 Radio (A2)	23 ⇒ 7.0
Right rear speaker (H4/8) not functioning	H4/8 Radio (A2)	23 ⇒ 8.0

¹⁾ Observe Preparation for Test, see 22.

Electrical Test Program – Component Locations

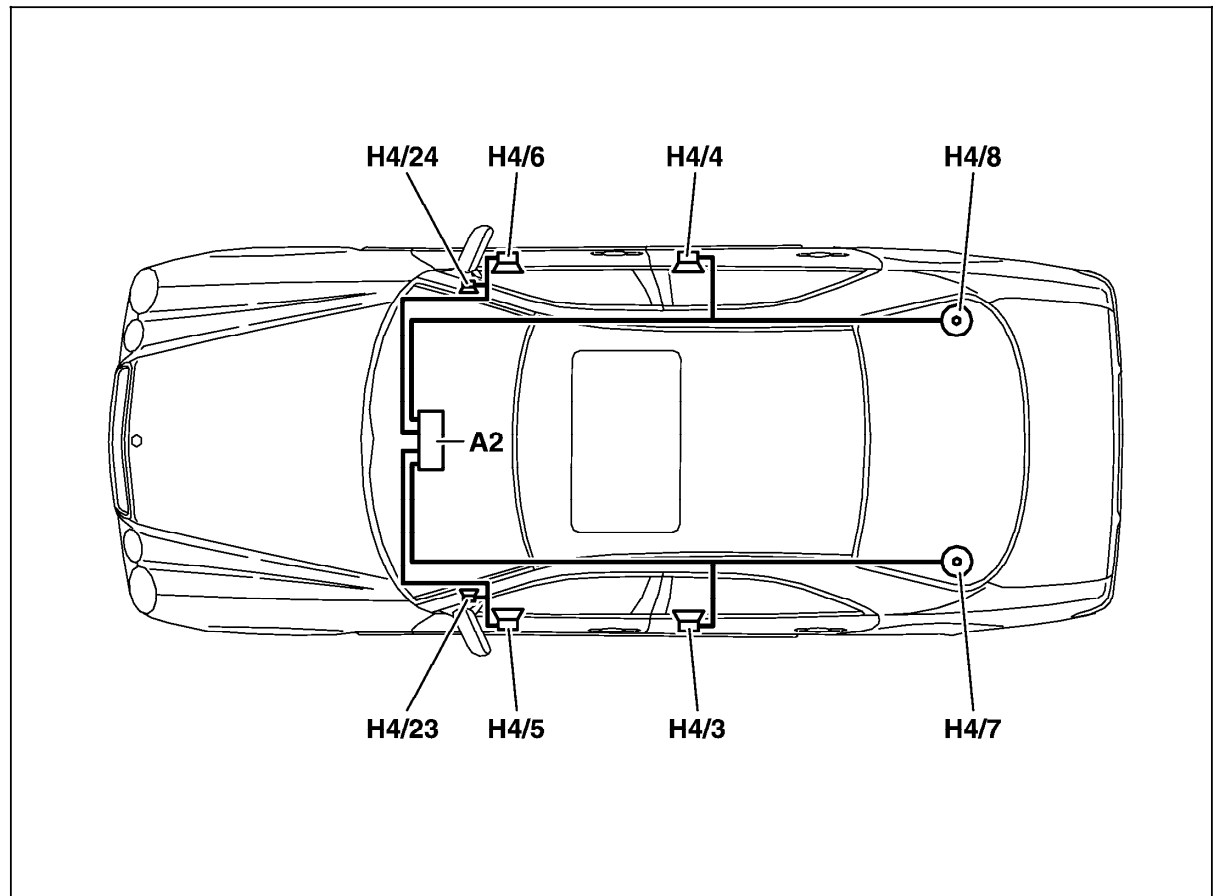


Figure 1

Model 210.0

A2 Radio

H4/33 Left rear door speaker

H4/4 Right rear door speaker

H4/5 Left front door speaker

H4/6 Right front door speaker

H4/7 Left rear speaker

H4/8 Right rear speaker

H4/23 Left front door mirror triangle speaker

H4/24 Right front door mirror triangle speaker

P82.62-2017-06

Electrical Test Program – Component Locations

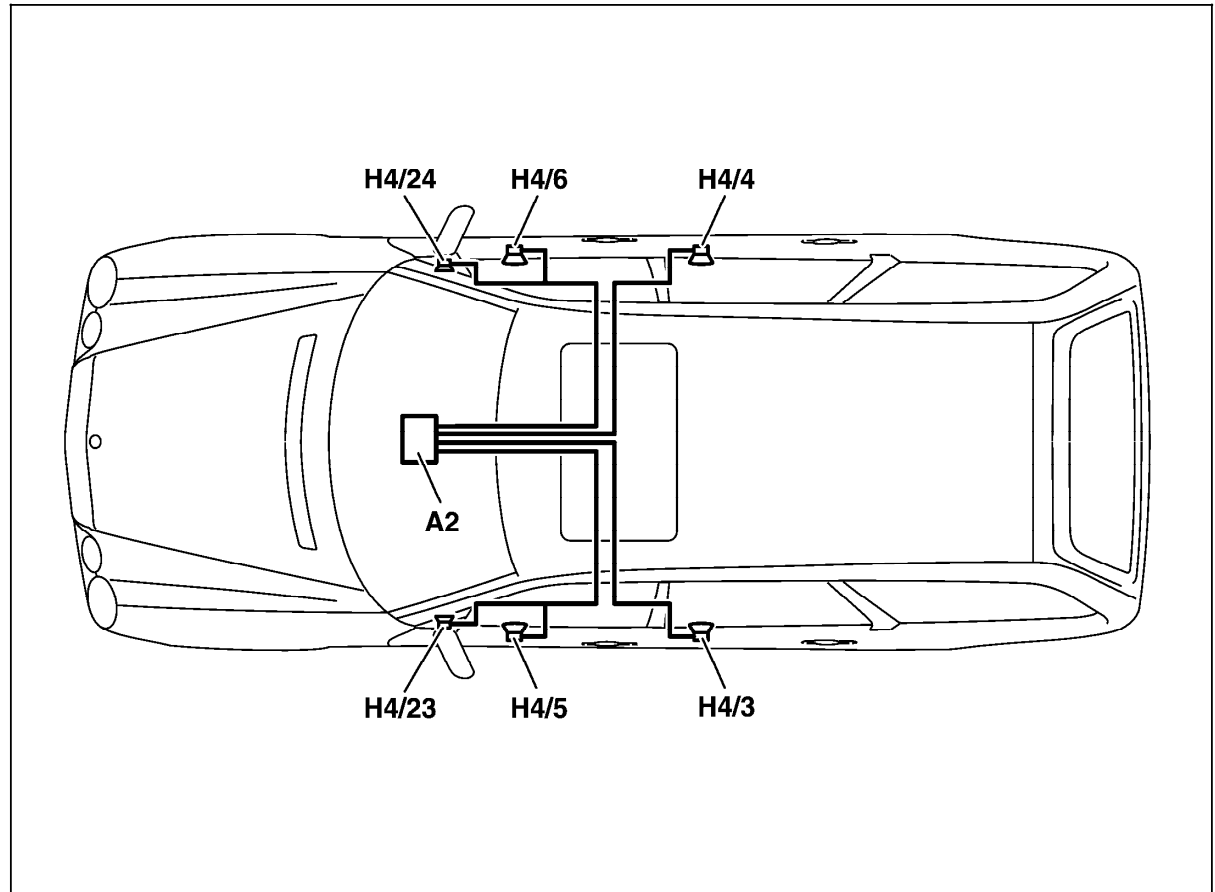


Figure 2
Model 210.2

A2	Radio
H4/33	Left rear door speaker
H4/4	Right rear door speaker
H4/5	Left front dooe speaker
H4/6	Right front door speaker
H4/23	Left front door mirror triangle speaker
H4/24	Right front door mirror triangle speaker

P82.62-2025-06

Electrical Test Program – Preparation for Test

1. Battery voltage 11–14 V.
2. Check fuses.
3. Radio OK.

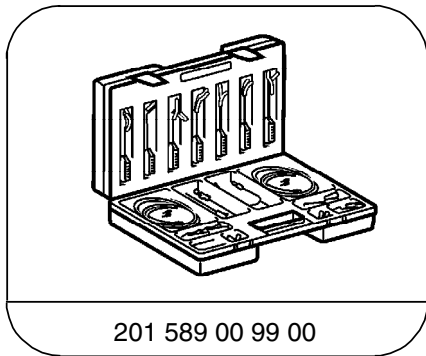
Electrical wiring diagrams:

Electrical Troubleshooting Manual, Model 210

Note:

To prevent damage to the radio, the connectors must only be removed or installed with the ignition **OFF**.

Special Tools



201 589 00 99 00

Electrical connecting set

Conventional tools, test equipment

Description	Brand, model, etc.
Multimeter ¹⁾	Fluke Models 23, 77 III, 83, 85, 87, 88
Signal generator ¹⁾	SUN DTR-8416

¹⁾ Available through the MBUSA Standard Equipment Program.

Electrical Test Program – Test

⇒		Test scope	Test connection	Test condition	Nominal value	Possible cause/Remedy
1.0		Speaker Left front door (H4/5),		Remove radio (A2) Disconnect connector B from radio, (Figure 1)	3.5 – 4.5 Ω	Wiring, H4/5 Values OK: A2 see 3.1 23. AD82.60 in WIS
2.0		Speaker Left front door mirror triangle (H4/23)		Radio (A2) OFF Note: Remove speaker and take reading directly at speaker terminals between speaker coil and capacitor.	7.5 – 8.5 Ω	Wiring, H4/23 Values OK: A2 see 3.1 23. AD82.60 in WIS
3.0		Speaker Left rear door (H4/3)		Remove radio (A2) Disconnect connector B from radio, (Figure 1)	3.5 – 4.5 Ω	Wiring, H4/3 Values OK: A2 see 3.1 23. AD82.60 in WIS
4.0		Speaker Left rear speaker (H4/7)		Radio (A2) OFF Note: Remove speaker and take reading directly at speaker terminals between speaker coil and capacitor.	3.5 – 4.5 Ω	Wiring, H4/7 Values OK: A2 see 3.1 23. AD82.60 in WIS

Electrical Test Program – Test

⇒	Test scope	Test connection	Test condition	Nominal value	Possible cause/Remedy
5.0	Speaker Right front door (H4/6)	<p>H4/6 4 — (B.4) ← ⊗ → — 3 (B.3)</p>	Remove radio (A2) Disconnect connector B from radio, (Figure 1)	3.5 – 4.5 Ω	Wiring, H4/6 Values OK: A2 see 3.1 23. AD82.60 in WIS
6.0	Speaker Right front door mirror triangle (H4/24)	<p>H4/24 — ← ⊗ → —</p>	Radio (A2) OFF Note: Remove speaker and take reading directly at speaker terminals between speaker coil and capacitor.	7.5 – 8.5 Ω	Wiring, H4/24 Values OK: A2 see 3.1 23. AD82.60 in WIS
7.0	Speaker Right rear door (H4/4)	<p>H4/4 2 — (B.2) ← ⊗ → — 1 (B.1)</p>	Remove radio (A2) Disconnect connector B from radio, (Figure 1)	3.5 – 4.5 Ω	Wiring, H4/4 Values OK: A2 see 3.1 23. AD82.60 in WIS
8.0	Speaker Right rear (H4/8)	<p>H4/8 — ← ⊗ → —</p>	Radio (A2) OFF Note: Remove speaker and take reading directly at speaker terminals between speaker coil and capacitor.	3.5 – 4.5 Ω	Wiring, H4/8 Values OK: A2 see 3.1 23. AD82.60 in WIS

Connections on back of Radio

Figure 1

A

- 1 Speed-sensitive volume control
- 2 Not used
- 3 Muting by telephone system
- 4 Permanent plus (circuit 30)
- 5 Automatic antenna control
- 6 Illumination (circuit 58)
- 7 Switched plus (circuit 15)
- 8 Ground (circuit 31)

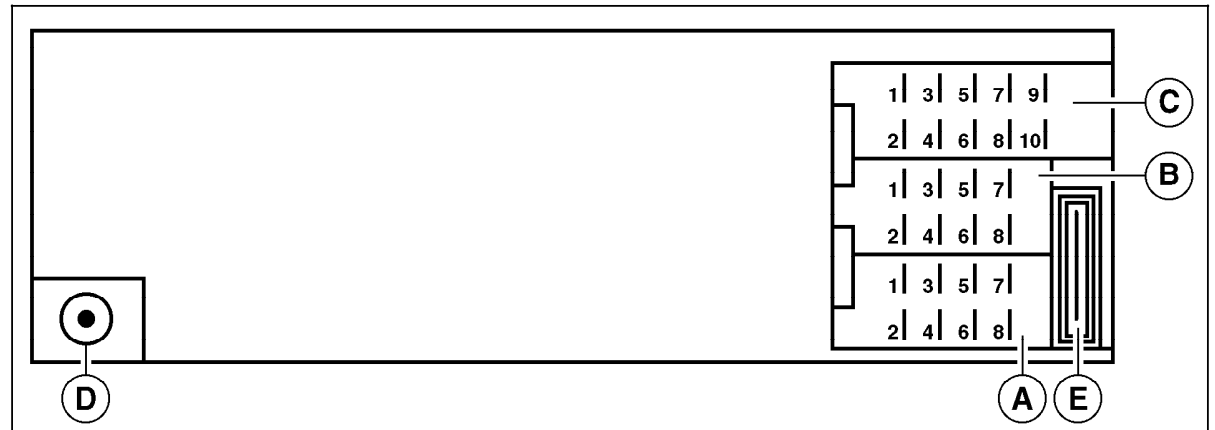
B

- 1 Right rear loudspeaker +
- 2 Right rear loudspeaker -
- 3 Right front loudspeaker +
- 4 Right front loudspeaker -
- 5 Left front loudspeaker +
- 6 Left front loudspeaker -
- 7 Left rear loudspeaker +
- 8 Left rear loudspeaker -

C Connector for CD changer, coding (via wiring harness)

D Antenna jack

E Fuse



P82-6245-53