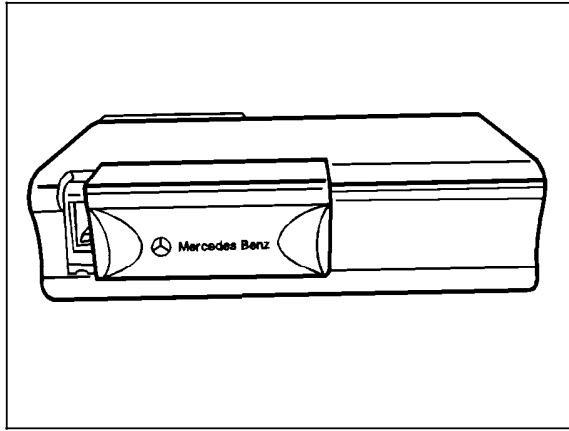


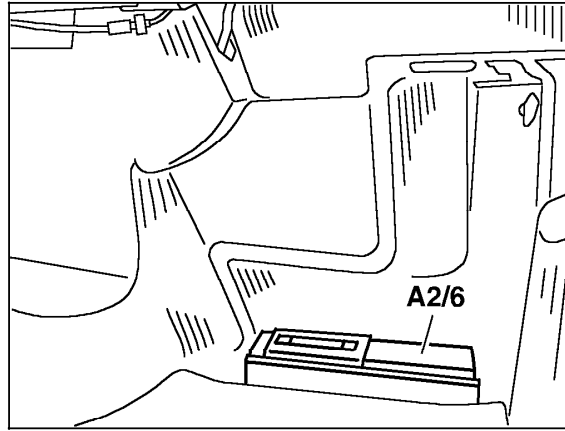
Electrical Test Program – Component Locations



P82-6430-13

Figure 1

A2/6 CD changer

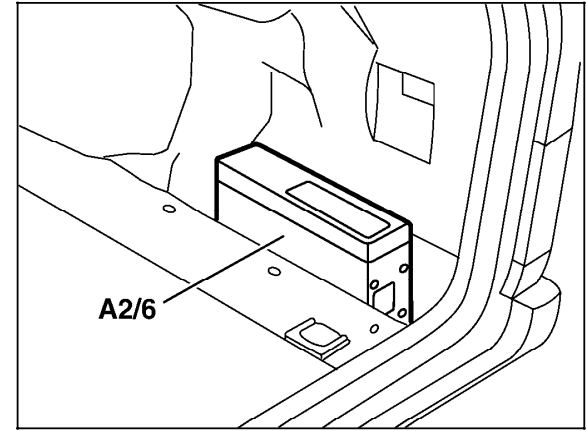


P82.64-0213-01

Figure 2

Model 124, 202, 208, 210.0

A2/6 CD changer (in trunk)



P82.64-0209-01

Figure 3

Model 210.2

A2/6 CD changer (right rear storage compartment)

Model 163:
Behind the compartment access cover in the right rear trim panel.

Model 129:
Left side of trunk