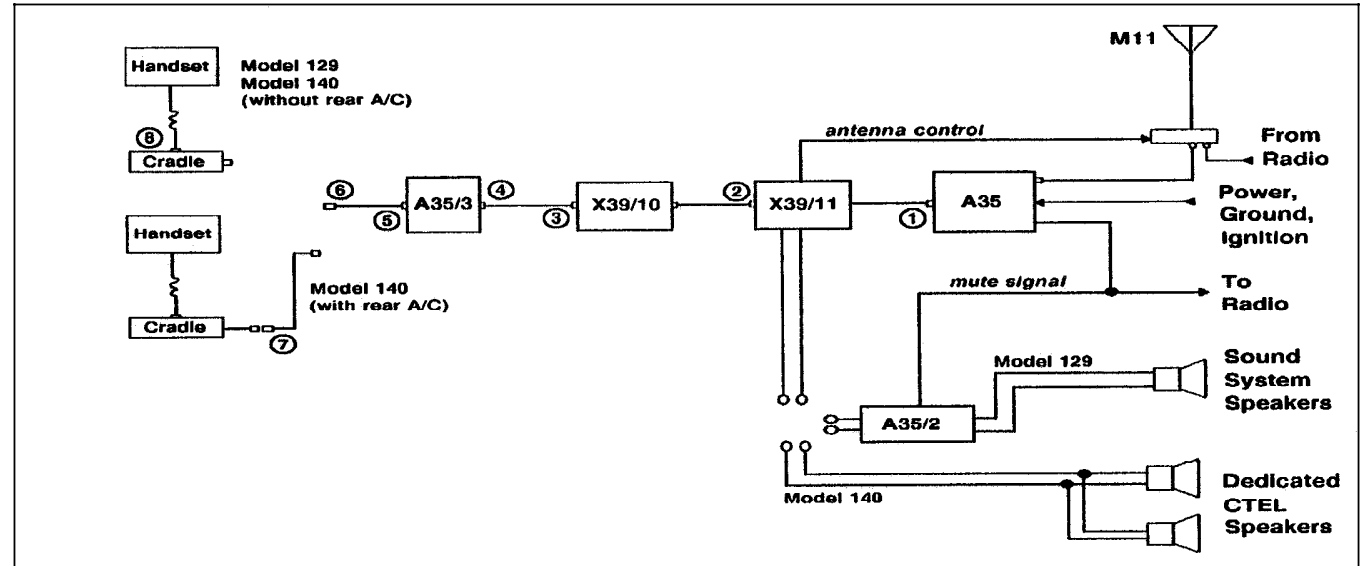


7.2 Cellular Telephone (CTEL)

Models 129 and 140, up to M.Y. 1993

Electrical Test Program – Component Locations

Test Points - Test Handset or
Test Headset to CTCL



Test point	Description of connection	Replaceable component
1	Input to Transmitter/receiver (A35) from CTCL junction box (X39/11)	TR (A35)
2	Input to CTCL junction box (X39/11) from IDC (A35/3)	Junction box (X39/11)
3	Input to IDC/junction box separation point (X39/10)	Wiring from A35/3 to X39/11
4	Harness at IDC	Wiring from A35/3 to X39/11
5	Input to IDC from CTCL handset cradle (A34/2)	IDC (A35/3)
6	Harness at CTCL handset cradle (models w/o rear A/C)	Wiring from A35/3 to A34/1
7	Harness at CTCL handset cradle (models with rear A/C)	Armrest extension harness
8	Handset input to CTCL cradle (not accessible with rear A/C)	CTCL cradle (A34/2)