

## Electrical Test Program – Component Locations

### Limit switches

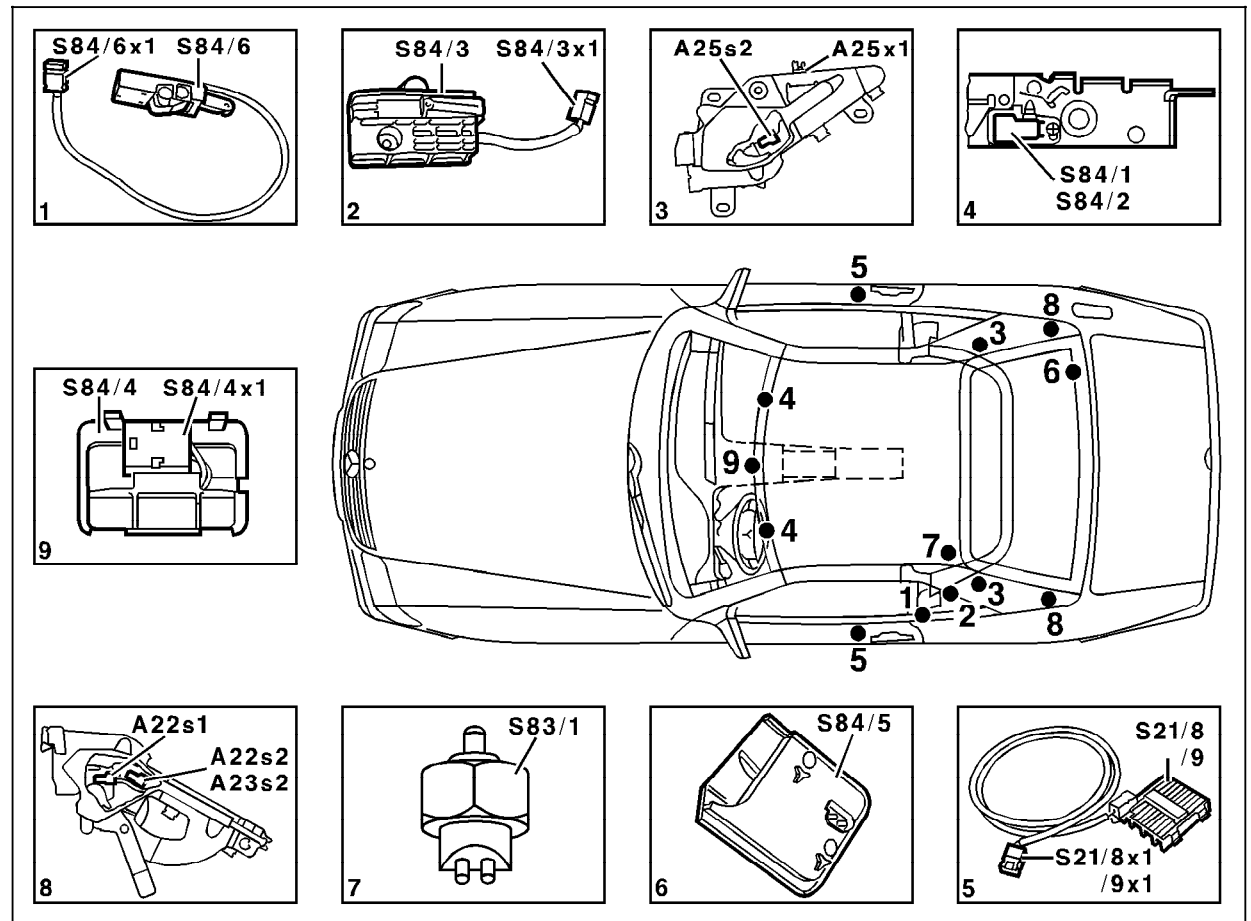


Figure 1

- A22s1 (8) Bow "closed" switch
- A22s2 (8) Bow "locked" switch
- A23s2 (8) Bow "locked" switch
- A25s2 (3) Right soft top compartment cover "locked" switch
- S21/8 (5) Right front door "window down" limit switch
- S21/9 (5) Left front door "window down" limit switch
- S83/1 (7) RB "retracted" switch
- S84/1 (4) Left front soft top "locked" switch
- S84/2 (4) Right front soft top "locked" switch
- S84/3 (2) Soft top "open" switch (soft top in storage compartment)
- S84/4 (9) Soft top "closed" switch (reed contact)
- S84/5 (6) Soft top compartment "open" switch
- S84/6 (1) Soft top fabric bow "raised" switch

P77-5411-57

## Electrical Test Program – Component Locations

### Electrical components

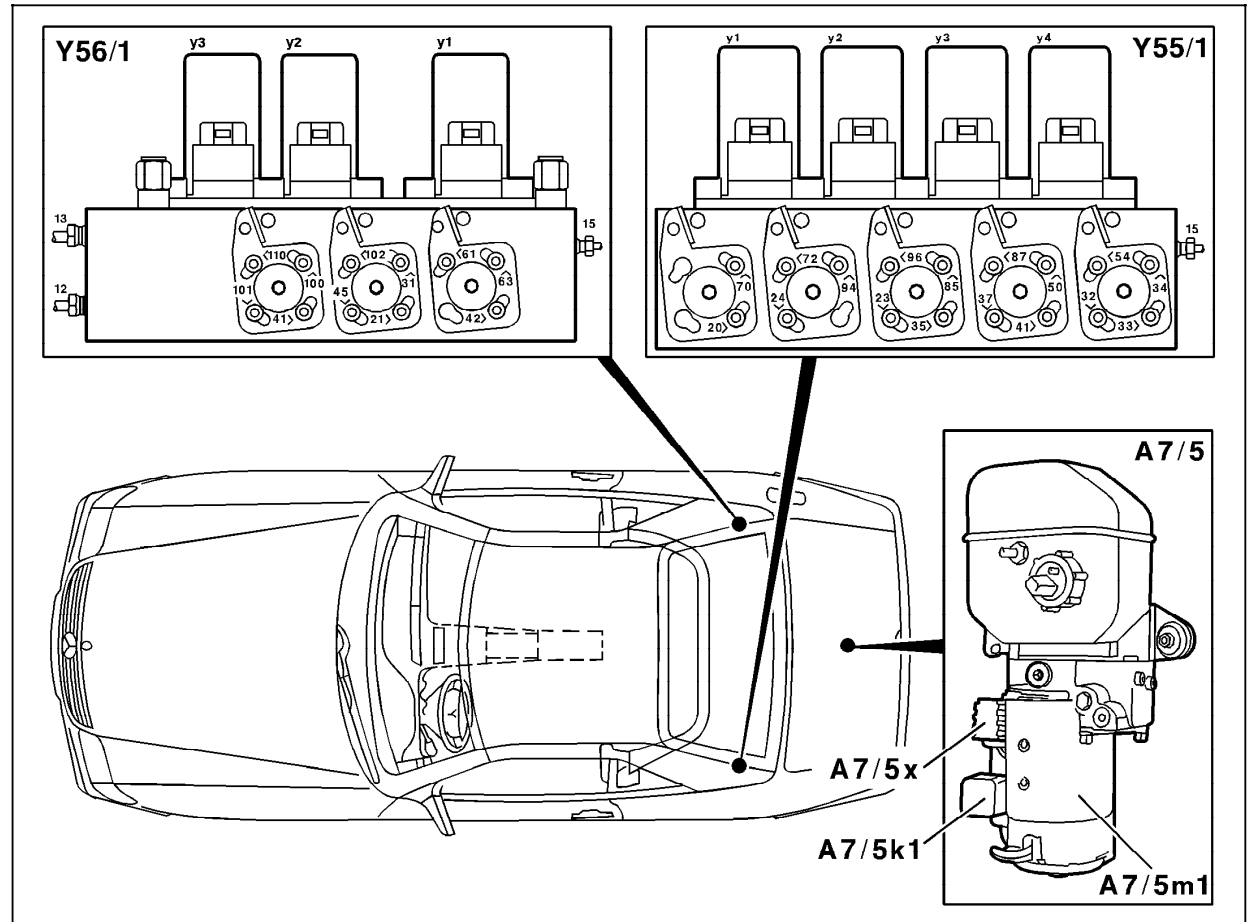


Figure 2

- A7/5 RST/RB hydraulic unit (power soft top)
- A7/5k1 Relay
- A7/5m1 Motor
- A7/5x1 Soft top/roll bar hydraulic unit connector
- Y55/1 Left power soft top valve block (4 connections)
- Y55/1y1 Soft top "closed"/fabric bow lock "open" valve
- Y55/1y2 Fabric bow "closed" valve
- Y55/1y3 Fabric bow "open"/soft top compartment cover "closed" valve
- Y55/1y4 Soft top compartment cover "open"/soft top compartment cover lock "open" valve
- Y56/1 Right power soft top valve block (3 connections)
- Y56/1y1 Soft top "open"/front lock "open" valve
- Y56/1y2 RB "lower" valve
- Y56/1y3 RB "raise" valve

U77.39-0200-06

Electrical Test Program – Component Locations

Electrical components

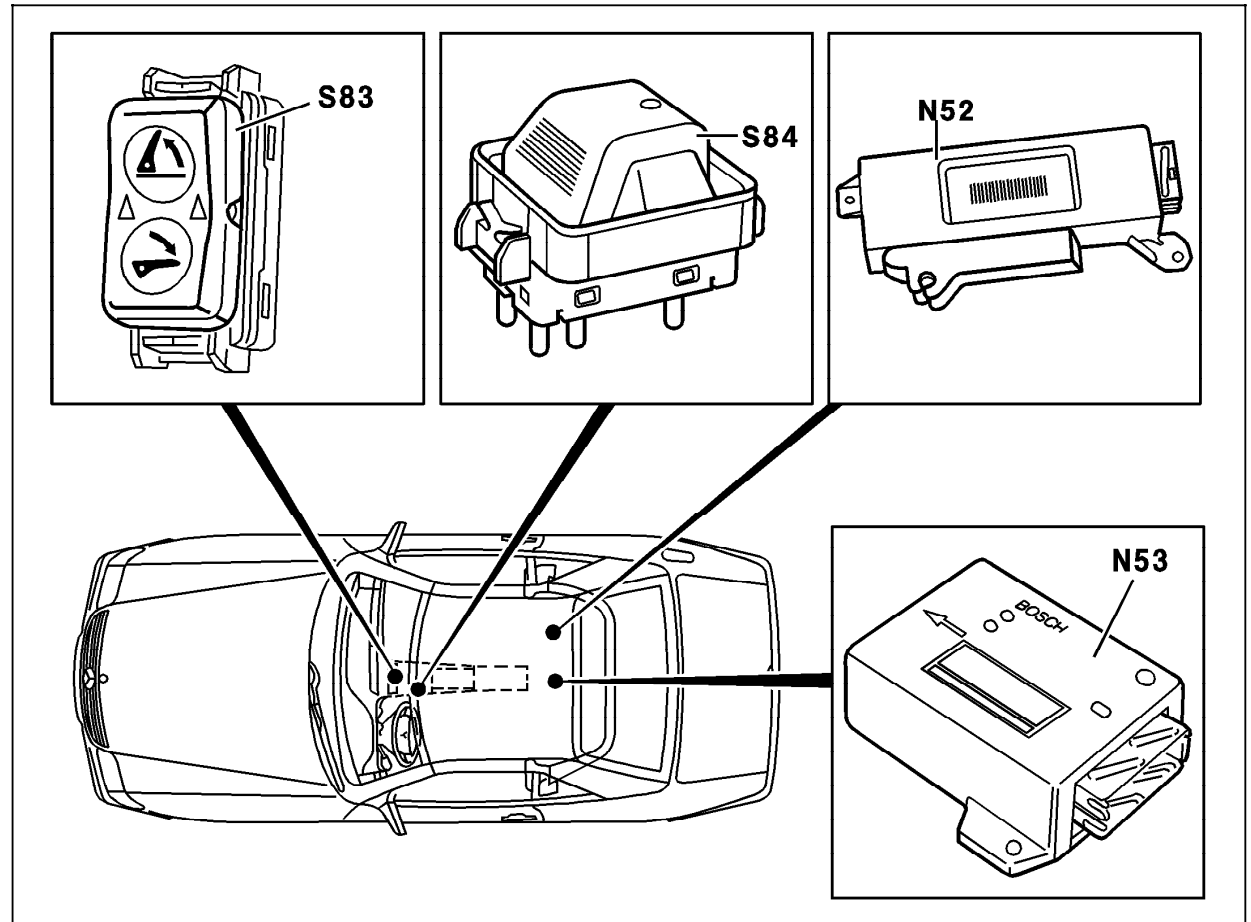


Figure 3

- N52 Power soft top control module
- N53 RB control module (crash deployment)
- S83 RB switch (manual operation)
- S84 Power soft top switch

P77.39-0201-06

Electrical Test Program – Component Locations

Electrical components

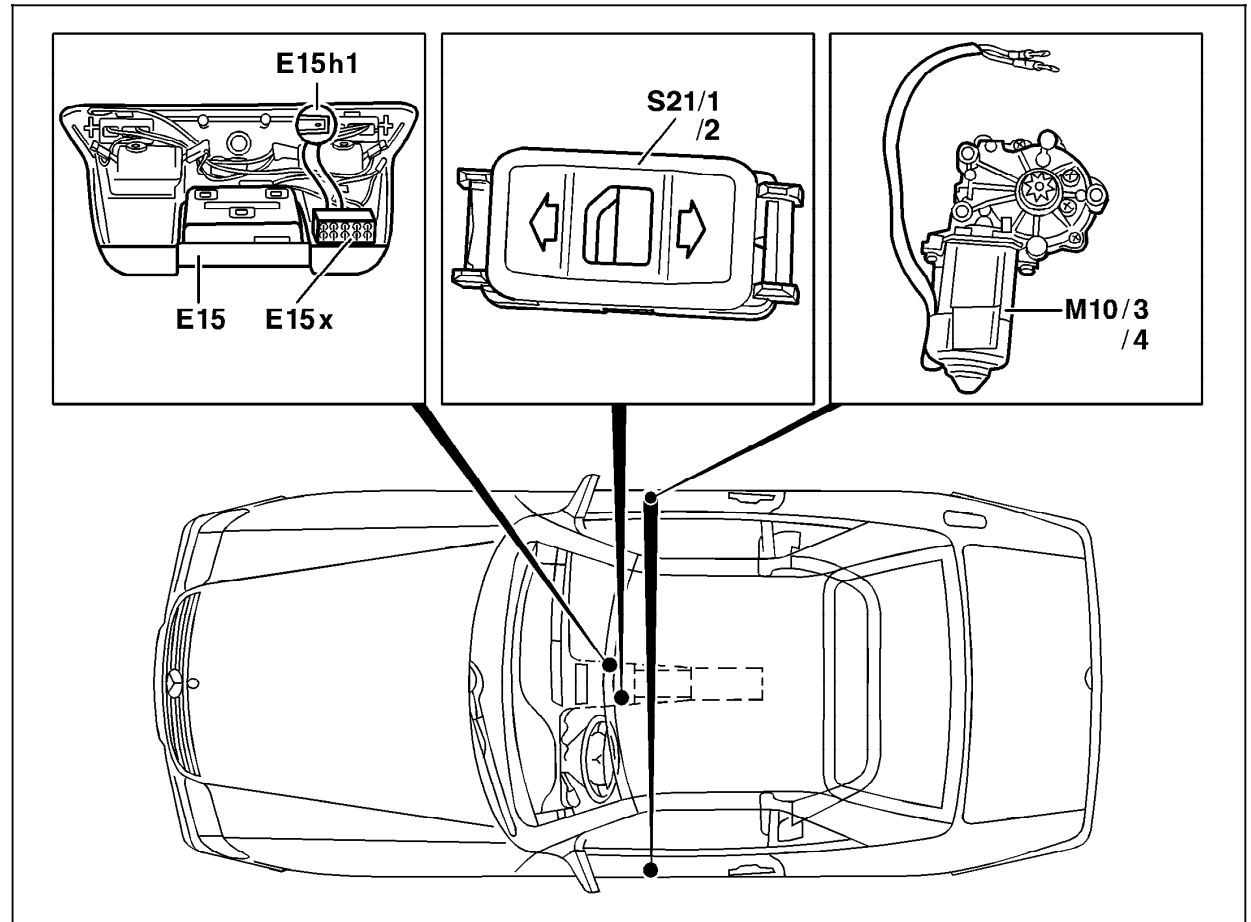


Figure 4

- E15 Dome lamp (with shut-off delay and reading lamp)
- E15h1 Warning buzzer
- E15x1 Dome lamp connector (with shut-off delay and reading lamp)
- M10/3 Left front power window motor
- M10/4 Right front power window motor
- S21/1 Left front power window switch (front center console)
- S21/2 Right front power window switch (front center console)

U77.39-0202-06