

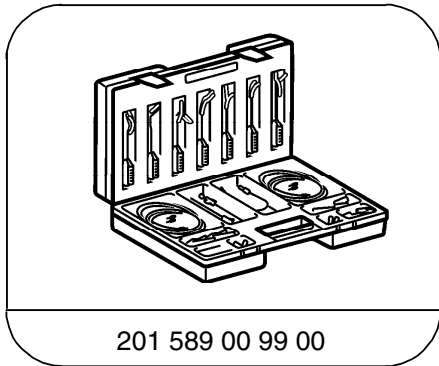
### Electrical Test Program - Preparation for Test

1. Battery voltage 11-14 V.
2. Fuse must be O.K.
3. For voltage measurements - ignition switch in position 2

### Wiring diagrams

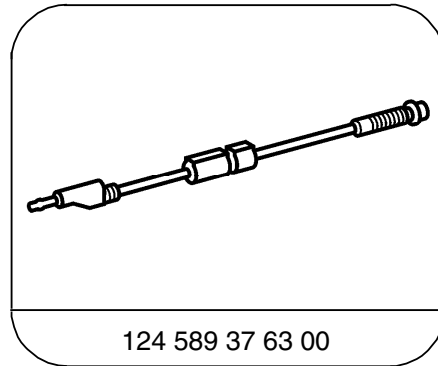
Electrical Troubleshooting Manual, Model 170

### Special Tools



201 589 00 99 00

Electrical connecting set



124 589 37 63 00

Fused cable

### Equipment

Multimeter <sup>1)</sup>

Fluke models 23, 83, 85, 87

<sup>1)</sup> Available through the MBUSA Standard Equipment Program.