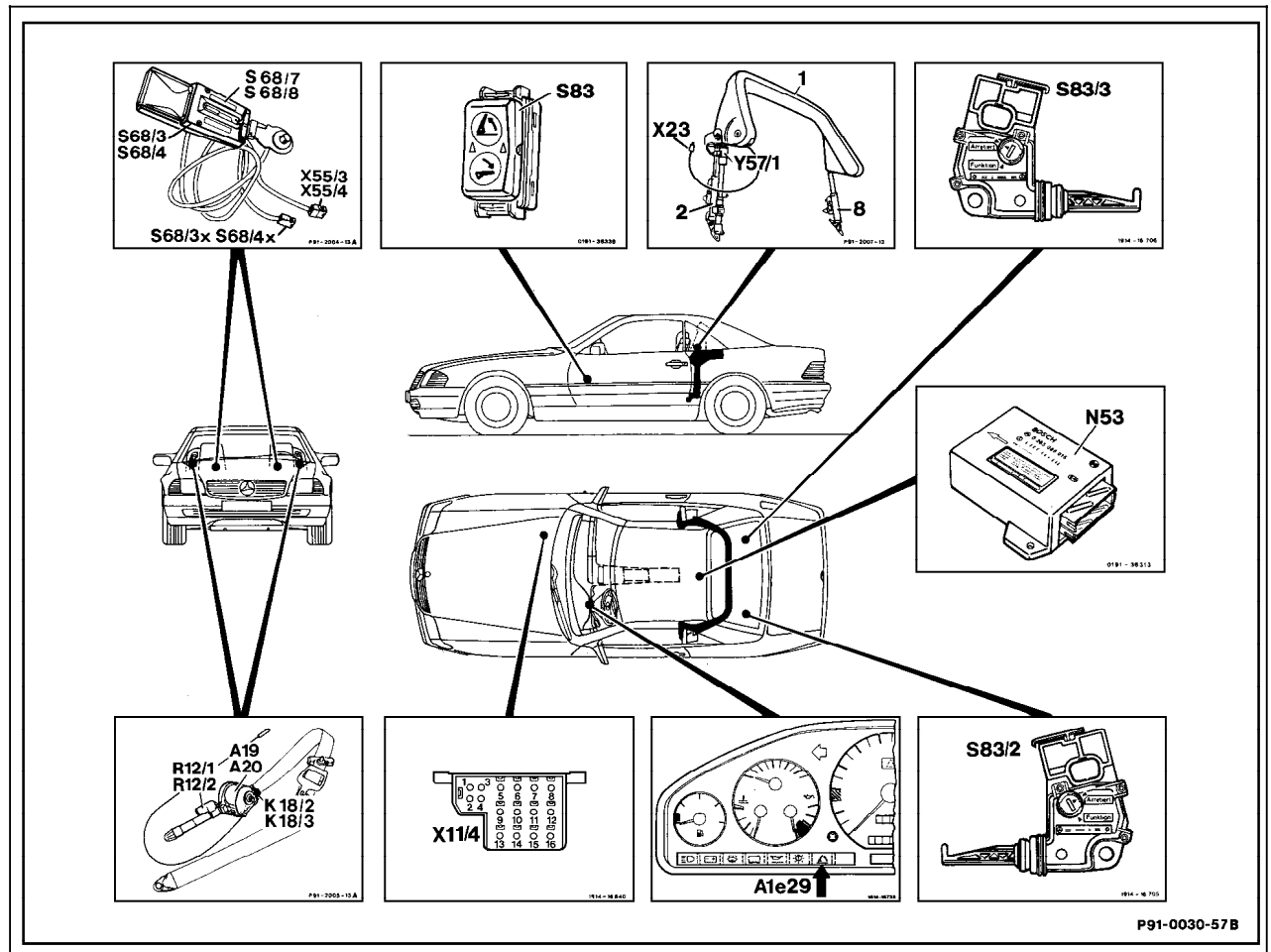


## Electrican test programm

## Component locations

Figure 1

- A1e29 Roll bar warning lamp
- A19 Left seat belt unit
- A20 Right seat belt unit
- K18/2 Driver seat belt lock relay
- K18/3 Passenger seat belt lock relay
- N53 Roll bar control unit
- R12/1 Left front emergency tensioning retractor (ETR) squib
- R12/2 Right front emergency tensioning retractor (ETR) squib
- S68/7 Driver seat belt buckle switch (belt latch)
- S68/8 Front passenger seat belt buckle switch (belt latch)
- S83 Roll bar switch (manual operation)
- S83/2 Left rear axle switch, roll bar
- S83/3 Right rear axle switch, roll bar
- X11/4 Test connection for diagnosis (impulse readout 16-pole)
- X23 Connector, roll bar solenoid valve (2-pole)
- X55/3 Contact strip, left seat
- X55/4 Contact strip, right seat
- Y57/1 Roll bar deployment solenoid



P91-0030-57B