

Electrical Test Program – Component Locations

Components Location in Passenger  
Compartment  
Shown on Model 210

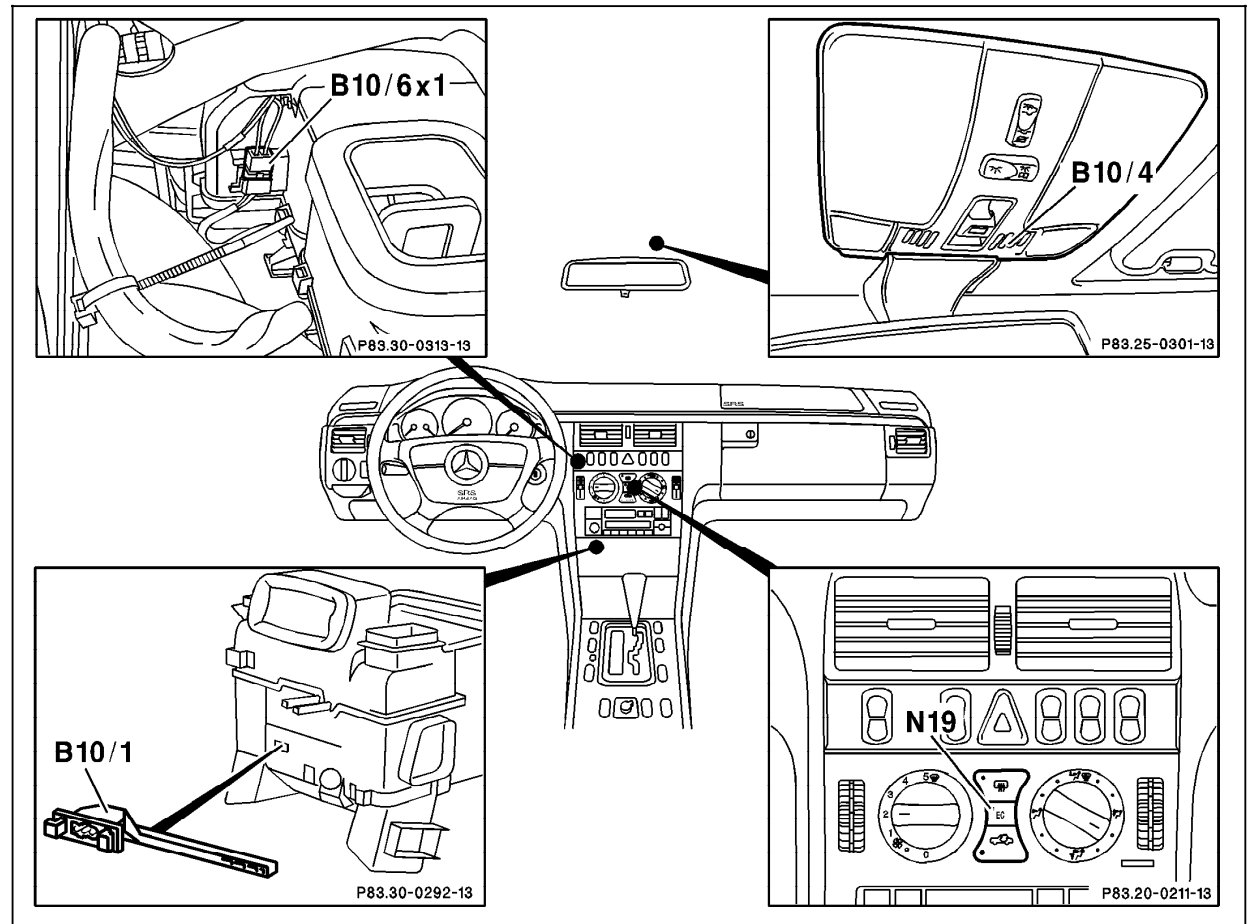


Figure 1

- B10/1 Heater core temperature sensor
- B10/4 In-car temperature sensor
- B10/6x1 Evaporator temperature sensor connector
- N19 A/C pushbutton control module

P83.30-0359-06

Electrical Test Program – Component Locations

Components Location in Engine Compartment

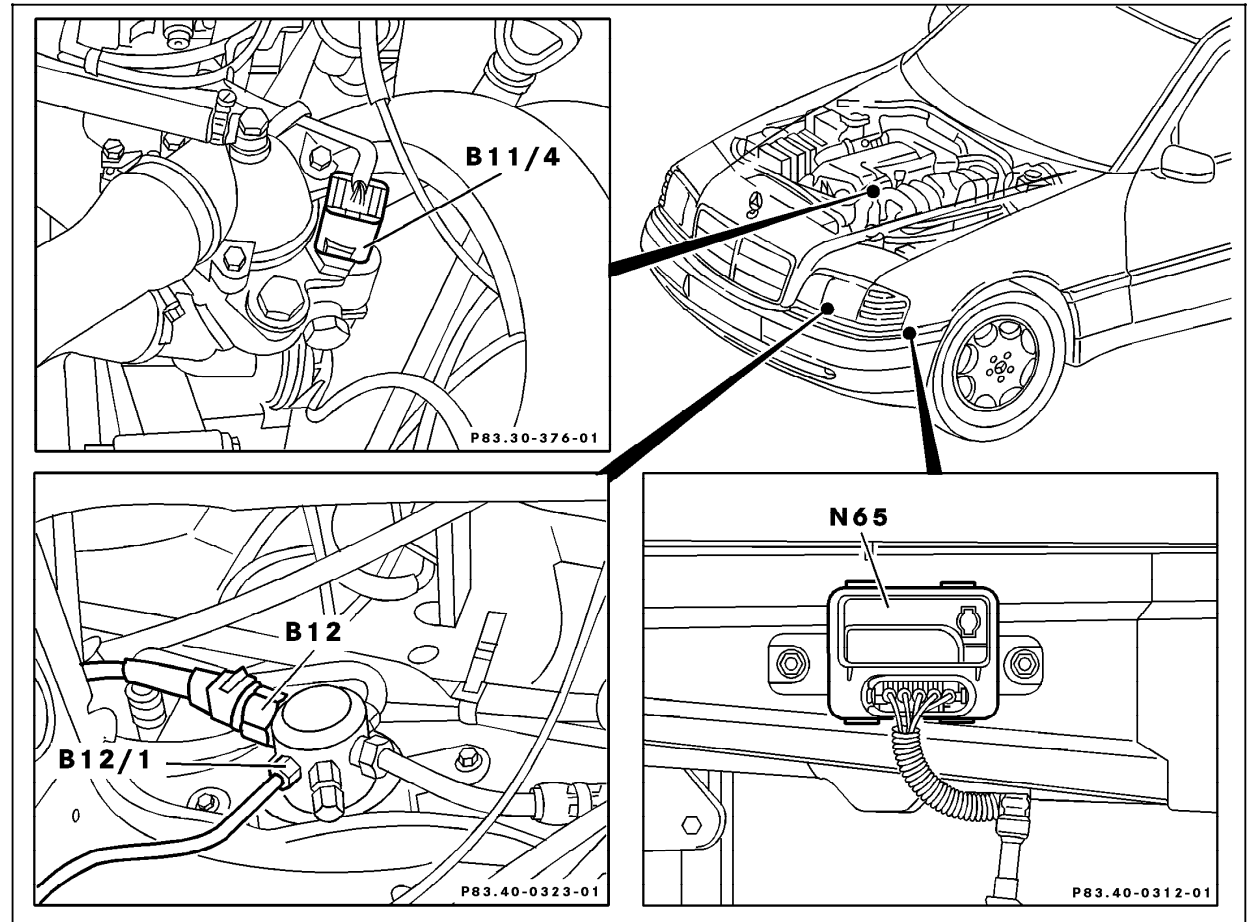


Figure 2

- B11/4 ECT sensor
- B12 Refrigerant pressure sensor
- B12/1 Refrigerant temperature sensor (with automatic A/C only)
- N65 Pulse module (traction systems, HCS, ATA, AAC)

P83.40-0324-06