

**Electrical Test Program - Preparation for Test**

Preliminary work:

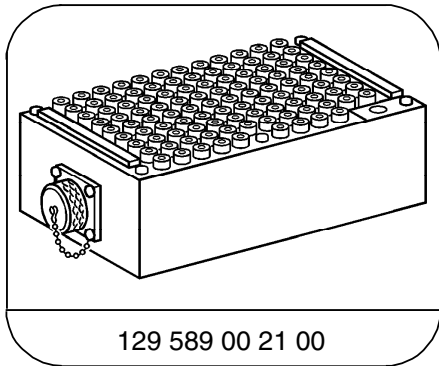
Diagnosis - Diagnostic Trouble Code (DTC) Memory ..... 11

1. Ignition: **OFF**
2. Remove plastic cover.
3. Remove ASD control module.
3. Connect socket box with test cable according to connection diagram (Figures 1-5).

**Electrical Wiring Diagrams:**

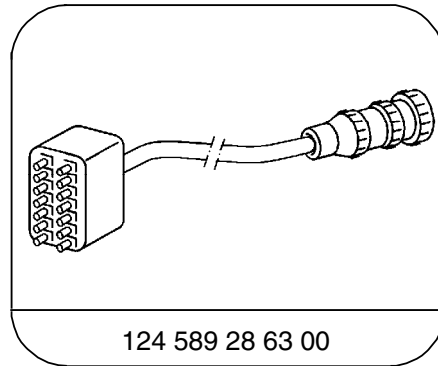
Electrical Troubleshooting Manual, Model 124,  
 Electrical Troubleshooting Manual, Model 129,  
 Electrical Troubleshooting Manual, Model 201,  
 Electrical Troubleshooting Manual, Model 202.

**Special Tools**



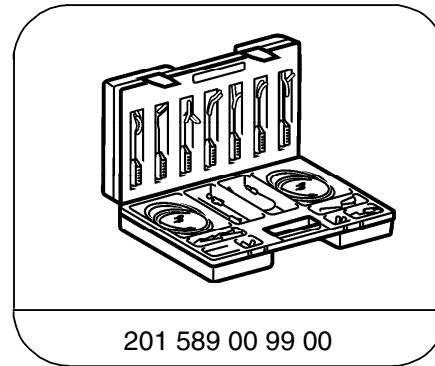
129 589 00 21 00

126-pin socket box



124 589 28 63 00

Test cable



201 589 00 99 00

Electrical connecting set

**Equipment**

Multimeter <sup>1)</sup>

Fluke models 23, 83, 85, 87

<sup>1)</sup> Available through the MBUSA Standard Equipment Program.

Electrical Test Program - Preparation for Test

Connection Diagram - Socket Box  
Model 124 (up to 09/92 production)

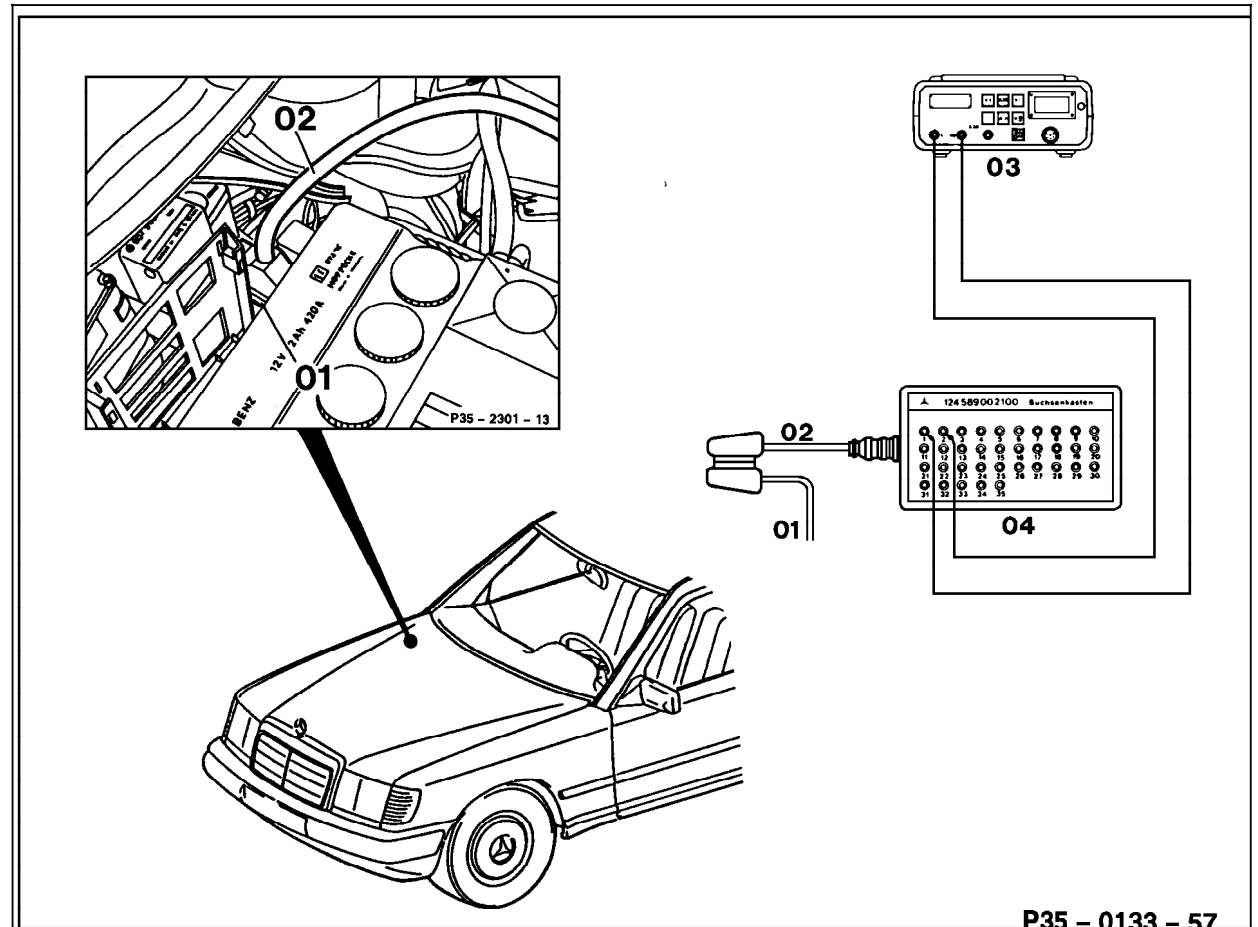


Figure 1

- 01 ASD control module connector
- 02 Test cable
- 03 Multimeter
- 04 Socket box

P35-0133-57

Electrical Test Program - Preparation for Test

Connection Diagram - Socket Box  
Model 124 (as of 10/92 production)

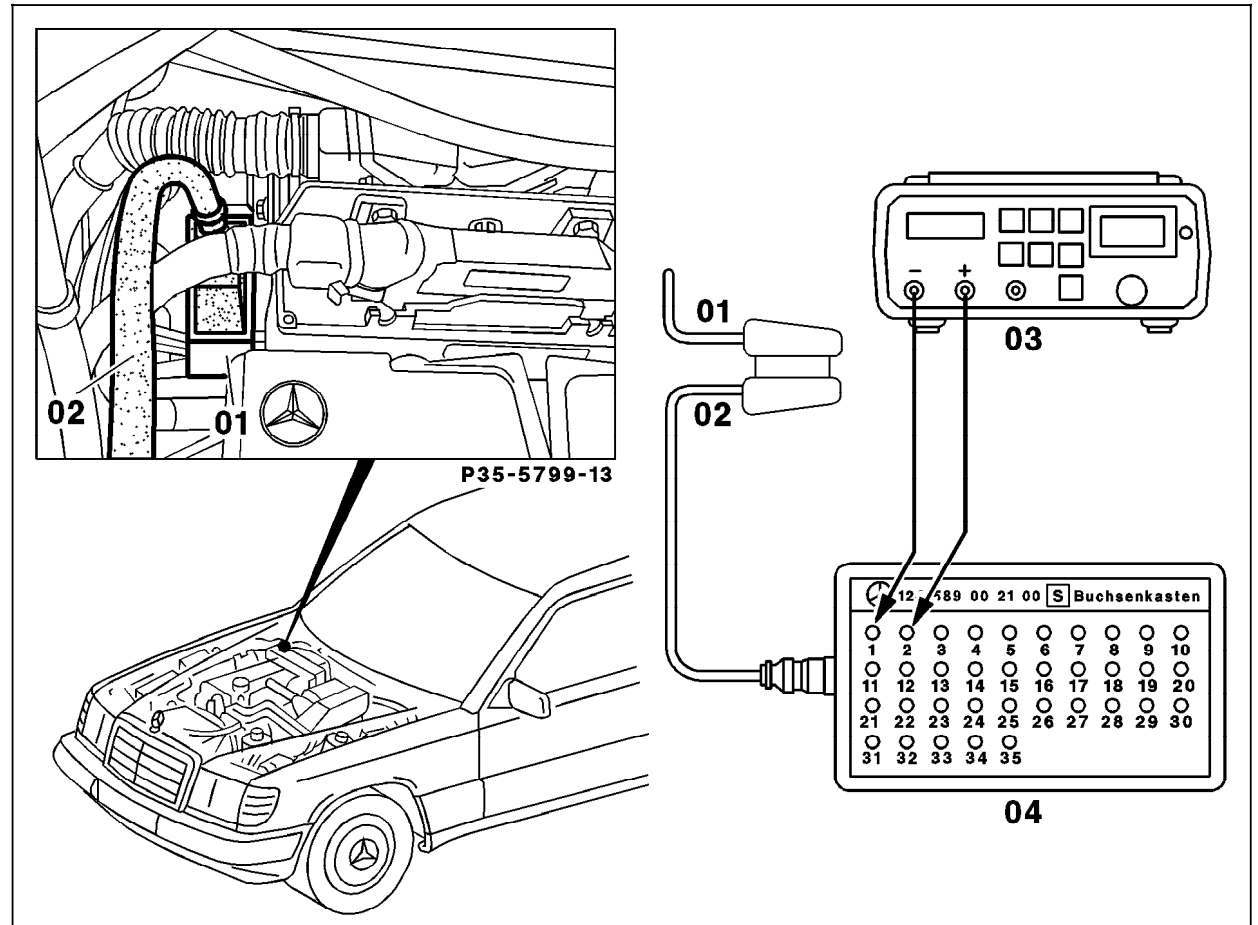
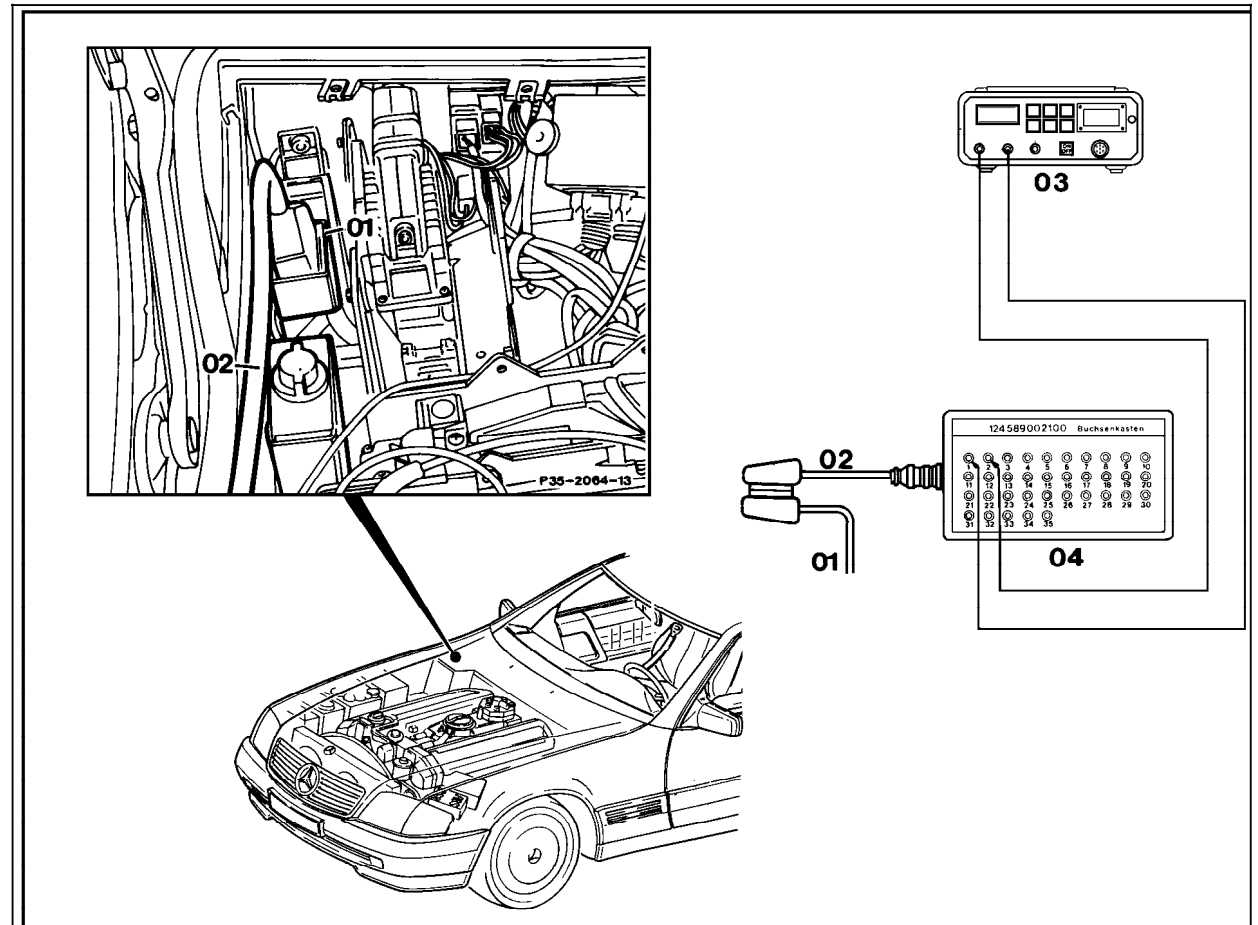


Figure 2

- 01 ASD control module connector
- 02 Test cable
- 03 Multimeter
- 04 Socket box

Electrical Test Program - Preparation for Test

Connection Diagram - Socket Box  
Model 129



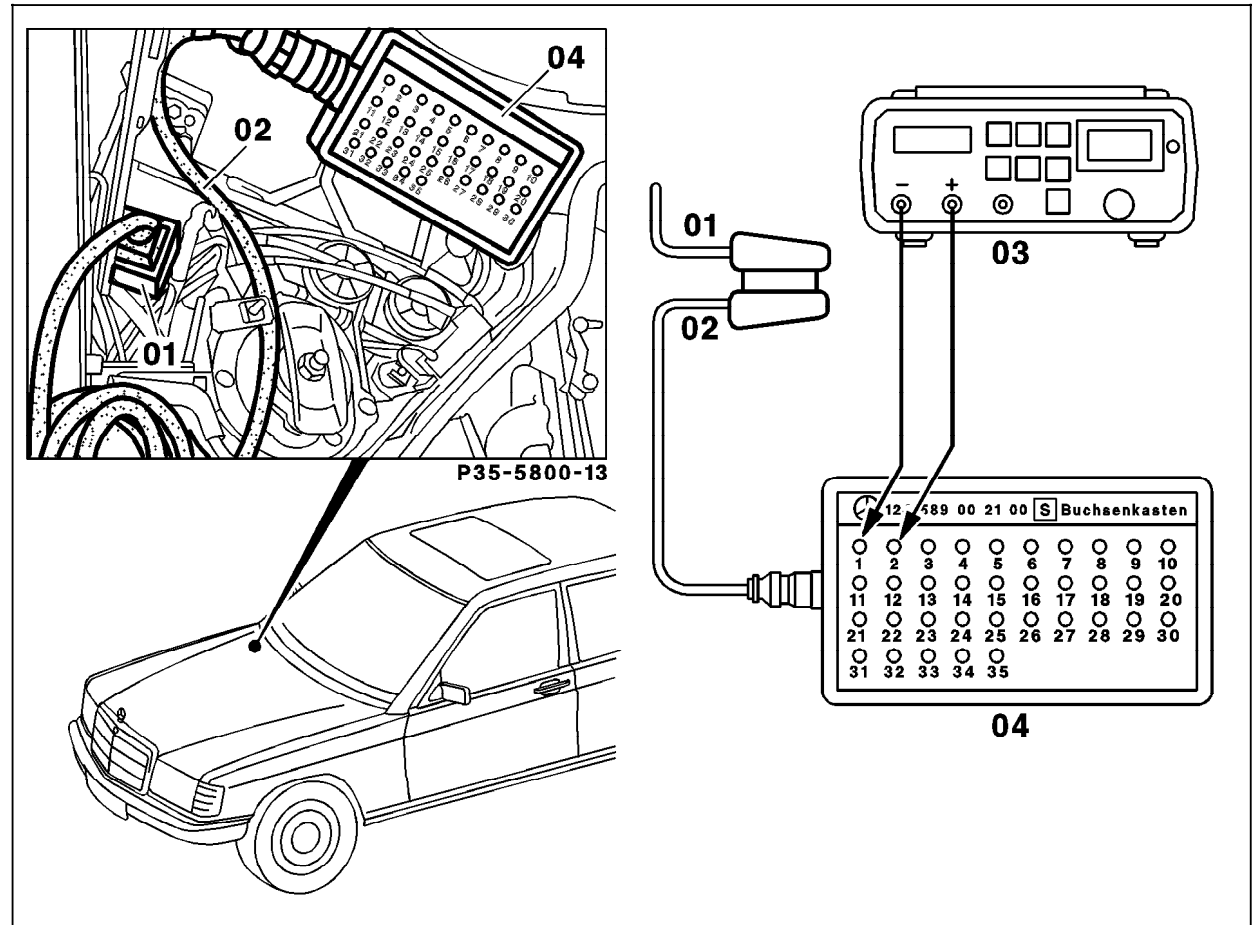
P35-0042-57

Figure 3

- 01 ASD control module connector
- 02 Test cable
- 03 Multimeter
- 04 Socket box

Electrical Test Program - Preparation for Test

Connection Diagram - Socket Box  
Model 201



P35-5781-57

Figure 4

- 01 ASD control module connector
- 02 Test cable
- 03 Multimeter
- 04 Socket box

Electrical Test Program - Preparation for Test

Connection Diagram - Socket Box  
Model 202

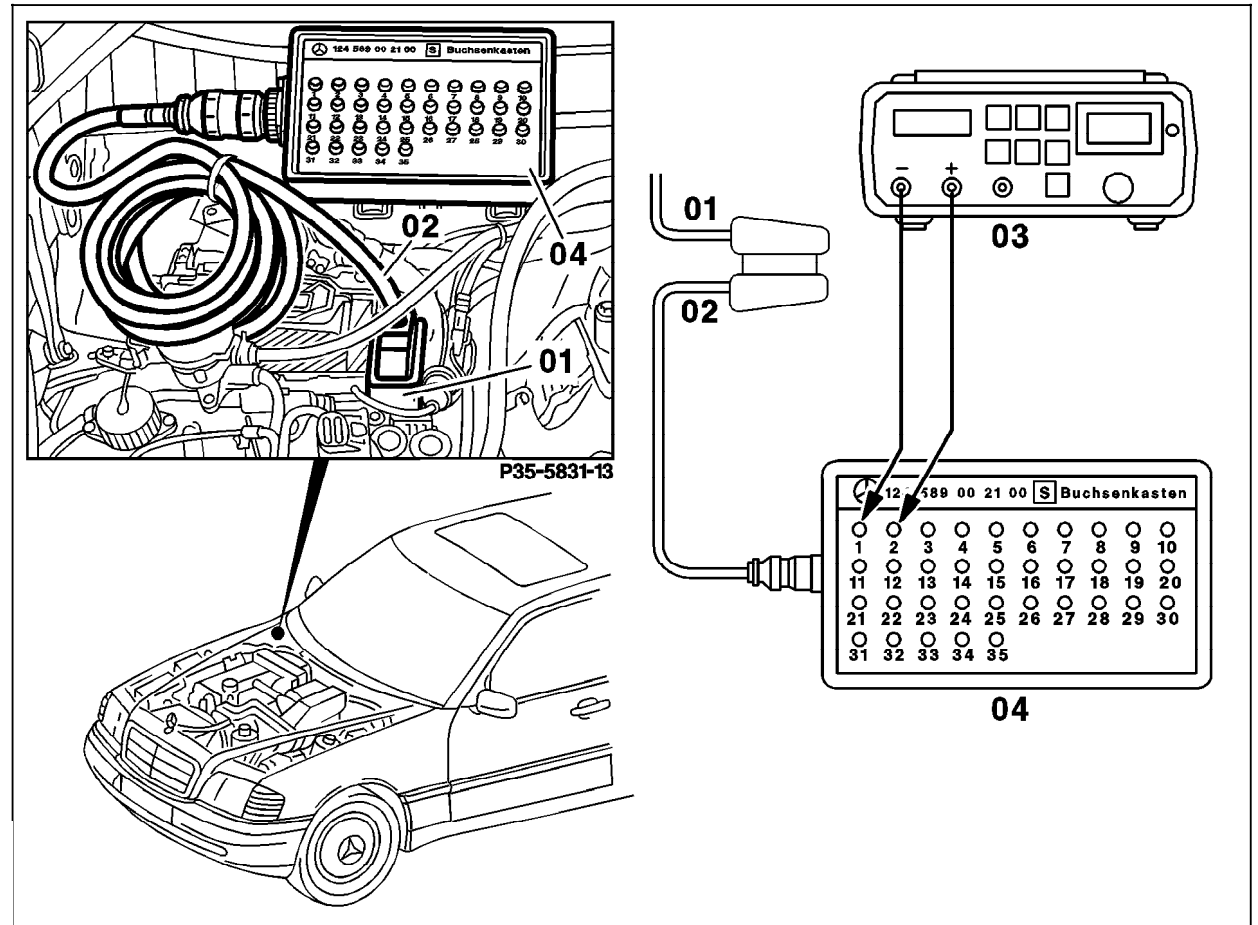


Figure 5

- 01 ASD control module connector
- 02 Test cable
- 03 Multimeter
- 04 Socket box

P35-5783-57