

Mechanical Test Program - Component Locations

Component Locations

(Model 129 shown)

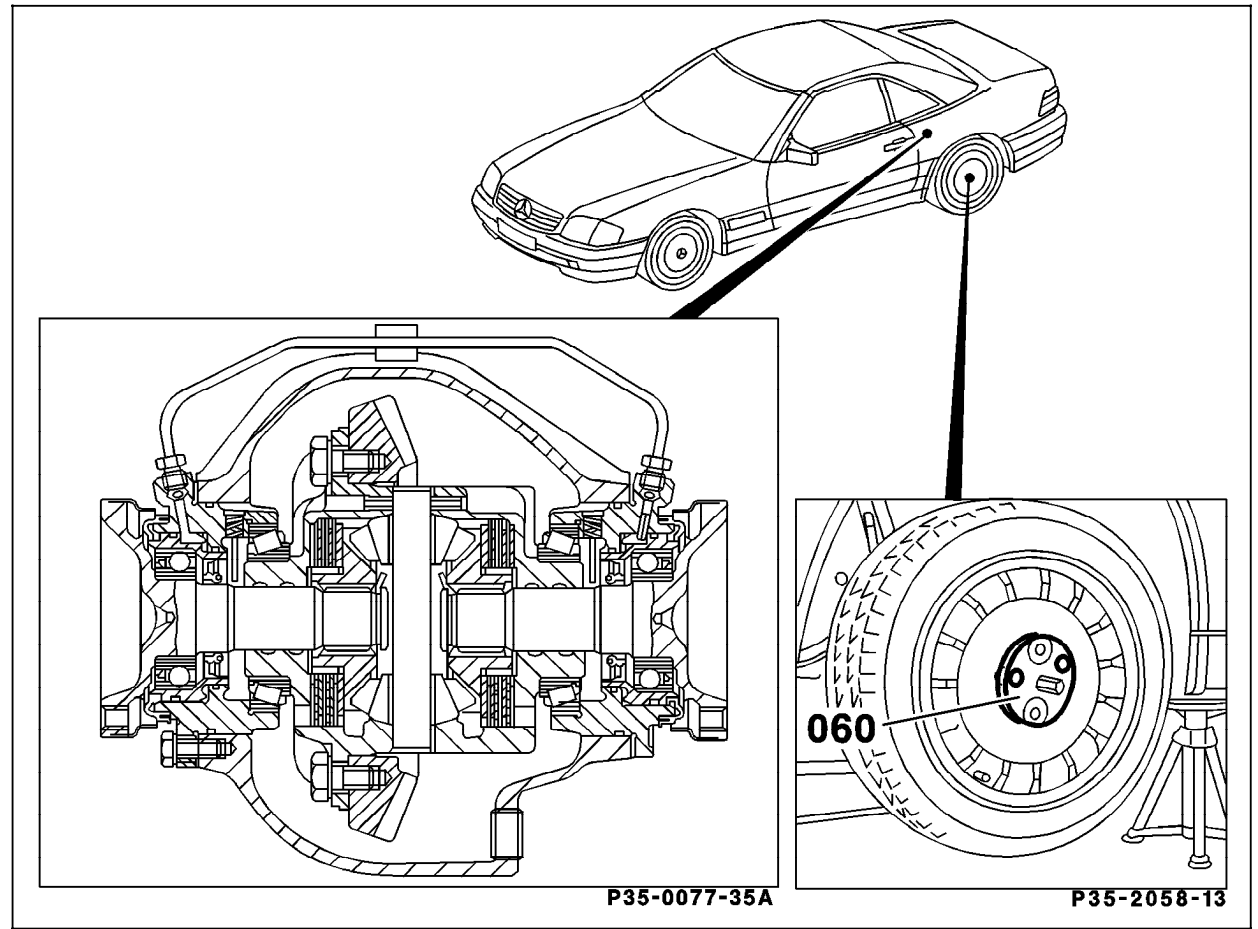


Figure 1

060 Frictional torque measurement adaptor plate

P35-5824-57