

Electrical Test Program – Illustrations

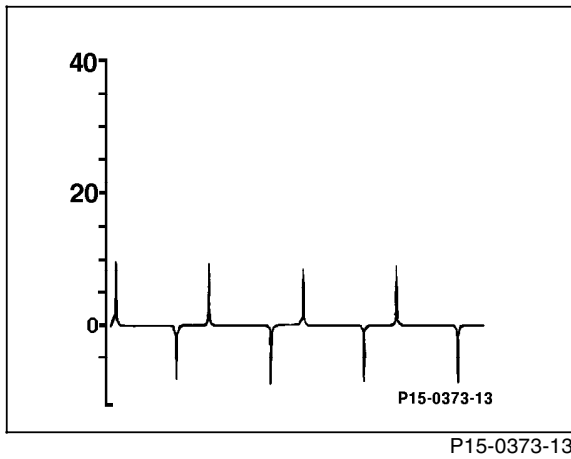


Figure 1
Engine 104
CKP sensor (L5) signal

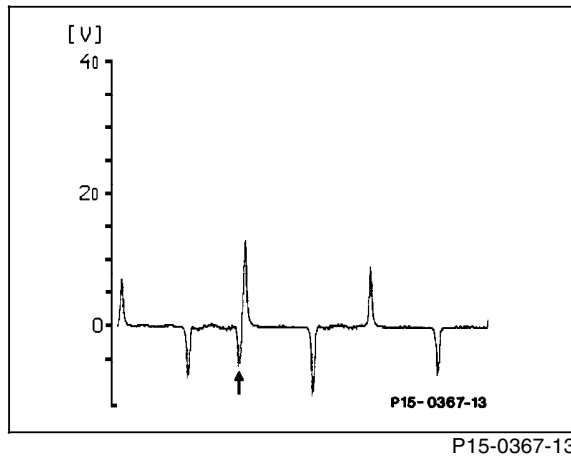


Figure 2
Engine 119
CKP sensor (L5) signal (arrow, magnet)

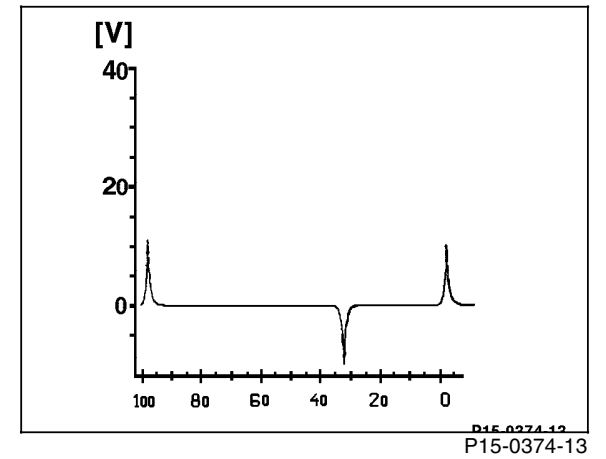


Figure 3
CMP sensor (L5/1) signal

Electrical Test Program – Illustrations

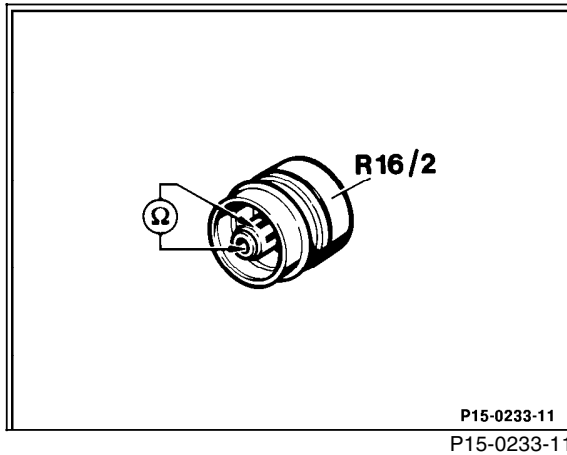


Figure 4

R16/2 Reference resistor (DI)

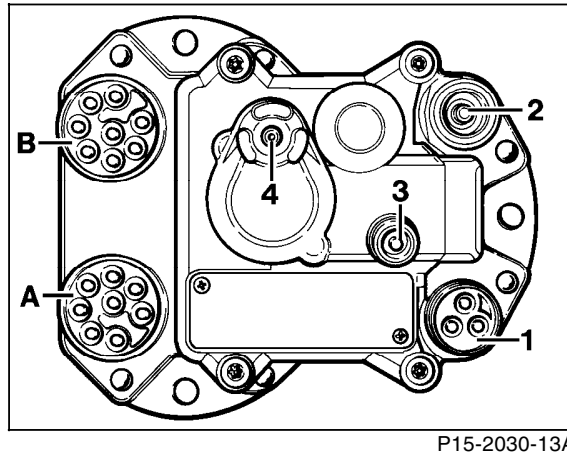


Figure 5

- 1 Connection for knock sensor (A16)
- 2 Connection for CKP sensor (L5)
- 3 Connection for reference resistor (R16/2)
- 4 Vacuum connection
- A 8-pole plug connection
- B 8-pole plug connection

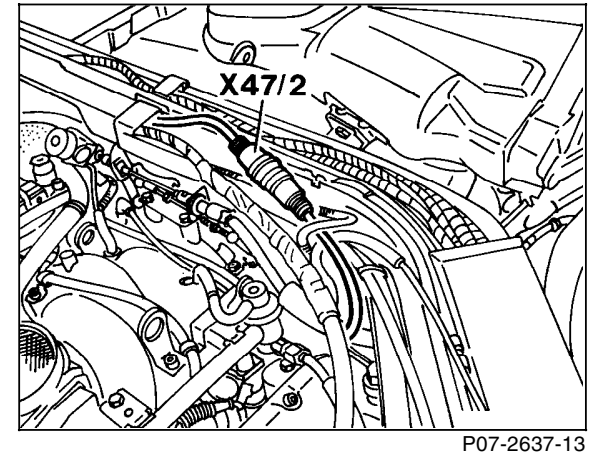


Figure 6

X47/2 CMP sensor intermediate connector

Electrical Test Program – Illustrations

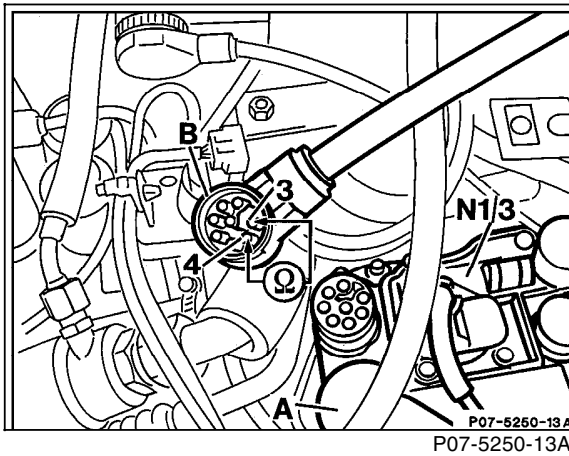


Figure 7
Model
N1/3 DI control module

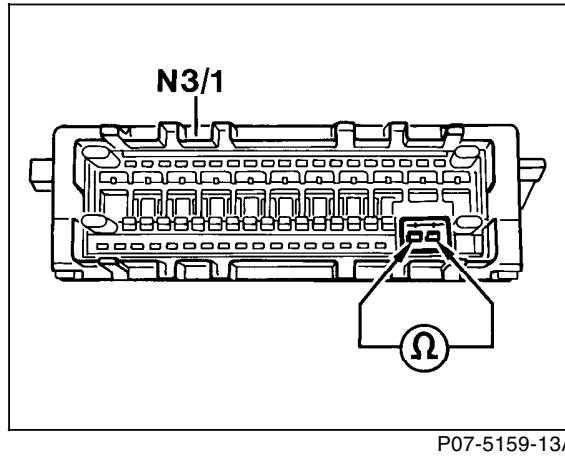


Figure 8
Model
N3/1 LH-SFI control module

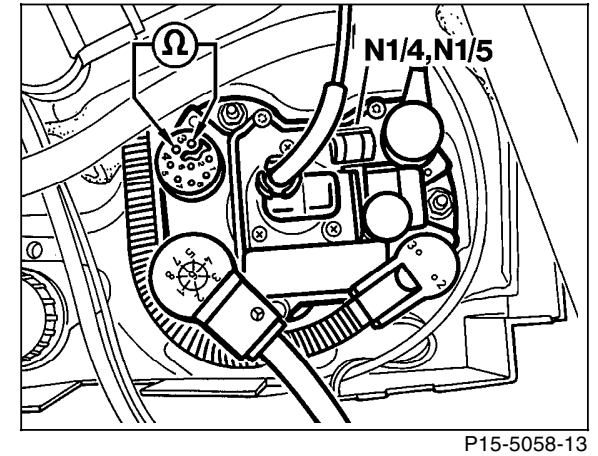


Figure 9
Model
N1/3 DI control module