

Hydraulic Test Program – Preparation for Test (Injector Test)

Preparation for Test

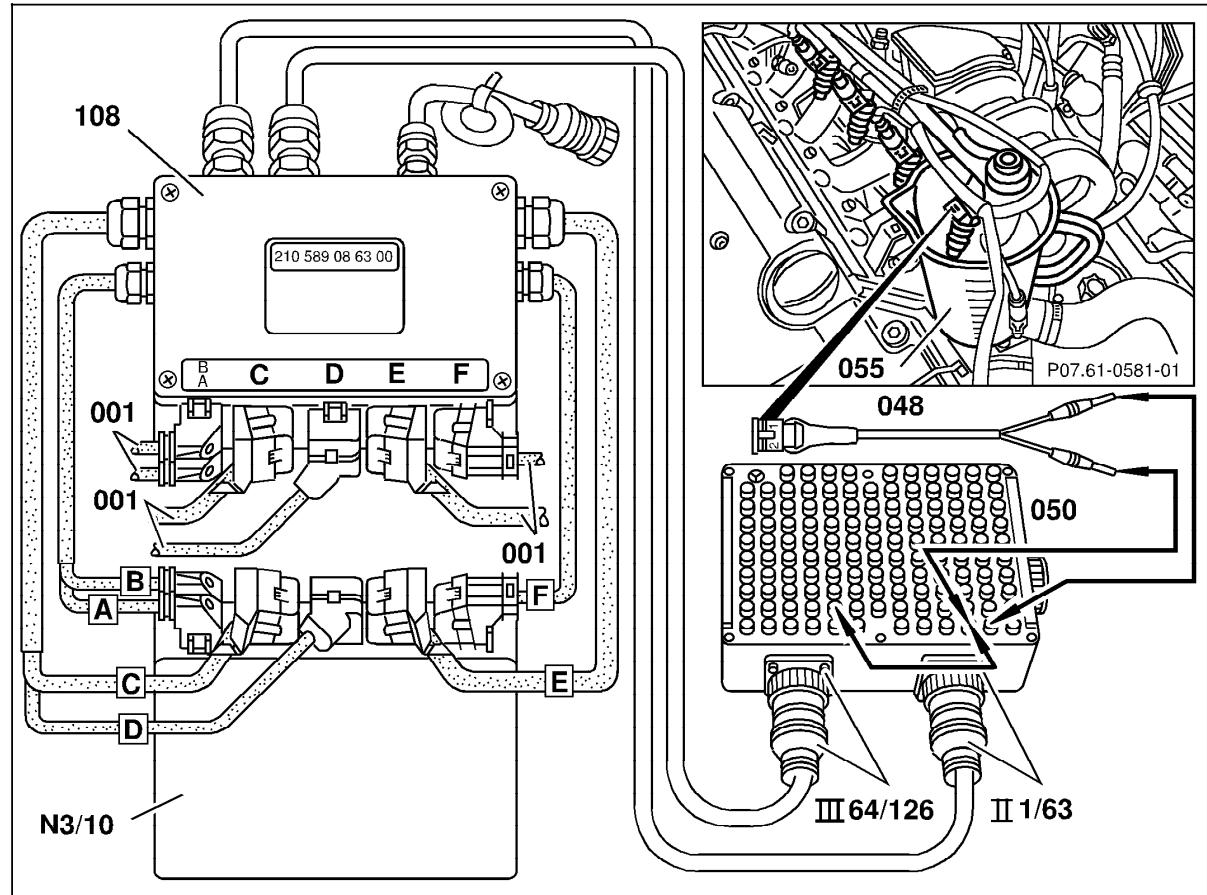
1. Review **WARNING!** on pages 11/1 and 11/2,
2. Review section 0,
2. Review 11,
3. Review WS58.50-P-0761-01A and fabricate test harness (048) (Figure 1), also see 35/2.
4. Connect socket box tester to engine control module (N3/10).
5. Disconnect 2-pole connectors on injectors.
6. Remove fuel rail with injectors, thereby **not** disconnecting the fuel feed and return lines.
7. Connect self-made harness (048) to each injector one after another.
8. Hold each injector in measuring glass one after another.

Note:

When disconnecting the connectors on the engine control module remove center connector (D) first, when reconnecting connectors install center connector (D) last.

Figure 1

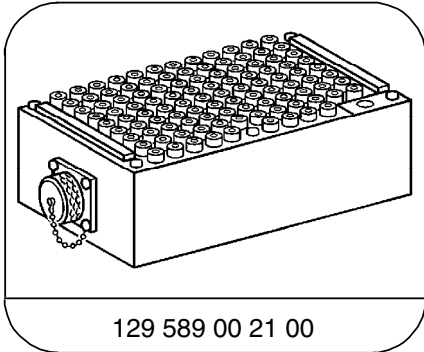
- 001 Engine control module connectors
- 048 Self made harness
- 050 Socket box tester, 126 pole
- 055 Measuring glass
- 108 Test cable
- N3/10 Engine control module (ME-SFI)
- A-F Connectors
- III64/126 and II1/63:
Connector description on socket box and test cables



P07.61-0269-06

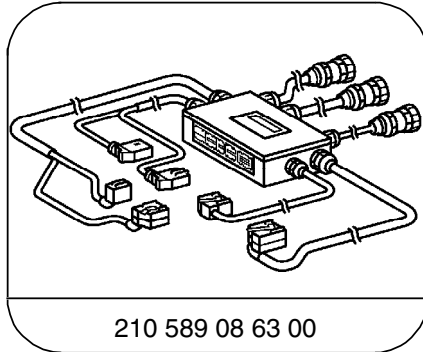
Hydraulic Test Program – Preparation for Test (Injector Test)

Special Tools



129 589 00 21 00

126-pin socket box



210 589 08 63 00

145-pin test cable

Test equipment; See MBUSA Standard Service Equipment Program

| Description | Brand, model, etc. |
|-----------------------------------|-------------------------------------|
| Digital multimeter | Fluke models 23, 77 III, 83, 85, 87 |
| Measuring glass (1 liter minimum) | Local purchase |

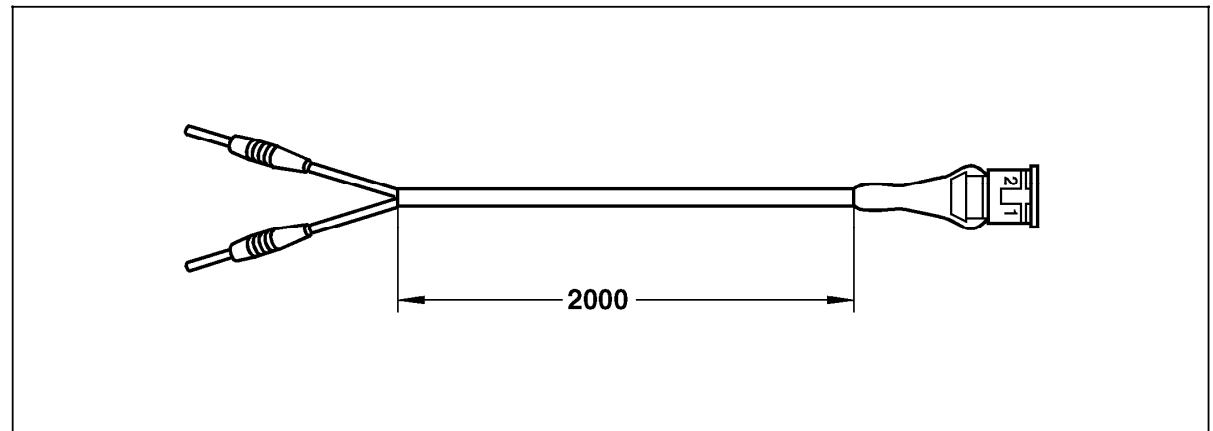
Hydraulic Test Program – Preparation for Test (Injector Test)

Self made harness

Consists of:

- 1x Connector (140 545 35 28)
- 2x Contact spring (004 545 56 26)
- 1x Banana plug (red)
- 1x Banana plug (black)
- 2.2m Wire (red, 1.5 mm)
- 2.2m Wire (brown, 1.5 mm)
- 2.2m Harness tubing (6mm diameter)

Connector layout
1=red
2=brown



P07.61-0541-10