

Electric Test Program – Preparation for Test

1. Battery voltage 11 – 14 V.
2. Check fuses.
3. All systems functional.

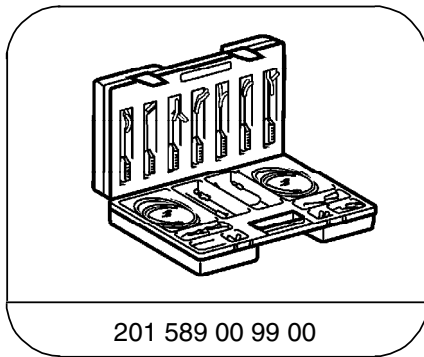
Electrical wiring diagrams:

Refer to Workshop Information System (WIS)

Caution:

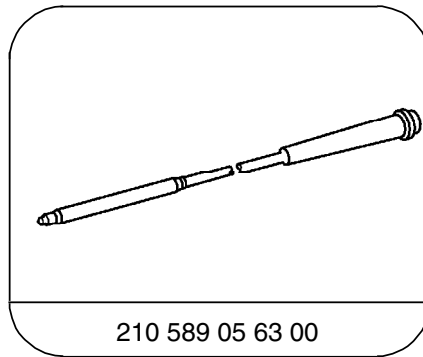
To prevent damage to the control modules, the connectors on the control modules must only be removed or connected with the ignition **OFF**.

Special Tools



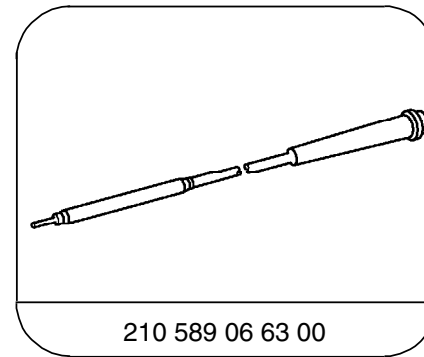
201 589 00 99 00

Electrical connecting set



210 589 05 63 00

Adapter cable



210 589 06 63 00

Adapter cable

Conventional tools, test equipment

Description	Brand, model, etc.
Multimeter	Fluke models ¹⁾ 23, 78, 87, 88, 98 II

¹⁾ Available through the MBUSA Standard Service Equipment Program.