

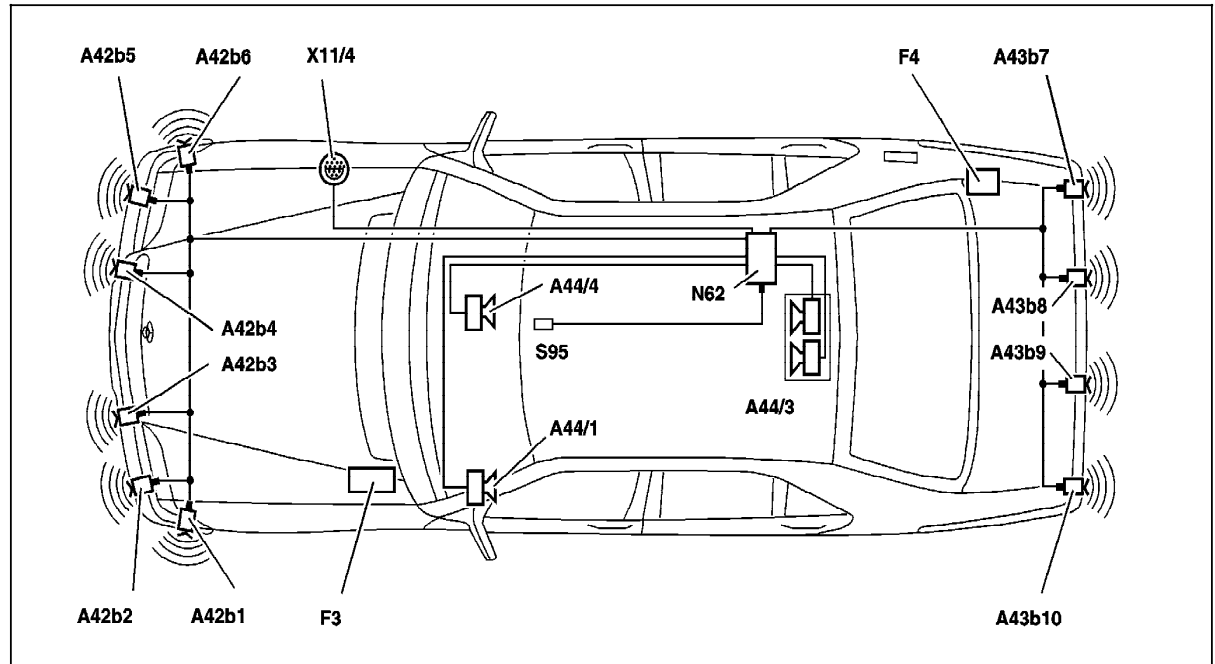
Electrical Test Program – Component Locations

- A42b1 Left outer sensor
- A42b2 Left center sensor
- A42b3 Left inner sensor
- A42b4 Right inner sensor
- A42b5 Right center sensor
- A42b6 Right outer sensor

- A43b7 Right outer sensor
- A43b8 Right inner sensor
- A43b9 Left inner sensor
- A43b10 Left outer sensor

- A44/1 PTS warning indicator (left instrument panel air outlet)
- A44/3 PTS warning indicator (rear dome lamp)
- A44/4 PTS warning indicator (center instrument panel air outlet)

- F3 Fuse box (35 fuse, in fuse and relay box F1)
- F4 Fuse box in trunk (17 fuse)
- N62 Ultrasonic PTS control module
- S95 PTS on/off switch
- X11/4 Data link connector DTC readout



P54.65-0234-09

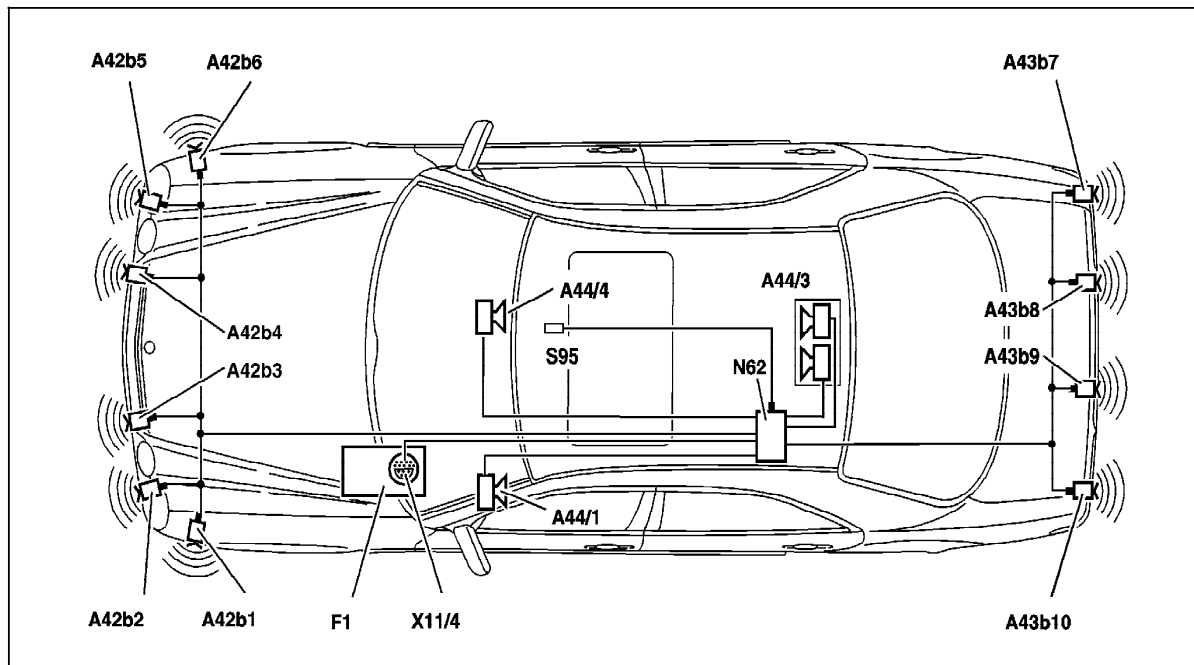
Electrical Test Program – Component Locations

- A42b1 Left outer sensor
- A42b2 Left center sensor
- A42b3 Left inner sensor
- A42b4 Right inner sensor
- A42b5 Right center sensor
- A42b6 Right outer sensor

- A43b7 Right outer sensor
- A43b8 Right inner sensor
- A43b9 Left inner sensor
- A43b10 Left outer sensor

- A44/1 PTS warning indicator (left instrument panel air outlet)
- A44/3 PTS warning indicator (rear dome lamp)
- A44/4 PTS warning indicator (center instrument panel air outlet)

- F1 Fuse and relay box
- N62 Ultrasonic PTS control module
- S95 PTS on/off switch
- X11/4 Data link connector DTC readout



P54.65-0235-09